

### YASMEEN-70-ZOOM

Infinitely adjustable beam from 15 to 45 degrees.  
Assembly with holder C (LEDiL HEKLA) and B  
(BJB and B+W). Black and white versions.

#### SPECIFICATION:

Dimensions	Ø 70.0 mm
Height	39 mm
Fastening	socket
ROHS compliant	yes ⓘ

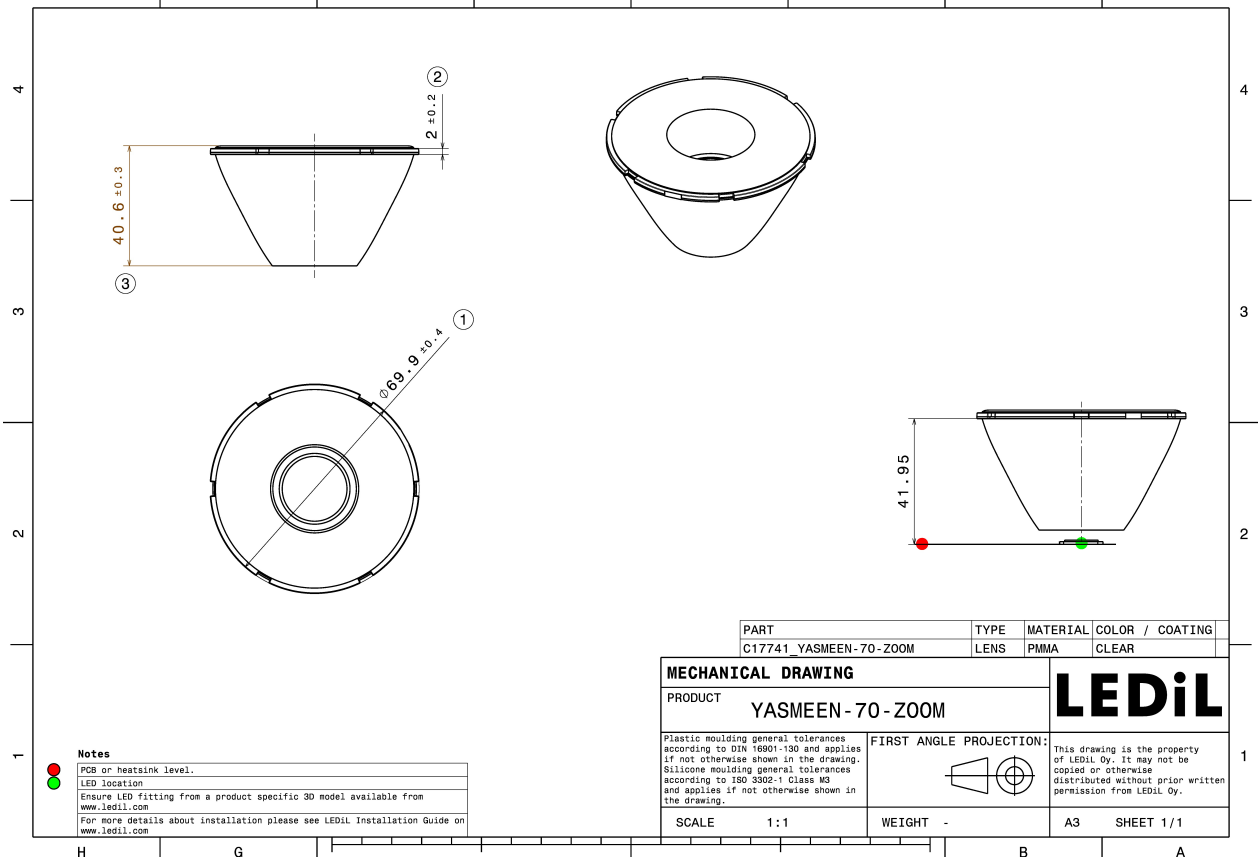
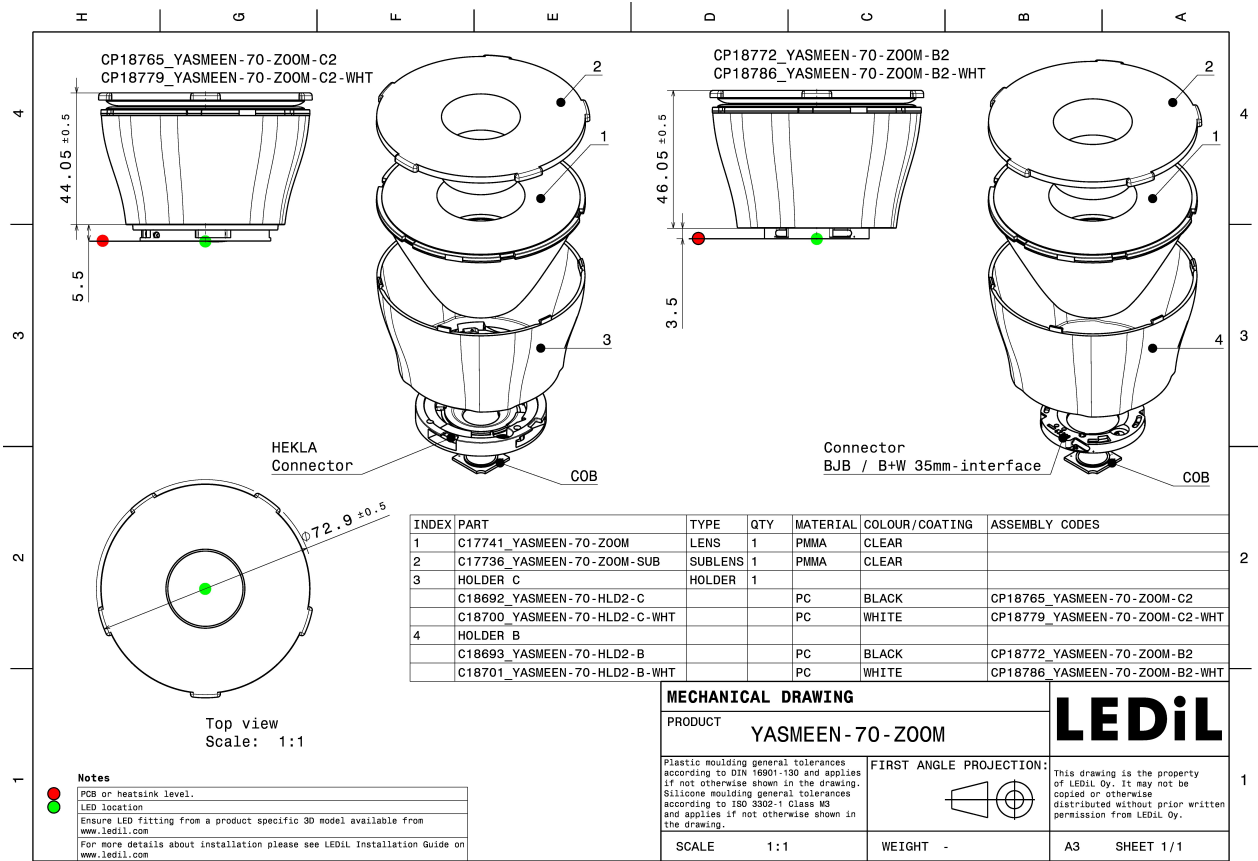


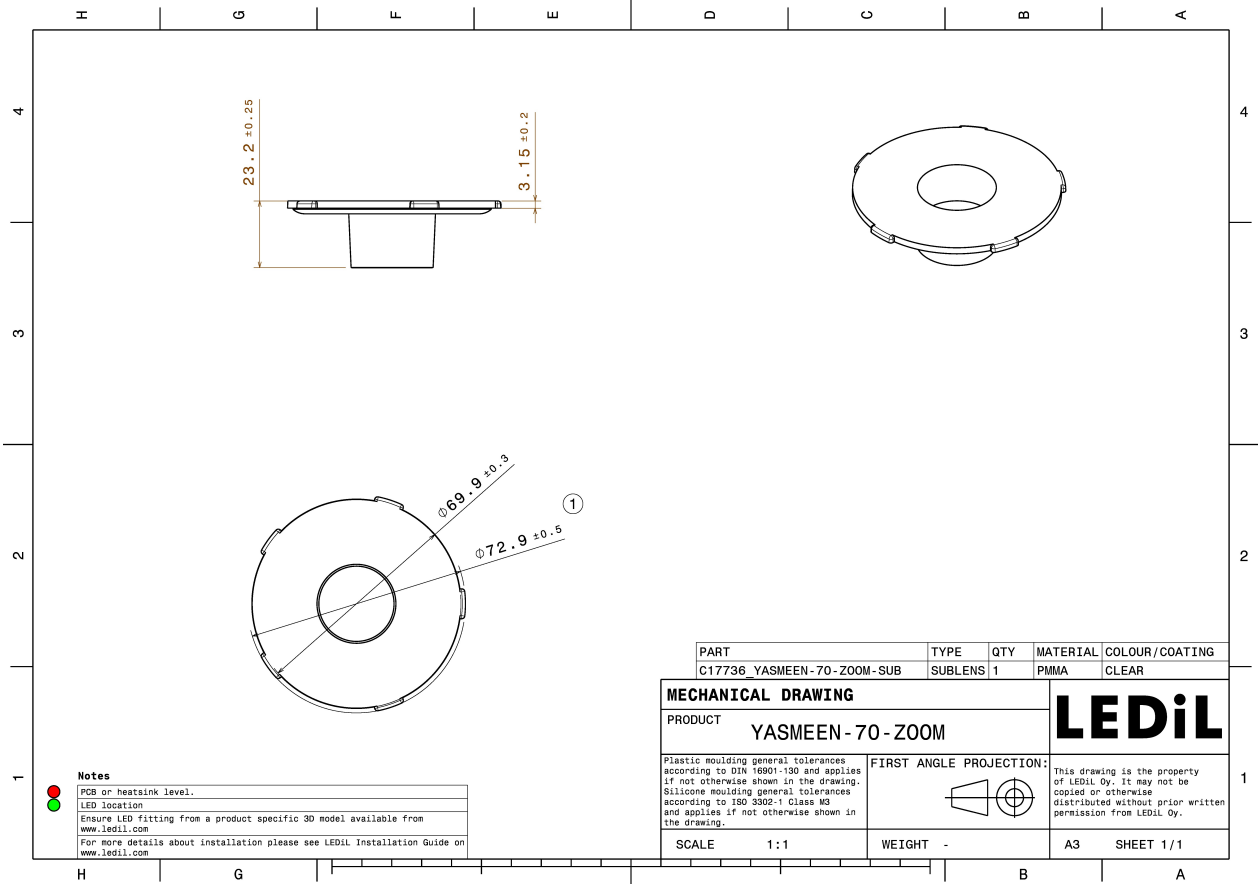
#### MATERIALS:

Component	Type	Material	Colour	Finish
YASMEEN-70-ZOOM	Single lens	PMMA		
YASMEEN-70-ZOOM-SUB	Sublens	PMMA		
YASMEEN-70-HLD2-C	Holder C	PC	black	
YASMEEN-70-HLD2-B	Holder B	PC	black	
YASMEEN-70-HLD2-C-WHT	Holder C	PC	white	
YASMEEN-70-HLD2-B-WHT	Holder B	PC	white	

### ORDERING INFORMATION:

Component	Qty in box	MOQ	MPQ	Box weight (kg)
C17741_YASMEEN-70-ZOOM	105	105	15	8.8
C17736_YASMEEN-70-ZOOM-SUB	105	105	15	3.1
<b>Assembly</b>				
CP18786_YASMEEN-70-ZOOM-B2-WHT	105	105	15	10.6
CP18779_YASMEEN-70-ZOOM-C2-WHT	105	105	15	10.5
CP18772_YASMEEN-70-ZOOM-B2	105	105	15	10.6
CP18765_YASMEEN-70-ZOOM-C2	105	105	15	10.5



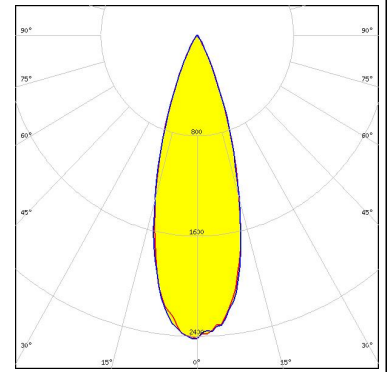


See also our general installation guide: [www.ledil.com/installation\\_guide](http://www.ledil.com/installation_guide)

### OPTICAL RESULTS (SIMULATED):

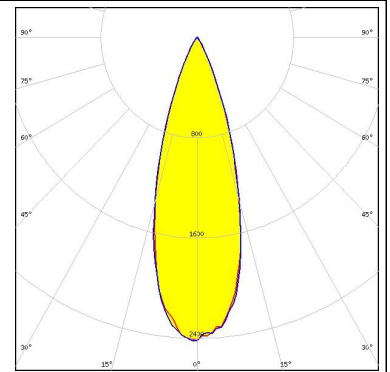
#### CITIZEN

LED CLL02x/CLU02x (LES10)  
 Ordering code CP18786\_YASMEEN-70-ZOOM-B2-WHT  
 FWHM / FWTM 17.0 + 41.0° / 34.0 + 69.0°  
 Efficiency 83 %  
 Peak intensity 6.7 cd/lm  
 LEDs/each optic 1  
 Light colour White  
 Required components:  
 BJB: 47.360.1020



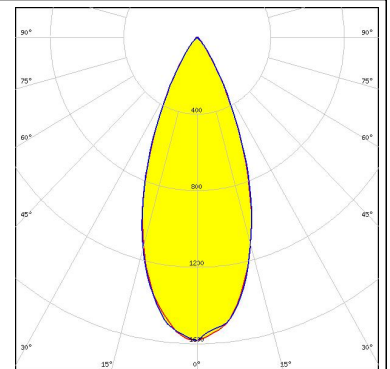
#### CITIZEN

LED CLL02x/CLU02x (LES10)  
 Ordering code CP18772\_YASMEEN-70-ZOOM-B2  
 FWHM / FWTM 17.0 + 41.0° / 34.0 + 69.0°  
 Efficiency 83 %  
 Peak intensity 6.7 cd/lm  
 LEDs/each optic 1  
 Light colour White  
 Required components:  
 BJB: 47.360.1020



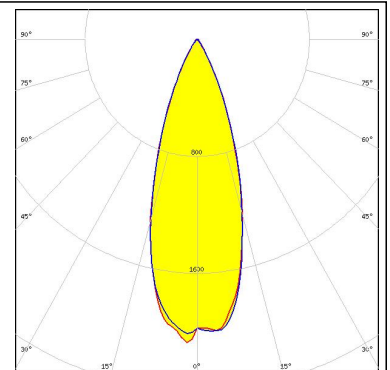
#### CREE LED

LED CMU10xx  
 Ordering code CP18772\_YASMEEN-70-ZOOM-B2  
 FWHM / FWTM 16.0 + 42.0° / 32.0 + 69.0°  
 Efficiency 85 %  
 Peak intensity 8.1 cd/lm  
 LEDs/each optic 1  
 Light colour White  
 Required components:  
 BJB: 47.360.1020



#### LUMILEDS

LED LUXEON CoB 1202/1203  
 Ordering code CP18772\_YASMEEN-70-ZOOM-B2  
 FWHM / FWTM 20.0 + 42.0° / 41.0 + 73.0°  
 Efficiency 83 %  
 Peak intensity 4.8 cd/lm  
 LEDs/each optic 1  
 Light colour White  
 Required components:  
 BJB: 47.360.1110



### OPTICAL RESULTS (SIMULATED):

#### SAMSUNG

LED	LC020T (Tunable white)
Ordering code	CP18765_YASMEEN-70-ZOOM-C2
FWHM / FWTM	18.0 + 42.0° / 36.0 + 71.0°
Efficiency	84 %
Peak intensity	6 cd/lm
LEDs/each optic	1
Light colour	White
Required components:	
	C16142_HEKLA-SOCKET-K
	Bender Wirth: 501 Typ L8

