

YASMEEN-70-RS-B2

~10° spot beam with tight cutoff. Assembly with holder B compatible with Ø35 mm BJB and B+W connectors. Black version.

SPECIFICATION:

Dimensions	Ø mm
Height	0 mm
ROHS compliant	yes ⓘ

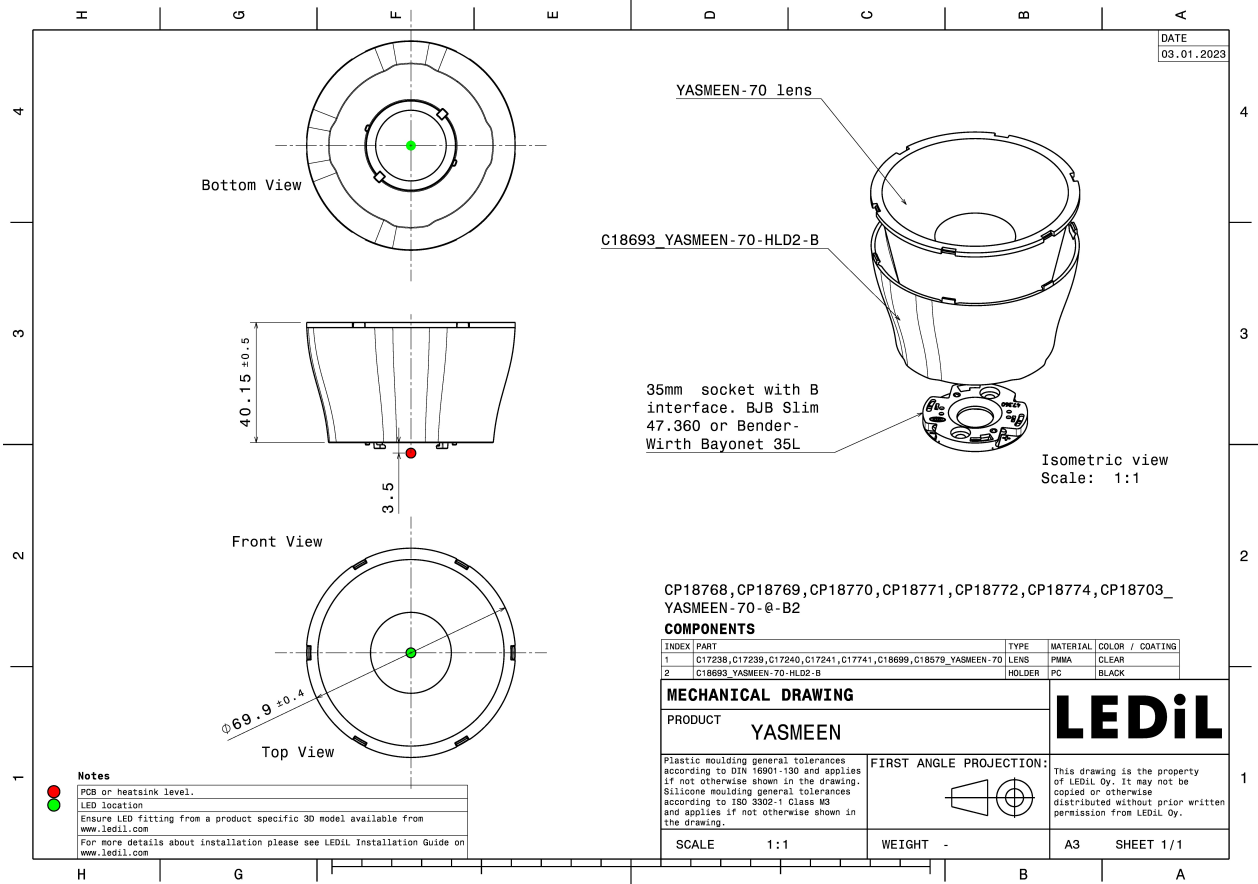


MATERIALS:

Component	Type	Material	Colour	Finish
YASMEEN-70-HLD2-B	Holder B	PC	black	
YASMEEN-70-RS	Assembly			

ORDERING INFORMATION:

Component	Qty in box	MOQ	MPQ	Box weight (kg)
CP18774_YASMEEN-70-RS-B2 » Box size: 476 x 273 x 305 mm	105	105	15	11.0

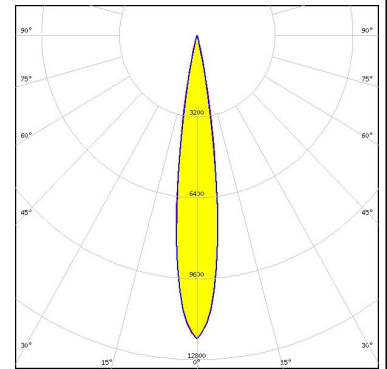


See also our general installation guide: www.ledil.com/installation_guide

OPTICAL RESULTS (SIMULATED):

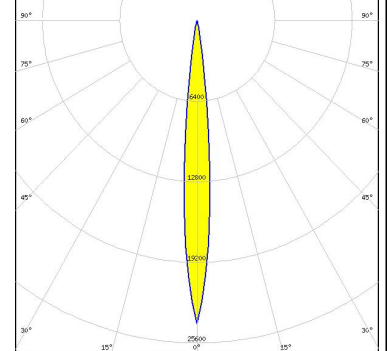
CITIZEN

LED CLL02x/CLU02x (LES10)
 FWHM / FWTM 16.0° / 26.0°
 Efficiency 90 %
 Peak intensity 12 cd/lm
 LEDs/each optic 1
 Light colour White
 Required components:
 BJB: 47.360.1020



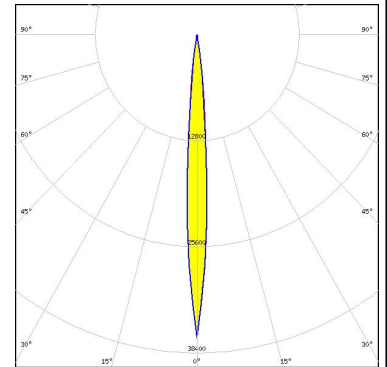
CITIZEN

LED CLU700/701/702/703
 FWHM / FWTM 10.0° / 18.0°
 Efficiency 90 %
 Peak intensity 24.1 cd/lm
 LEDs/each optic 1
 Light colour White
 Required components:
 BJB: 47.360.1020



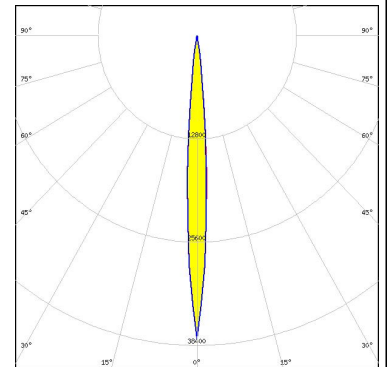
CITIZEN

LED CLU7A2/7A3
 FWHM / FWTM 8.0° / 16.0°
 Efficiency 90 %
 Peak intensity 36.6 cd/lm
 LEDs/each optic 1
 Light colour White
 Required components:
 BJB: 47.360.1020



CITIZEN

LED CLU7S3
 FWHM / FWTM 8.0° / 16.0°
 Efficiency 90 %
 Peak intensity 37.6 cd/lm
 LEDs/each optic 1
 Light colour White
 Required components:
 Bender Wirth: 667a Bayonet35



OPTICAL RESULTS (SIMULATED):

SAMSUNG

LED	LC003D / LC006D / LC009D / LC013D
FWHM / FWTM	16.0° / 26.0°
Efficiency	89 %
Peak intensity	11.1 cd/lm
LEDs/each optic	1
Light colour	White
Required components:	
BJB: 47.360.1020	

