

YASMEEN-70-RS-C2-WHT

~10° spot beam with tight cutoff. Assembly with holder C compatible with LEDiL HEKLA. White version.

SPECIFICATION:

Dimensions	Ø mm
Height	0 mm
ROHS compliant	yes ⓘ

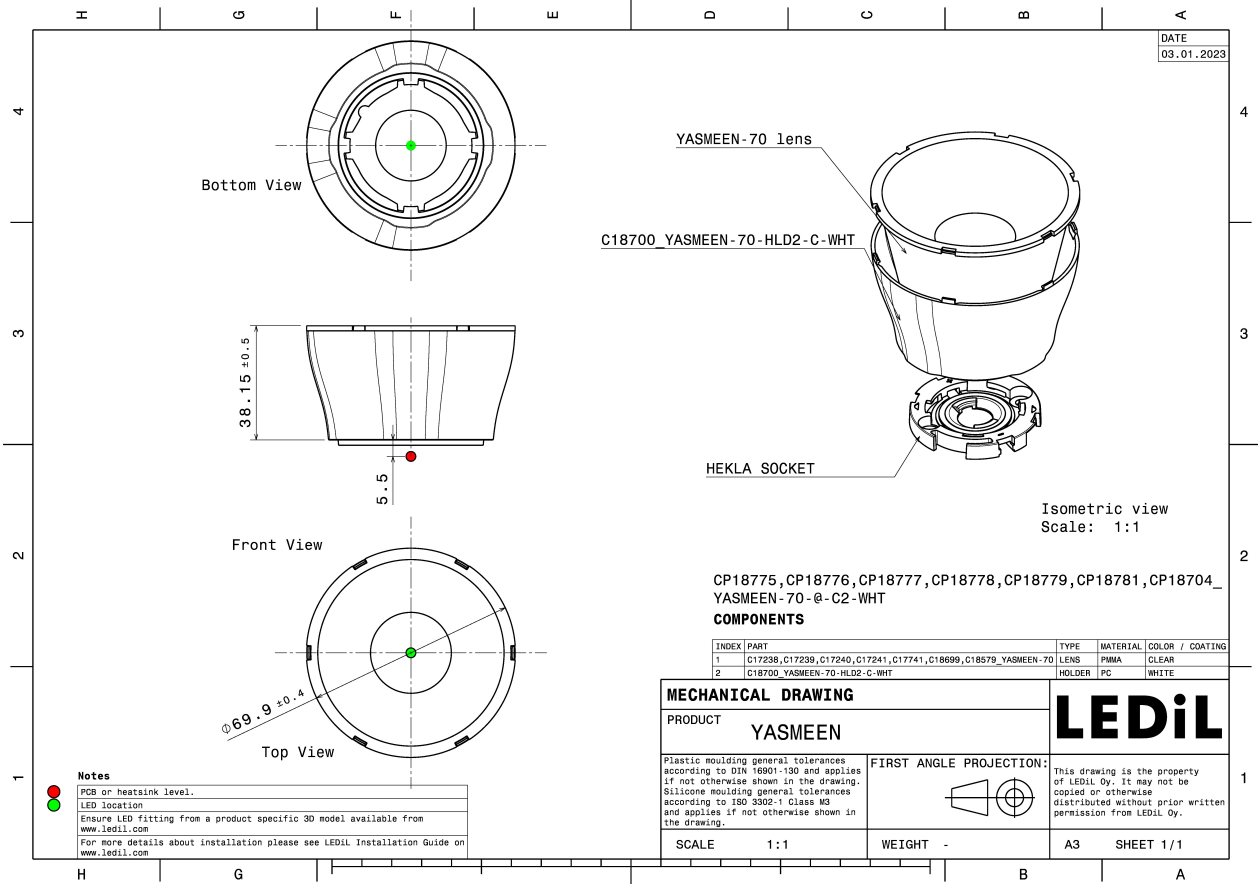


MATERIALS:

Component	Type	Material	Colour	Finish
YASMEEN-70-HLD2-C-WHT	Holder C	PC	white	
YASMEEN-70-RS	Assembly			

ORDERING INFORMATION:

Component	Qty in box	MOQ	MPQ	Box weight (kg)
CP18781_YASMEEN-70-RS-C2-WHT » Box size: 476 x 273 x 305 mm	105	105	15	10.9

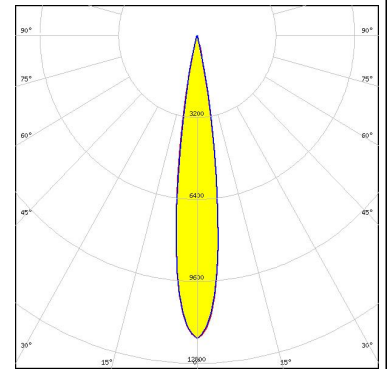


See also our general installation guide: www.ledil.com/installation_guide

OPTICAL RESULTS (SIMULATED):

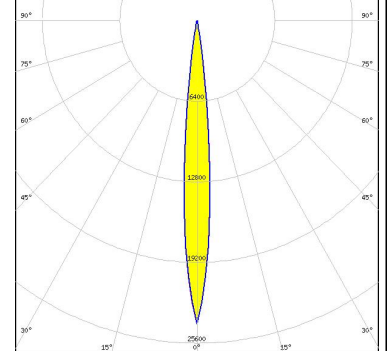
CITIZEN

LED CLL02x/CLU02x (LES10)
 FWHM / FWTM 16.0° / 26.0°
 Efficiency 93 %
 Peak intensity 11.8 cd/lm
 LEDs/each optic 1
 Light colour White
 Required components:
 F17435_HEKLA-G2-C



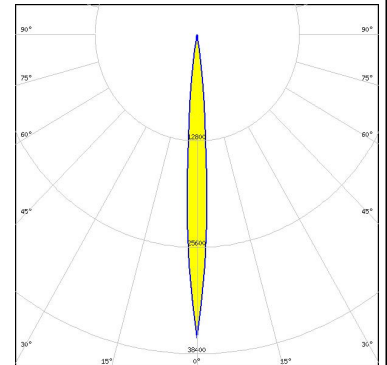
CITIZEN

LED CLU700/701/702/703
 FWHM / FWTM 10.0° / 18.0°
 Efficiency 93 %
 Peak intensity 24.1 cd/lm
 LEDs/each optic 1
 Light colour White
 Required components:
 F17435_HEKLA-G2-C



CITIZEN

LED CLU7A2/7A3
 FWHM / FWTM 8.0° / 16.0°
 Efficiency 93 %
 Peak intensity 36.5 cd/lm
 LEDs/each optic 1
 Light colour White
 Required components:
 F17435_HEKLA-G2-C



SAMSUNG

LED LC003D / LC006D / LC009D / LC013D
 FWHM / FWTM 16.0° / 26.0°
 Efficiency 93 %
 Peak intensity 11.2 cd/lm
 LEDs/each optic 1
 Light colour White
 Required components:
 F17435_HEKLA-G2-C

