

## YASMEEN-70-RS-B2-WHT

~10° spot beam with tight cutoff. Assembly with holder B compatible with Ø35 mm BJB and B+W connectors. White version.

### SPECIFICATION:

Dimensions	Ø mm
Height	0 mm
ROHS compliant	yes ⓘ

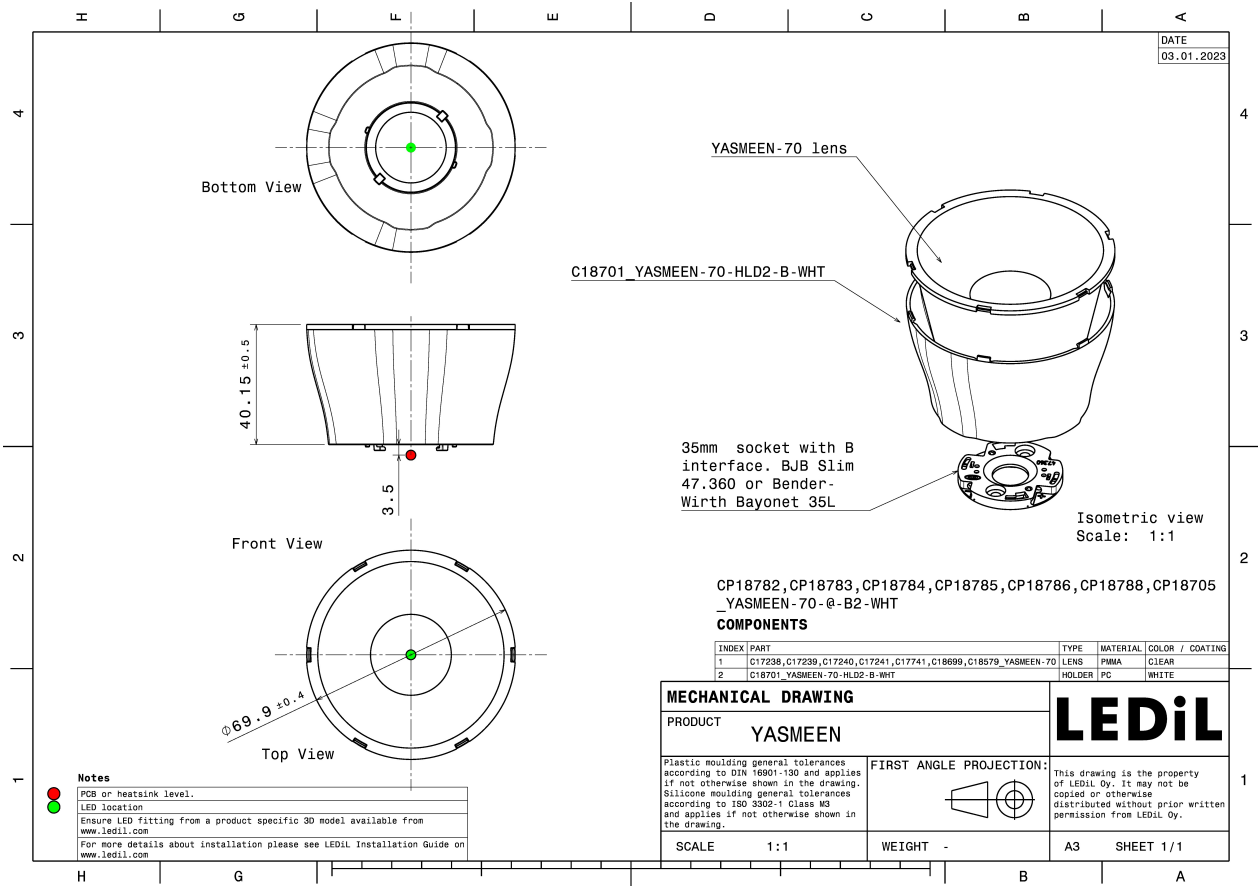


### MATERIALS:

Component	Type	Material	Colour	Finish
YASMEEN-70-HLD2-B-WHT	Holder B	PC	white	
YASMEEN-70-RS	Assembly			

### ORDERING INFORMATION:

Component	Qty in box	MOQ	MPQ	Box weight (kg)
CP18788_YASMEEN-70-RS-B2-WHT » Box size: 476 x 273 x 305 mm	105	105	15	11.0

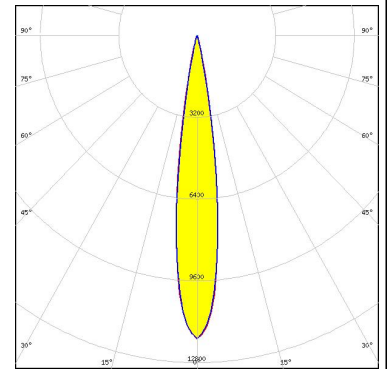


See also our general installation guide: [www.ledil.com/installation\\_guide](http://www.ledil.com/installation_guide)

#### OPTICAL RESULTS (SIMULATED):

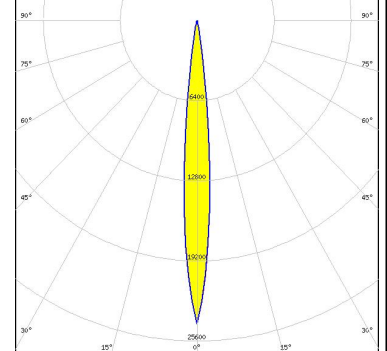
#### CITIZEN

LED CLL02x/CLU02x (LES10)  
 FWHM / FWTM 16.0° / 26.0°  
 Efficiency 93 %  
 Peak intensity 11.9 cd/lm  
 LEDs/each optic 1  
 Light colour White  
 Required components:  
 BJB: 47.360.1020



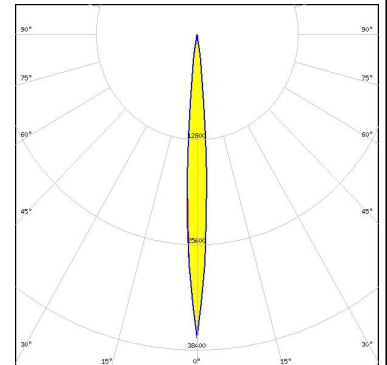
#### CITIZEN

LED CLU700/701/702/703  
 FWHM / FWTM 10.0° / 18.0°  
 Efficiency 93 %  
 Peak intensity 24.2 cd/lm  
 LEDs/each optic 1  
 Light colour White  
 Required components:  
 BJB: 47.360.1020



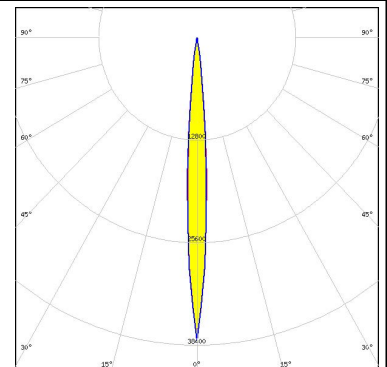
#### CITIZEN

LED CLU7A2/7A3  
 FWHM / FWTM 8.0° / 16.0°  
 Efficiency 93 %  
 Peak intensity 36.9 cd/lm  
 LEDs/each optic 1  
 Light colour White  
 Required components:  
 BJB: 47.360.1020



#### CITIZEN

LED CLU7S3  
 FWHM / FWTM 8.0° / 16.0°  
 Efficiency 93 %  
 Peak intensity 37.9 cd/lm  
 LEDs/each optic 1  
 Light colour White  
 Required components:  
 Bender Wirth: 667a Bayonet35



#### OPTICAL RESULTS (SIMULATED):

#### SAMSUNG

LED	LC003D / LC006D / LC009D / LC013D
FWHM / FWTM	16.0° / 26.0°
Efficiency	92 %
Peak intensity	11.1 cd/lm
LEDs/each optic	1
Light colour	White
Required components:	
BJB: 47.360.1020	

