

5

4

3

2

1

DRAWING NO.

CP782-CUST

REVISIONS

OFFICIAL RELEASE

01

02-20-09

J

W

B

Y

T

Thomas

Chow

Thomas Chow

Description: Straight BNC Crimp Plug For RG59,RG62 Style Cable

Part No: CP782

Application: For RG59,RG62 Cable

Crimp Tool: 24-9859P

Impedance: 75 Ohms

Frequency Range: 0-2 GHz

Material: Body: Brass Nickel plated

Contact: Brass Gold plated

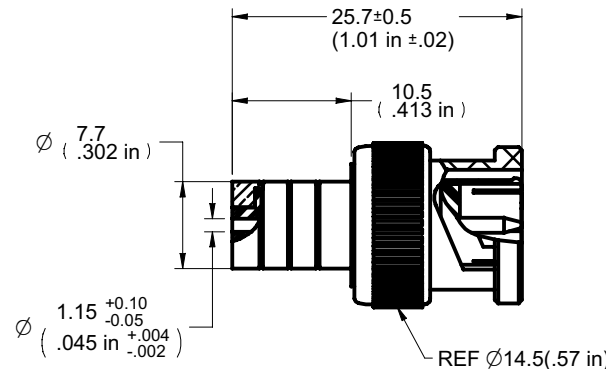
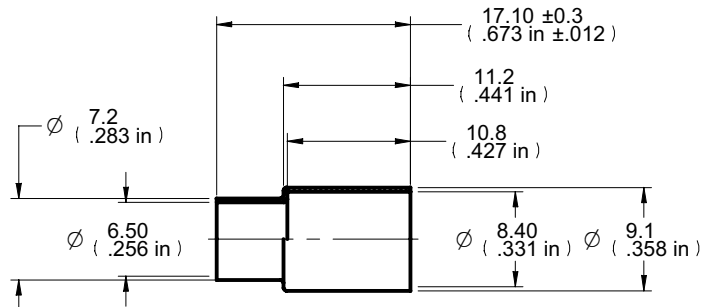
Insulator: Teflon

Crimp Sleeve: Brass Nickel plated

Coupling Nut: Zinc Nickel plated

RoHS Compliance: Yes

Technical Detail: Refer to Emerson Document P/N 27-0000



DIM OUTLINE

CUSTOMER COPY

TOLERANCE UNLESS OTHERWISE SPECIFIED		DRAWN BY IVON.W	DATE 02-20-09
DECIMALS	mm	CHECKED BY BETTY.YU	DATE 02-20-09
X	± 0.5	APPROVED BY THOMAS	DATE 02-20-09
X.X	± 0.3	U/M	mm
X.XX	± 0.1		
ANGLES	± 0.5°		

 <b>cinch</b> <small>CONNECTIVITY SOLUTIONS</small> <small>a bel group</small>		TITLE	
		STRAIGHT BNC CRIMP PLUG FOR RG59,RG62 STYLE CABLE	
SHEET	DRAWING NO.	SIZE	
1 OF 1	CP782-CUST	A	

受控 CONTROLLED DOCUMENT					
编号 P/N	CP782-CUST	版本 Rev	01	日期 Rel'd Date	Apr29,09

THIS DRAWING WAS PRODUCED BY COMPUTER, DO NOT SCALE DRAWING OR UPDATE MANUALLY.

5

4

3

2

1