



### Bridge Characteristics

Parameter	Rating	Units
Reverse Voltage	100	V
Forward Current	240	mA <sub>rms</sub>
Thyristor Current	120	mA

### Features

- Monolithic Construction
- Surface Mount Package

### Applications

- Telecommunications Protection Clamp
- High Voltage Multiplexer/Switch
- High Voltage ESD Clamp

### Description

100V Diode Bridge with an integrated Over-Voltage Protection (OVP) thyristor uses IXYS Integrated Circuits Division's High Voltage SOI technology.

The CPC7556N integrated diode bridge offers protection from high voltage transients by means of an adjustable voltage clamp. The clamp performs two actions, first to limit the voltage across the diode bridge rectified outputs to a value determined by external resistors and the gate voltage and second to fully discharge the  $V_+$  to  $V_-$  outputs when the Gate's trigger threshold is exceeded during the voltage limiting function. The rectified outputs are discharged as a result of the voltage fold-back function of the OVP device. Voltage fold back of the OVP circuit will continue until the current through the protector falls below the hold current threshold.

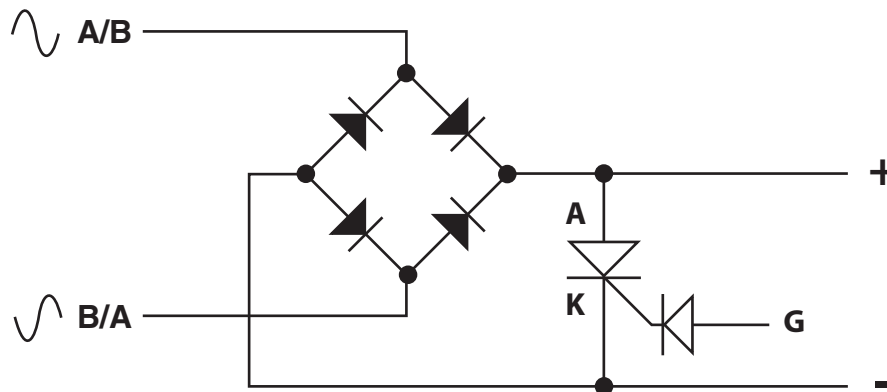
Terminating the gate to  $V_-$  will disable the clamp voltage feature up to the thyristor's off state voltage.



### Ordering Information

Part	Description
CPC7556N	8-Pin SOIC in Tubes (100/Tube)
CPC7556NTR	8-Pin SOIC Tape & Reel (2000/Reel)

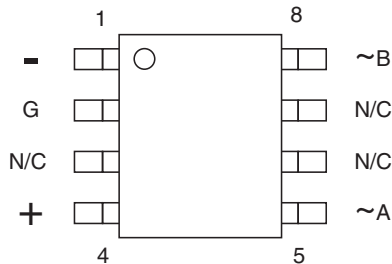
### CPC7556N Diagram



# 1 Specifications

## 1.2 Pin Description

### 1.1 Package Pinout



Pin#	Name	Description
1	-	Negative Bridge Output
2	G	Thyristor Gate
3	N/C	No Connection
4	+	Positive Bridge Output
5	~A	Input A
6	N/C	No Connection
7	N/C	No Connection
8	~B	Input B

### 1.3 Absolute Maximum Ratings

Unless Otherwise Specified all electrical ratings are at 25°C

Parameter	Symbol	Minimum	Maximum	Units
Reverse Voltage	$V_{RRM}$	-	120	V
Diode Forward Current (Average)	$I_F$	-	250	$mA_{rms}$
Diode Forward Surge Current	$I_{FSM}$	-	2	A
Gate Voltage	$V_{GK}$	-4	7	V
Gate Current	$I_{GK}$	-	20	mA
Overvoltage Current	$I_{AK}$	-	120	mA
Thyristor Surge Current	$I_{TSM}$	-	1.2	A
Fusing Current	$I_t^2$	-	0.02	$A^2s$
ESD, Human Body Model	-	-	3	kV
Junction Temperature <sup>1</sup>	$T_J$	-	+150	°C
Storage Temperature	$T_{STG}$	-65	+150	°C

<sup>1</sup> Derate package for  $P_{DISS}$  120°C/W.

*Absolute maximum ratings are stress ratings. Stresses in excess of these ratings can cause permanent damage to the device. Functional operation of the device at conditions beyond those indicated in the operational sections of this data sheet is not implied.*

### 1.4 Recommended Operating Conditions

Parameter	Symbol	Minimum	Maximum	Units
Diode Forward Current (Average)	$I_F$	-	240	$\text{mA}_{\text{rms}}$
Reverse Voltage	$V_R$	-	100	V
Operating Temperature Range	$T_A$	-40	+125	$^{\circ}\text{C}$
Thermal Impedance	$\theta_{JA}$	120	-	$^{\circ}\text{C}/\text{W}$

### 1.5 General Conditions

Typical values are characteristic of the device at 25°C and are the result of engineering evaluations. They are provided for information purposes only and are not part of the manufacturing testing requirements.

Unless otherwise noted, all electrical specifications are listed for  $T_A=25^{\circ}\text{C}$ .

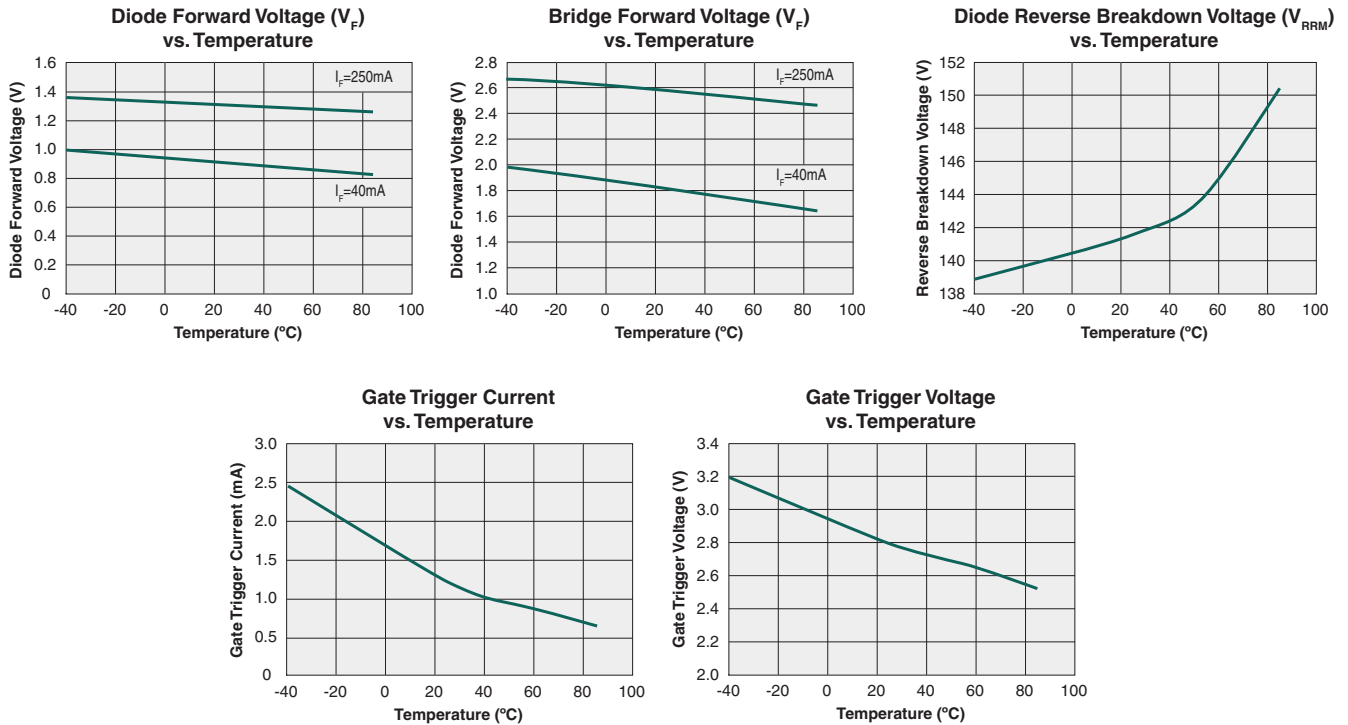
### 1.6 DC Electrical Characteristics

Parameter	Conditions	Symbol	Minimum	Typical	Maximum	Units
Diode Bridge Characteristics:						
Forward Current	-	$I_F$	-	-	240	$\text{mA}_{\text{rms}}$
Diode Forward Voltage Drop	$I_F = 40\text{mA}$	$V_F$	0.83	0.91	0.97	V
	$I_F = 250\text{mA}$		1	1.3	1.49	
Reverse Voltage Leakage Current	$V_R = 100\text{V}$	$I_R$	-	-	1	$\mu\text{A}$
Thyristor Characteristics:						
Gate Trigger Current	$V_{+/-} = V_{AK} = 10\text{V}$ , $I_{AK} = 110\text{mA}$	$I_{GT}$	0.5	1.2	1.8	mA
Gate Trigger Voltage		$V_{GK}$	2.5	2.8	3.2	V
Trigger Current	-	$I_{AKT}$	-	25	40	mA
Hold Current	-	$I_H$	70	100	-	mA
Peak Off State Voltage	$V_{GK} = 0\text{V}$ , $I_{AK} = 5 \mu\text{A}$	$V_{DRM}$	110	-	-	V

1.7 AC Electrical Characteristics

Parameter	Conditions	Symbol	Minimum	Typical	Maximum	Units
Input Zero Bias Capacitance	$V_+ - V_- = 0V$ Measured from $V_{-A}$ to $V_{-B}$	$C_{-A-B}$	-	4.4	12	pF
Output Zero Bias Capacitance	$V_{-A} = V_{-B}$ Measured from $V_+$ to $V_-$	$C_{+/-}$	-	8.3	20	pF
Bridge Zero Bias Capacitance	$V_+ - V_- = 0V$ Measured from $V_{-A}$ to $V_{+/-}$ and $V_{-B}$ to $V_{+/-}$	$C_{-A/+}, C_{-A/-}, C_{-B/+}, C_{-B/-}$	-	8.5	12	pF
Thyristor Peak Pulse Discharge Energy	Single Event Over-Voltage Discharge Energy	$E_{PP}$	-	-	300	mJ
Thyristor Repeated Discharge Energy	Allowable Repeated Discharge Energy, Rectified 60Hz	$E_{AVE}$	-	-	14	mJ

2 Typical Performance Data



### 3 Manufacturing Information

#### 3.1 Moisture Sensitivity



All plastic encapsulated semiconductor packages are susceptible to moisture ingress. IXYS Integrated Circuits Division classified all of its plastic encapsulated devices for moisture sensitivity according to the latest version of the joint industry standard, **IPC/JEDEC J-STD-020**, in force at the time of product evaluation. We test all of our products to the maximum conditions set forth in the standard, and guarantee proper operation of our devices when handled according to the limitations and information in that standard as well as to any limitations set forth in the information or standards referenced below.

Failure to adhere to the warnings or limitations as established by the listed specifications could result in reduced product performance, reduction of operable life, and/or reduction of overall reliability.

This product carries a **Moisture Sensitivity Level (MSL) rating** as shown below, and should be handled according to the requirements of the latest version of the joint industry standard **IPC/JEDEC J-STD-033**.

Device	Moisture Sensitivity Level (MSL) Rating
CPC7556N	MSL 1

#### 3.2 ESD Sensitivity



This product is **ESD Sensitive**, and should be handled according to the industry standard **JESD-625**.

#### 3.3 Reflow Profile

This product has a maximum body temperature and time rating as shown below. All other guidelines of **J-STD-020** must be observed.

Device	Maximum Temperature x Time
CPC7556N	260°C for 30 seconds

#### 3.4 Board Wash

IXYS Integrated Circuits Division recommends the use of no-clean flux formulations. However, board washing to remove flux residue is acceptable, and the use of a short drying bake may be necessary. Chlorine-based or Fluorine-based solvents or fluxes should not be used. Cleaning methods that employ ultrasonic energy should not be used.

