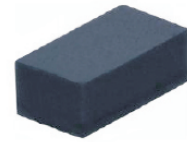


CPDER Series-HF

RoHS Device

Halogen Free

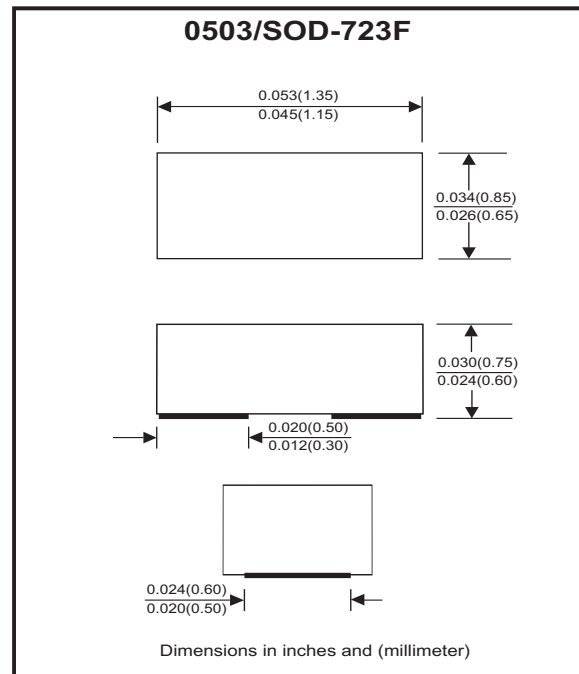


Features

- Bi-directional ESD protection.
- Surface mount package.
- Ultra small SMD package:0503.
- High component density.

Mechanical data

- Case: 0503/SOD-723F standard package, molded plastic.
- Terminals: Gold plated, solderable per MIL-STD-750,method 2026.
- Marking Code:
 - CPDER5V0-HF: E05
 - CPDER12V-HF: E12
 - CPDER24V-HF: E24
- Mounting position: Any.
- Weight: 0.002 grams(approx.).



Circuit Diagram



Electrical Characteristics (at TA=25°C unless otherwise noted)

Parameter	Conditions	Symbol	Min	Typ	Max	Unit
Diode breakdown voltage	CPDER5V0-HF	I _R = 1mA	V _{BD}	5.1	7.0	V
	CPDER12V-HF			13	17	
	CPDER24V-HF			25	28	
Leakage current	CPDER5V0-HF	V _R = 5V V _R = 12V V _R = 24V	I _L	0.1	2.0	uA
	CPDER12V-HF					
	CPDER24V-HF					
Junction capacitance	CPDER5V0-HF	V _R = 0V, f = 1MHz	C _T	15	20	pF
	CPDER12V-HF			12	-	
	CPDER24V-HF			10	-	
ESD capability	CPDER Series-HF	IEC 61000-4-2(air) IEC 61000-4-2(contact)	ESD		16 8	kV
Clamping voltage	CPDER5V0-HF	I _{PP} = 1A, T _P =8/20us I _{PP} = 5A, T _P =8/20us I _{PP} = 1A, T _P =8/20us I _{PP} = 1A, T _P =8/20us	V _C		10	V
	CPDER12V-HF				15	
	CPDER24V-HF				25	
	CPDER24V-HF				47	
Peak pulse power	CPDER5V0-HF CPDER12V-HF CPDER24V-HF	T _P =8/20us	P _{PP}		75 25 47	W
Operation temperature range	CPDER Series-HF		T _j	-40	125	°C
Storage temperature range	CPDER Series-HF		T _{STG}	-55	150	°C

RATING AND CHARACTERISTIC CURVES (CPDER Series-HF)

Fig.1 - 8/20us Peak Pulse Current Wave Form Acc. IEC 61000-4-5

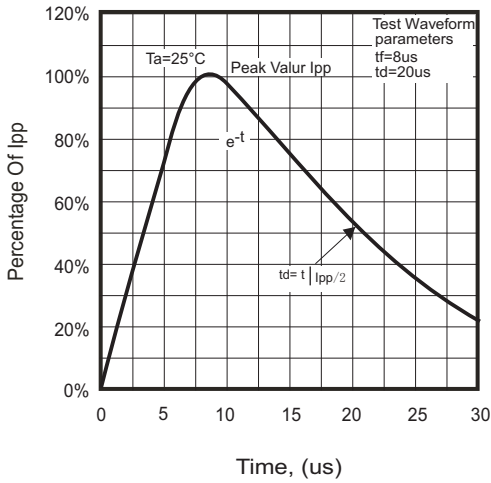


Fig.2-1 - Reverse Characteristics

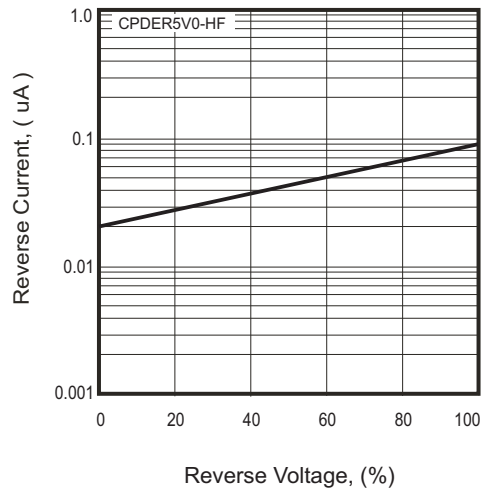


Fig.2-2 - Reverse Characteristics

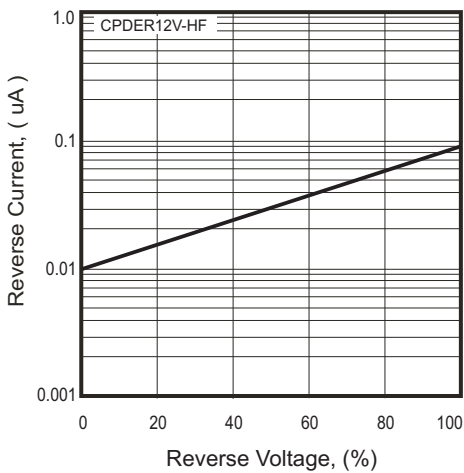


Fig.2-3 - Reverse Characteristics

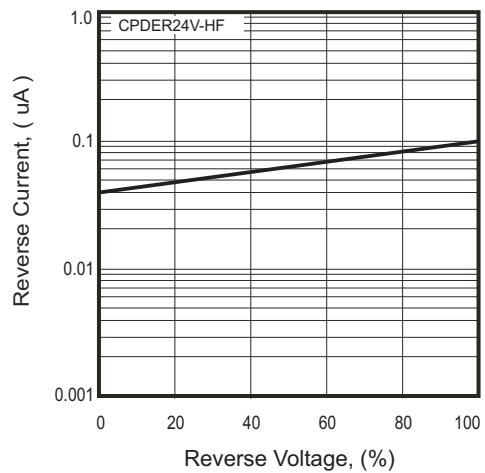


Fig.3 - Capacitance Between Terminals Characteristics

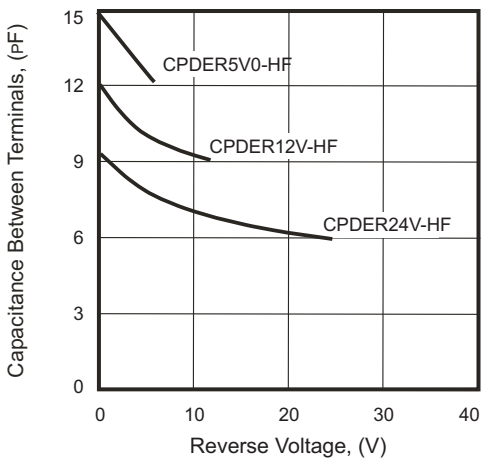
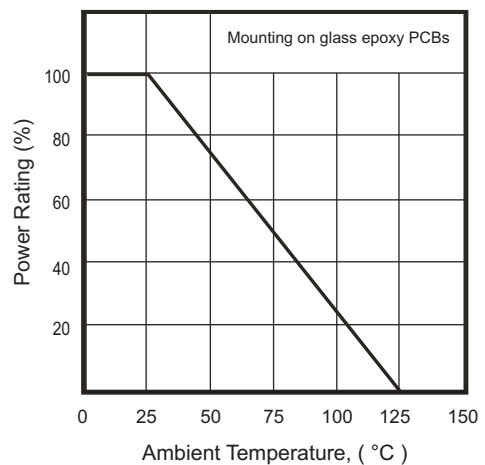
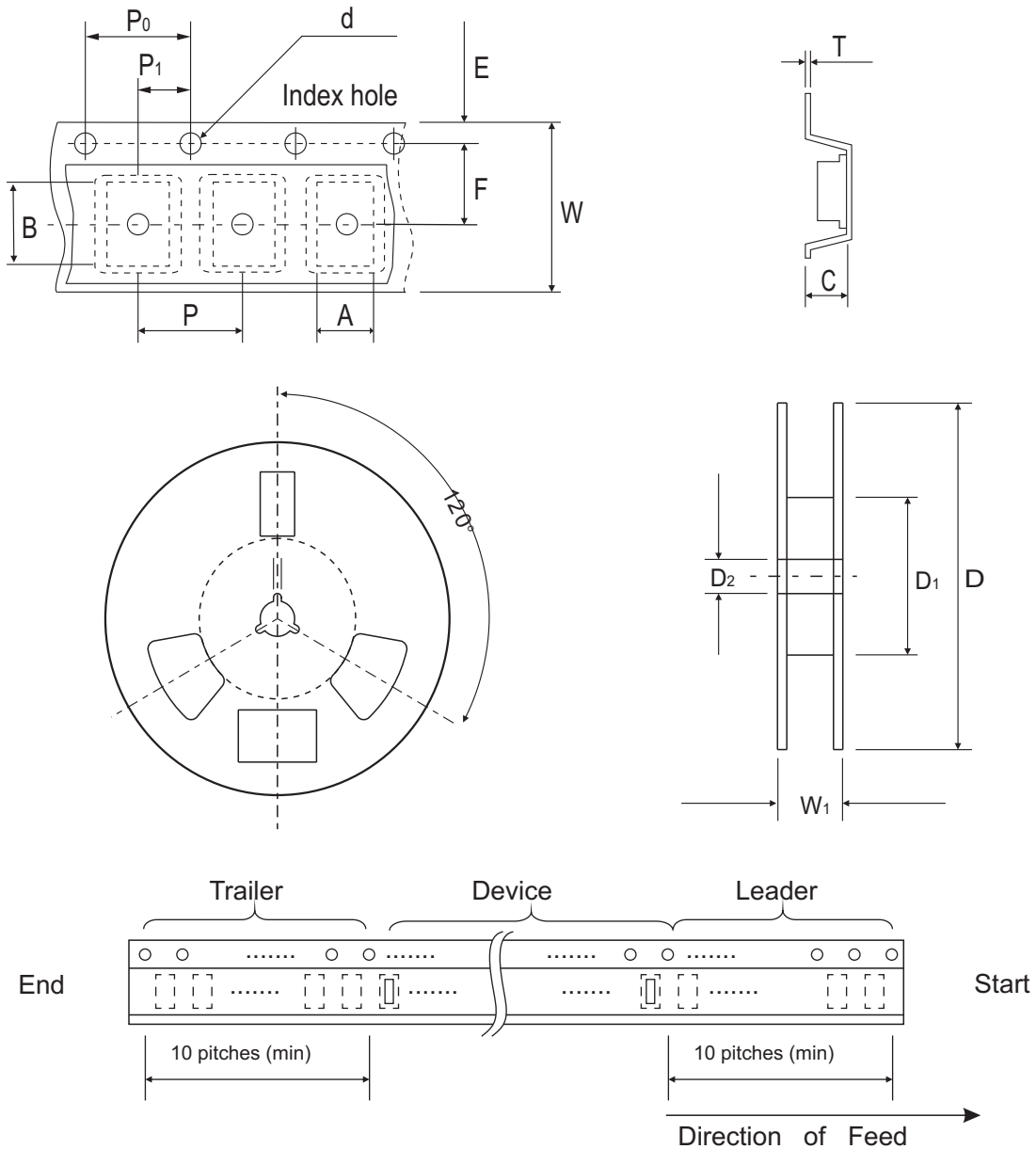


Fig.4 - Power Rating Derating Curve



Reel Taping Specification



0503 (SOD-723F)	SYMBOL	A	B	C	d	D	D ₁	D ₂
	(mm)	0.90 ± 0.10	1.46 ± 0.10	0.80 ± 0.10	1.55 ± 0.05	178 ± 1	60.0 MIN.	13.0 ± 0.20
	(inch)	0.035 ± 0.004	0.057 ± 0.004	0.031 ± 0.004	0.061 ± 0.002	7.008 ± 0.04	2.362 MIN.	0.512 ± 0.008

0503 (SOD-723F)	SYMBOL	E	F	P	P ₀	P ₁	T	W	W ₁
	(mm)	1.75 ± 0.10	3.50 ± 0.05	4.00 ± 0.10	4.00 ± 0.10	2.00 ± 0.05	0.22 ± 0.05	8.00 ± 0.20	13.5 MAX.
	(inch)	0.069 ± 0.004	0.138 ± 0.002	0.157 ± 0.004	0.157 ± 0.004	0.079 ± 0.002	0.009 ± 0.002	0.315 ± 0.008	0.531 MAX.