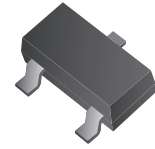


CPDV3-5V0C-HF

RoHS Device
Halogen Free



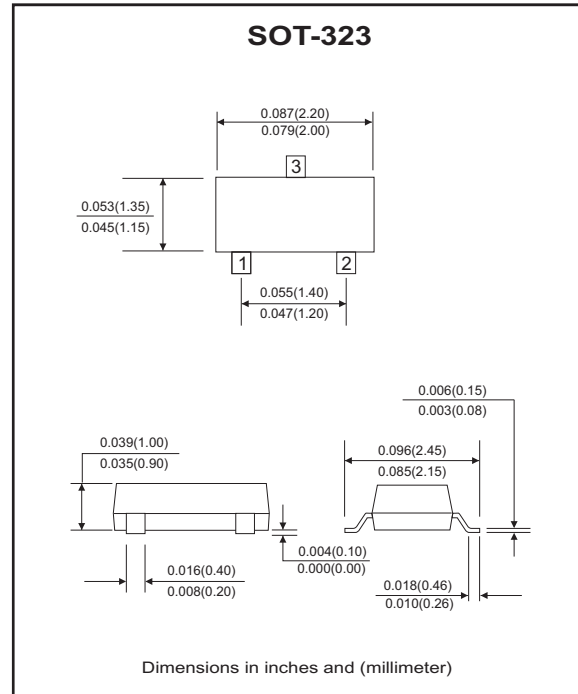
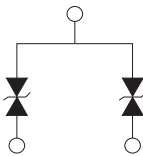
Features

- Bi-directional ESD protection.
- IEC61000-4-2 Level 4 ESD protection.
- Operating voltage: 5V.

Mechanical data

- Case: SOT-323 Standard package, molded plastic.
- Terminals: solderable per MIL-STD-750, method 2026.
- Marking code: E05
- Mounting position: Any.
- Weight: 0.0055 gram (approx.).

Circuit diagram



Electrical Characteristics (at TA=25°C unless otherwise noted)

Parameter	Conditions	Symbol	Min	Typ	Max	Unit
Diode breakdown voltage	$I_R = 1\text{mA}$	V_{BD}	6.1	7.0		V
Leakage current	$V_R = 5\text{V}$	I_L		0.1	2.0	μA
Junction capacitance	$V_R = 0\text{V}, f = 1\text{MHz}$	C_T		25	30	pF
ESD capability	IEC 61000-4-2(air) IEC 61000-4-2(contact)	ESD			16 8	kV
Operation temperature		T_j			125	°C
Storage temperature		T_{STG}	-55		150	°C

RATING AND CHARACTERISTIC CURVES (CPDV3-5V0C-HF)

Fig. 1 - Reverse characteristics

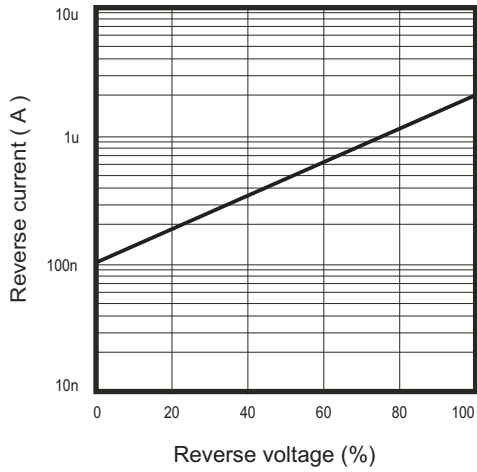


Fig. 2 - Capacitance between terminals characteristics

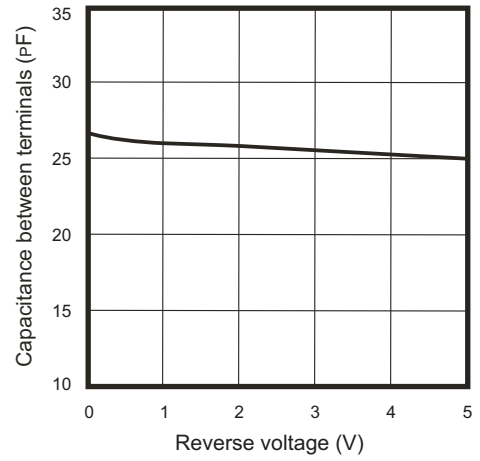
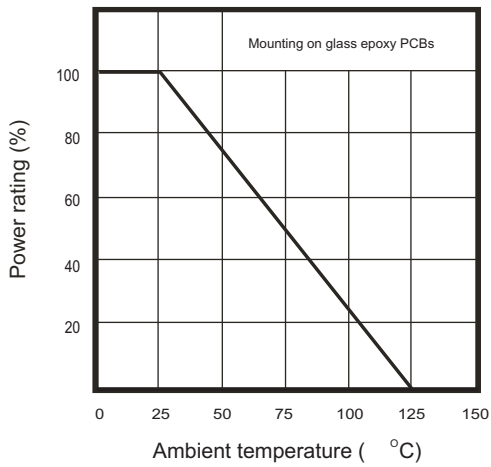
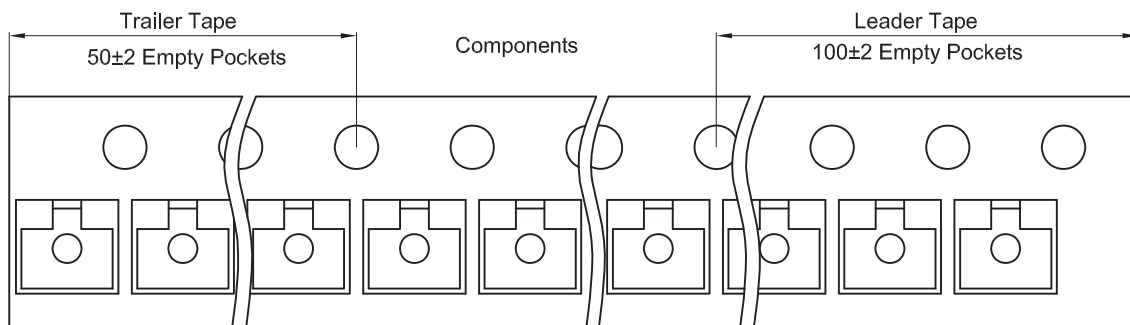
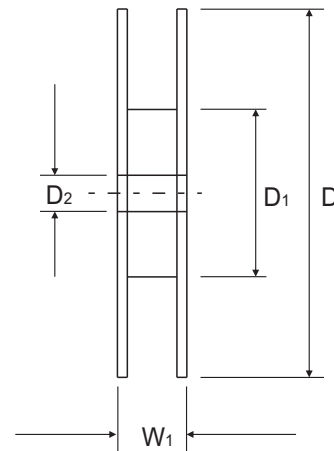
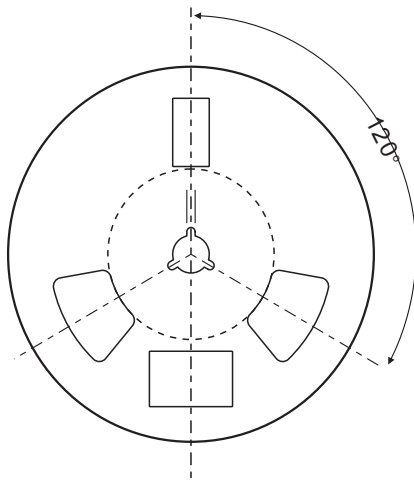
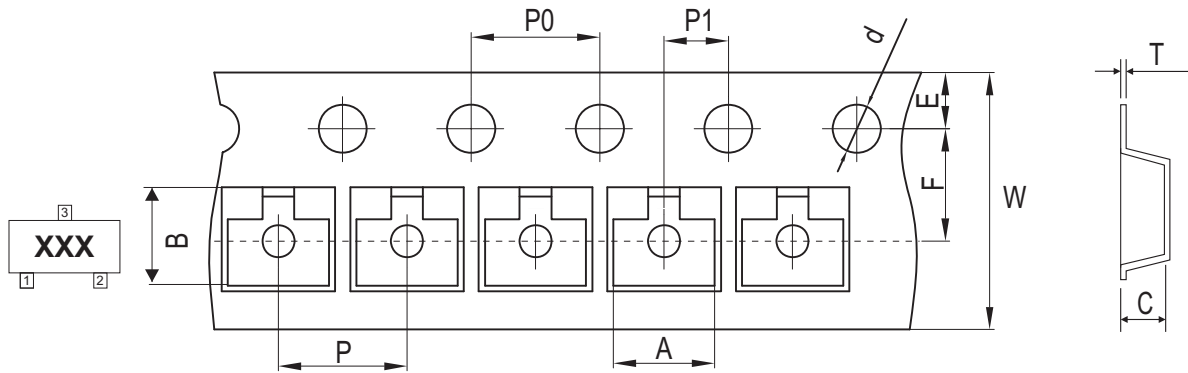


Fig. 3 - Power rating derating curve



Reel Taping Specification



SOT-323	SYMBOL	A	B	C	d	D	D1	D2
	(mm)	2.25 ± 0.05	2.55 ± 0.05	1.19 ± 0.05	1.55 ± 0.10	178 ± 2.00	54.40 ± 1.00	13.00 ± 1.00
	(inch)	0.089 ± 0.002	0.100 ± 0.002	0.047 ± 0.002	0.061 ± 0.004	7.008 ± 0.079	2.142 ± 0.039	0.512 ± 0.039

SOT-323	SYMBOL	E	F	P	P0	P1	W	W1
	(mm)	1.75 ± 0.10	3.50 ± 0.10	4.00 ± 0.10	4.00 ± 0.10	2.00 ± 0.10	8.00 + 0.30 / - 0.10	12.30 ± 1.00
	(inch)	0.069 ± 0.004	0.138 ± 0.004	0.157 ± 0.004	0.157 ± 0.004	0.079 ± 0.004	0.315 + 0.012 / - 0.004	0.484 ± 0.039