

CPDV5V0A-HF

RoHS Device
Halogen Free

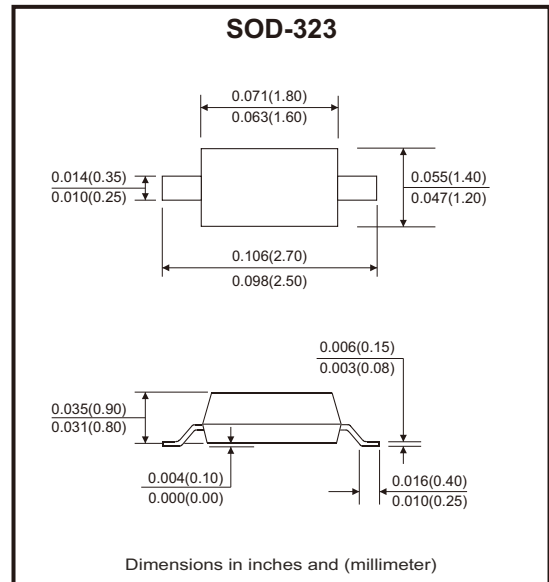


Features

- IEC61000-4-2 (ESD) $\pm 15\text{kV}$ (air), $\pm 8\text{kV}$ (contact).
- IEC61000-4-4 (EFT) 40A (5/50ns).
- Peak power dissipation: 400W (8/20 μs).
- Protects one directional I/O line.
- Low clamping voltage.
- Working voltages: 5V.
- Low leakage current.
- Low capacitance.

Mechanical data

- Case: SOD-323 package.
- Terminals: Gold plated, solderable per MIL-STD-750, method 2026



Circuit diagram



Maximum Rating (at Ta=25°C unless otherwise noted)

Parameter	Symbol	Value	Unit
ESD per IEC 61000-4-2 (air)	V _{ESD}	± 15	kV
ESD per IEC 61000-4-2 (contact)		± 8	
Peak pulse power (8/20 μs)	P _{PP}	400	W
Operating temperature range	T _{OPT}	-55 to +150	°C
Storage temperature range	T _{STG}	-55 to +150	°C

Electrical Characteristics (at Ta=25°C unless otherwise noted)

Parameter	Conditions	Symbol	Min	Typ	Max	Unit
Reverse working voltage		V_{RWM}			5.0	V
Reverse breakdown voltage	$I_T = 1\text{mA}$	V_{BR}	5.8		7.8	V
Reverse leakage current	$V_{RWM} = 5\text{V}$	I_R			1.0	μA
Clamping voltage	$I_{PP} = 1\text{A}, T_P = 8/20\mu\text{s}$	V_C			9.8	V
	$I_{PP} = 25\text{A}, T_P = 8/20\mu\text{s}$			15	20	
Junction capacitance	$V_R = 0\text{V}, f = 1\text{MHz}$	C_J		30	40	pF

Rating and Characteristic Curves (CPDV5V0A-HF)

Fig.1 - Pulse Waveform

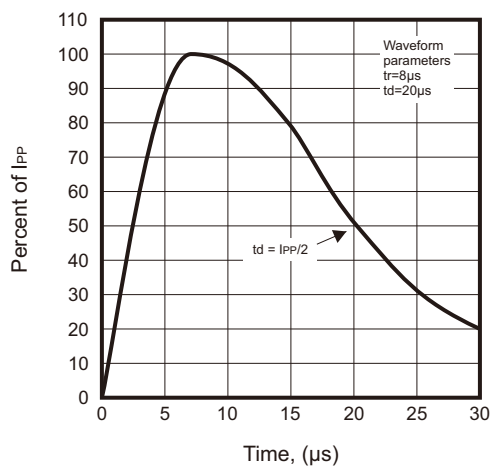
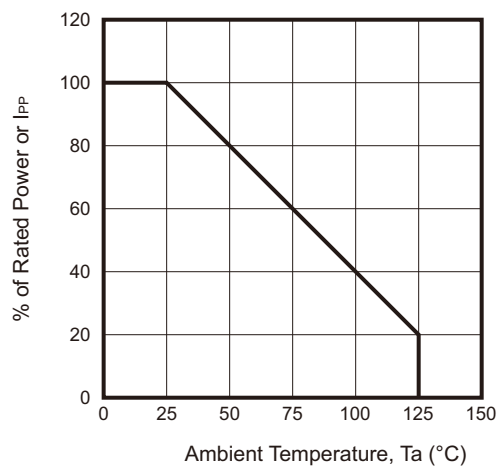
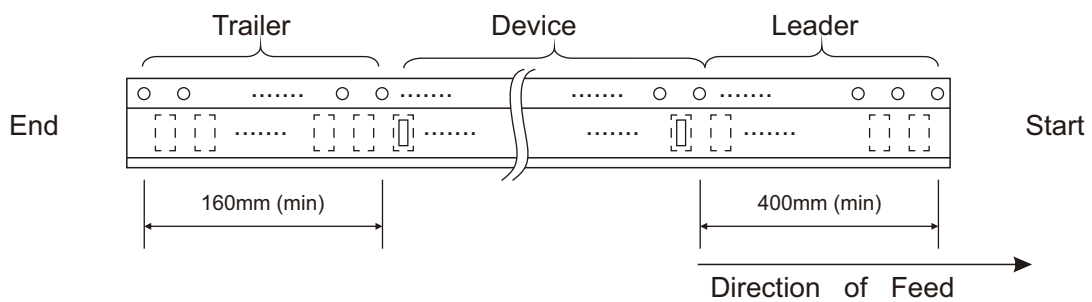
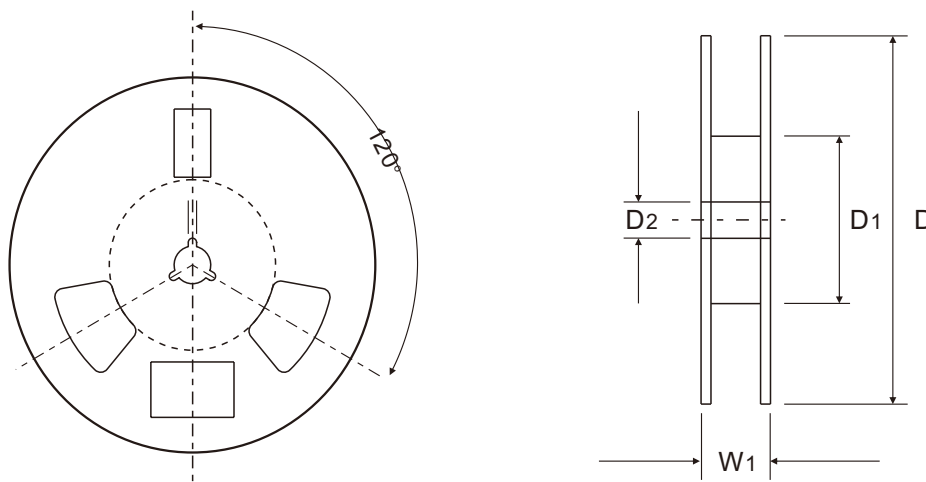
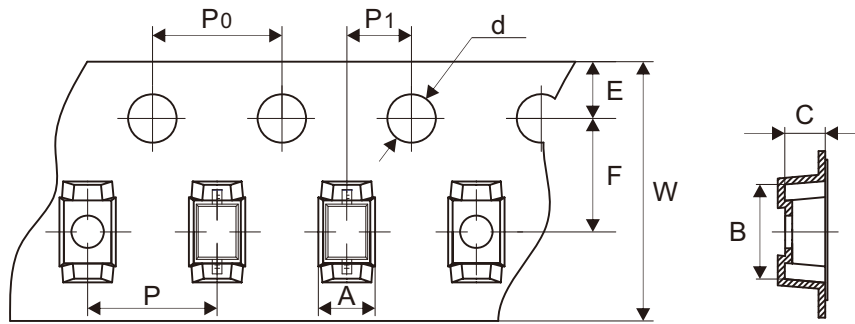


Fig.2 - Power Derating Curve



Reel Taping Specification



SOD-323	SYMBOL	A	B	C	d	D	D1	D2
	(mm)	1.46 ± 0.05	2.90 ± 0.05	1.25 ± 0.05	1.50 ± 0.10	178.00 ± 2.00	54.40 ± 1.00	13.00 ± 1.00
	(inch)	0.057 ± 0.002	0.114 ± 0.002	0.049 ± 0.002	0.059 ± 0.004	7.008 ± 0.079	2.142 ± 0.039	0.512 ± 0.039

SOD-323	SYMBOL	E	F	P	P0	P1	W	W1
	(mm)	1.75 ± 0.10	3.50 ± 0.10	4.00 ± 0.10	4.00 ± 0.10	2.00 ± 0.10	8.00 + 0.30 - 0.10	12.30 ± 1.00
	(inch)	0.069 ± 0.004	0.138 ± 0.004	0.157 ± 0.004	0.157 ± 0.004	0.079 ± 0.004	0.315 + 0.012 - 0.004	0.484 ± 0.039

Company reserves the right to improve product design, functions and reliability without notice. REV:A