

5

4

3

2

1

D

C

B

A

D

C

B

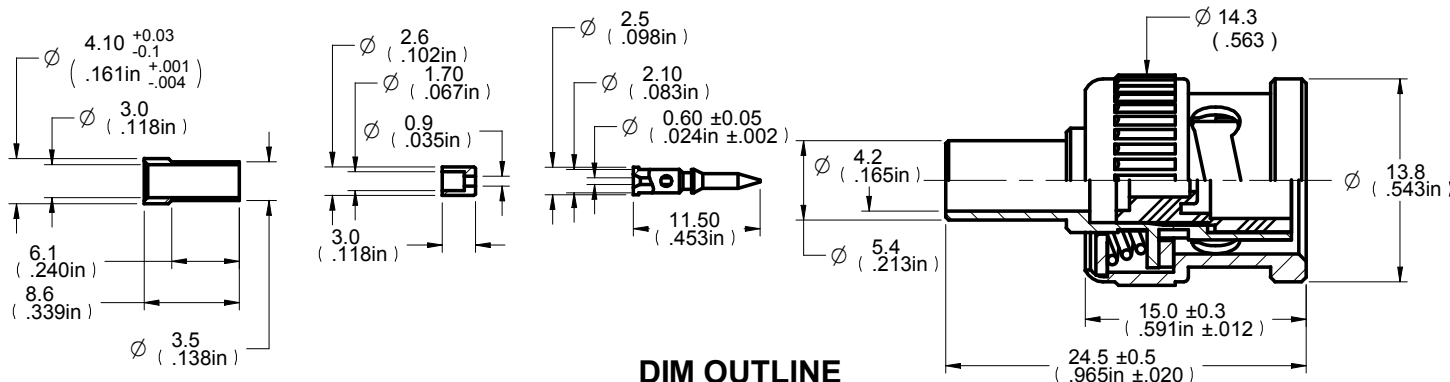
A



Description: BNC 3-Piece Crimp Plug, 50 Ohm, RG174, 188, 316
 Part No: CPM8819
 Application: For Cable RG174, 188, 316
 Crimp Tool: 24-9912P
 Impedance: 50 Ohms
 Frequency Range: 0-4 GHz
 Material: Body Zinc Nickel Plated
 Contact Brass Gold Plated
 Insulator Pom
 Crimp Sleeve Brass Nickel Plated
 Coupling Nut Zinc Nickel Plated

RoHS Compliance: Yes
 Technical Detail: Refer to Emerson Document P/N 27-0000

DRAWING NO. CPM8819-CUST									
REVISIONS									
01	OFFICAL RELEASE								
	03-05-09	Z	G	B	Y	T			
02	FIGURE OF CONTACT AND CRIMP SLEEVE ARE DIFFERENT WITH BEFORE; BODY MATERIAL: WAS: BRASS; IS: ZINC. INSULATOR MATERIAL: WAS: TEFLON; IS: POM.								
	03-04-11	J	J	J	D				ECO-11-0034



CUSTOMER COPY

TOLERANCE UNLESS OTHERWISE SPECIFIED		DRAWN BY	DATE
DECIMALS	mm	JEAN.JIN	03-04-11
X	± 0.5	CHECKED BY	DATE
X.X	±0.15	JEAN.JIN	03-04-11
X.XX	± 0.1	APPROVED BY	DATE
ANGLES	± 0.5°	DONALD	03-04-11
		U/M	mm

EMERSON
Network Power

Connectivity Solutions

TITLE
BNC 3-Piece Crimp Plug, 50 Ohm, RG174, 188, 316

THIS DRAWING WAS PRODUCED BY COMPUTER, DO NOT SCALE DRAWING OR UPDATE MANUALLY.		SHEET	DRAWING NO.	SIZE
		1 OF 1	CPM8819-CUST	A

SOLID EDGE RESELLER.COM

5

4

3

2

1