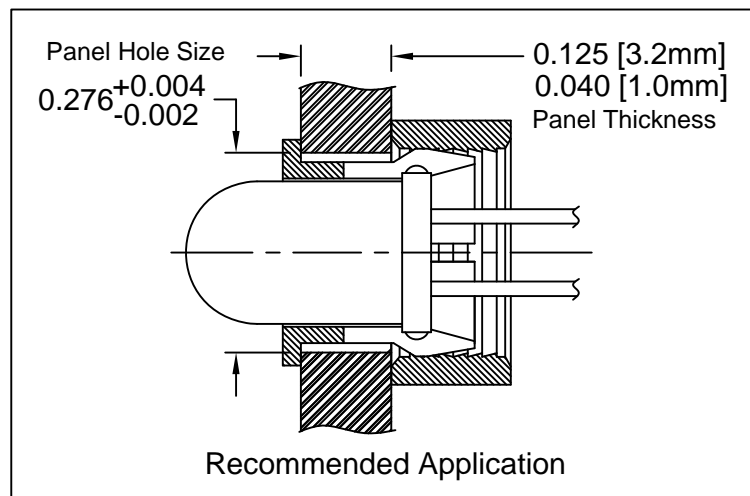
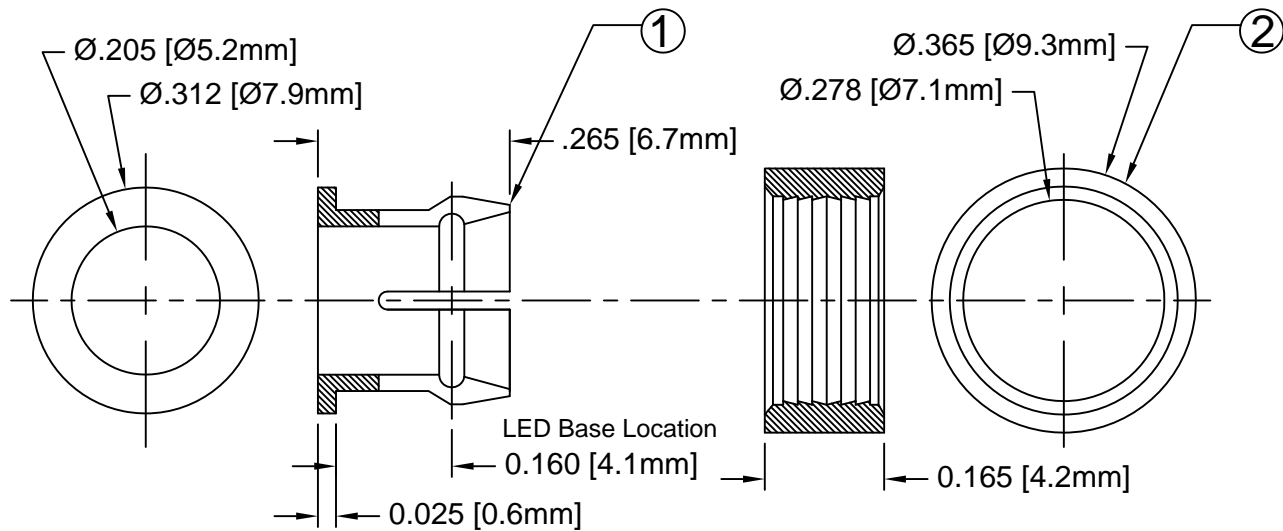


ITEM	Q'TY	PART NUMBER	PART DESCRIPTION
1	1	C-175	T-1¼ (5mm) LED CLIP
2	1	R-175	T-1¼ (5mm) LED RING

REV.	DESCRIPTION	DATE	APPROVED
C	Engineering Update w/o Changes	02/26/04	M. C.
D	Remove Material Code	05/28/16	J. C.



2. MATERIAL: NYLON 6/6, 94V-0, BLACK.

1. GENERAL SPECIFICATIONS: BIVAR MOLDED COMPONENT SPECIFICATION BV00-E101.

STANDARD TOLERANCE (UNLESS OTHERWISE SPECIFIED)		BIVAR®	
DECIMALS	ANGULAR	4 THOMAS, IRVINE, CA. 92618	
.X ± .1	X° ± 1°	TEL: (949) 951-8808 FAX: (949) 951-3974	
.XX ± .01		<b>TITLE:</b> CLIP & RING SET FOR SMALL FLANGE T-1¼ (5mm) LED	
.XXX ± .005		<b>PART NO:</b> CR-175	
DESIGNED: <b>S. Irving</b>	DATE: <b>11/18/98</b>	REVISION: <b>D</b>	<b>CAGE CODE :</b> 32559
CHECKED: <b>M. Chen</b>	DATE: <b>01/09/02</b>	<b>SHEET # 1 OF 1</b>	
CAD GENERATED DOCUMENT. DO NOT MEASURE DRAWING.			