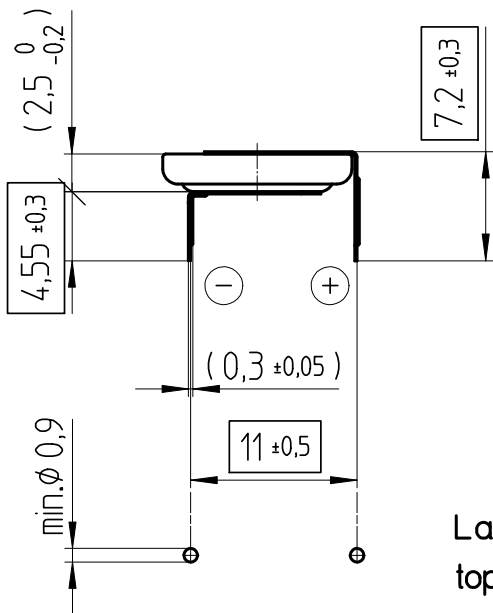
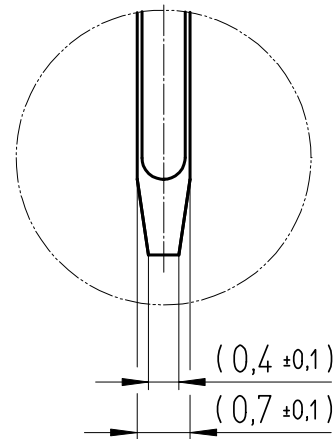
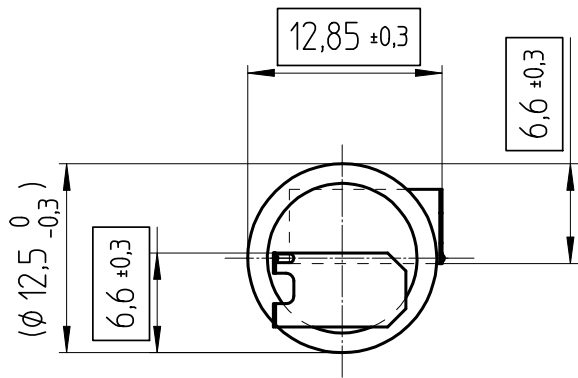
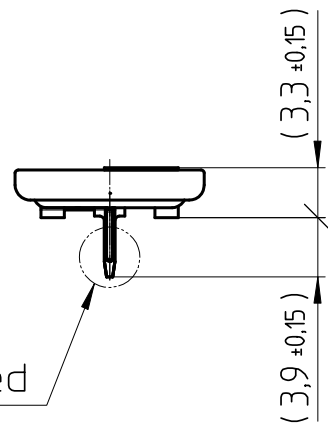


Art.-Number: 701065



Layout  
top view

solder plated



Tab material: Stainless steel

All framed values will be used for dimension checking !

The Products of Renata SA are neither designed nor authorized for use in certain areas of application of environment. For further details we refer to our webpage: [www.renata.com/downloads/restriction\\_of\\_use](http://www.renata.com/downloads/restriction_of_use)

- Samples can deviate in the execution from the serie.

- Dimensions and tolerances can be specified only after the testing of the devices for the mass production definitely

Rev.	①	11.09.2019	SRI	Rev.	⊙	.	.		Customer's Approval		
Rev.	⊙	.	.	Rev.	⊙	.	.		Date		
Rev.	⊙	.	.	Rev.	⊙	.	.		Signature		
Titel:								Scale 2:1	Drawn	21.12.04	SRI
CR1225FH-LF									Checked	13.05..19	HSn
									Approved	16.09.19	MDi
				CH-4452 Itingen Switzerland				3.8702.4-1			