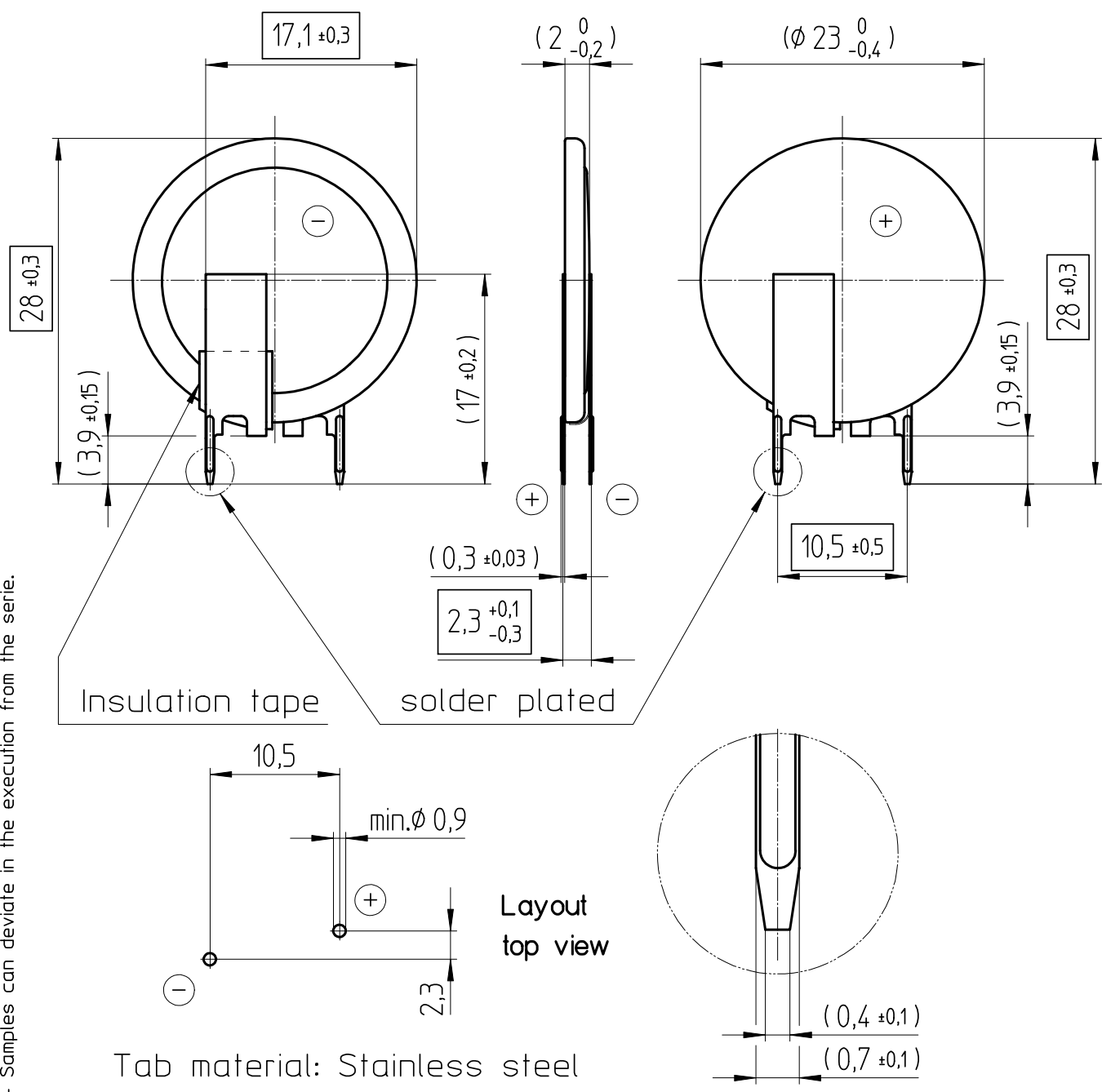


- Samples can deviate in the execution from the serie.

- Dimensions and tolerances can be specified only after the testing of the devices for the mass production definitely



Tab material: Stainless steel

All framed values will be used for dimension checking !

The Products of Renata SA are neither designed nor authorized for use in certain areas of application of environment.  
 For further details we refer to our webpage: [www.renata.com/downloads/restriction\\_of\\_use](http://www.renata.com/downloads/restriction_of_use)

|             |   |            |     |                                |   |   |   |            |     |          |                     |     |  |
|-------------|---|------------|-----|--------------------------------|---|---|---|------------|-----|----------|---------------------|-----|--|
| Rev.        | ① | 12.09.2019 | SRi | Rev.                           | ⊙ | . | . |            |     |          | Customer's Approval |     |  |
| Rev.        | ⊙ | .          | .   | Rev.                           | ⊙ | . | . |            |     |          | Date                |     |  |
| Rev.        | ⊙ | .          | .   | Rev.                           | ⊙ | . | . |            |     |          | Signature           |     |  |
| Titel:      |   |            |     |                                |   |   |   | Scale      | 2:1 | Drawn    | 03.01.05            | SRi |  |
| CR2320FV-LF |   |            |     |                                |   |   |   |            |     | Checked  | 13.09.19            | HSn |  |
|             |   |            |     |                                |   |   |   |            |     | Approved | 16.09.19            | MDi |  |
|             |   |            |     | CH-4452 Itingen<br>Switzerland |   |   |   | 3.8721.4-1 |     |          |                     |     |  |