

Coin Cells

Introduction



Since 1982, when RENATA launched the industrial production of lithium batteries, the range of applications has grown continuously. In addition to the wide spectrum of memory backup power sources, RENATA lithium batteries are used for different applications in the computer and automotive industries, telecommunications, medical industry and in an increasing number of portable devices (measuring equipment, payment systems, toys etc.).

RENATA lithium batteries meet the highest quality standards and offer excellent reliability.

Advantages

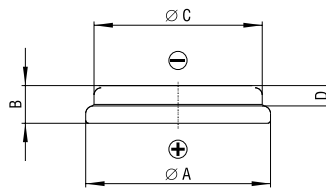
- Nominal voltage of 3V, approx. twice the voltage level of alkaline button cells
- Wide operating temperature range depending on battery model
- Low self discharge of less than 1% per year at 23°C
- Best practical capacity/volume ratio
- Superior leakage resistance
- Excellent storage characteristics, up to 10 years storage with minimum deterioration
- Safe products: all Renata and MFR coin cells are UL-recognized products (File No. MH14002)
- Environmental-friendly, do not contain toxic substances
- No air transport restrictions (non hazardous)
- Available in a wide range of solder contact configurations or in combination with our battery holders

Coin Cells

Standard bare coin cells

General characteristics

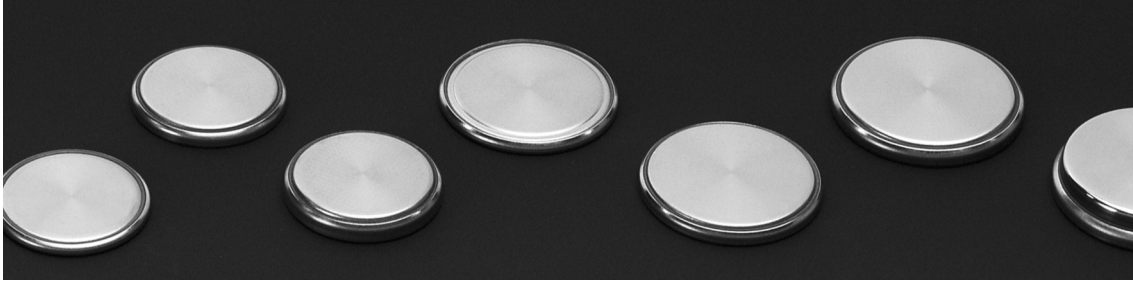
- Self-discharge: less than 1% per year at 23°C
- Shelf life: up to 10 years at max. 23°C
- Stable voltage during shelf life
- High reliability of operation, including leakage resistance
- Contains no heavy metals



Dimensions and weights

Model	Max. Dimensions (mm)				approx Weight (g)	Part.No.*
	A	B	C	D		
CR1025	10.00	2.50	Ref. 6.0	min 0.08	0.6	700263
CR1216 MFR	12.50	1.60	Ref. 10.2	min 0.05	0.7	100551
CR1220 MFR	12.50	2.00	Ref. 10.3	min 0.10	0.8	100552
CR1225	12.50	2.50	Ref. 9.0	min 0.08	0.9	700281
CR1616	16.00	1.60	Ref. 12.0	min 0.02	1.1	700287
CR1620	16.00	2.00	Ref. 12.0	min 0.06	1.2	700291
CR1632	16.00	3.20	Ref. 12.0	min 0.08	1.8	700296
CR2016 MFR	20.00	1.60	Ref. 18.0	min 0.05	1.7	100270
CR2025 MFR	20.00	2.50	Ref. 17.0	min 0.05	2.5	100271
CR2032 MFR	20.00	3.20	Ref. 17.0	min 0.05	2.8	100272
CR2320	23.00	2.00	Ref. 18.0	min 0.06	2.7	700344
CR2325	23.00	2.50	Ref. 19.0	min 0.08	3.0	700348
CR2430 MFR	24.50	3.00	Ref. 20.0	min 0.08	4.3	100350
CR2430	24.50	3.00	Ref. 20.0	min 0.08	4.1	700359
CR2450N	24.50	5.00	Ref. 22.3	min 2.50	5.9	700377
CR2477N	24.50	7.70	Ref. 22.4	min 5.30	8.3	700391

*Packaging: Industrial Bulk (IB-Trays)



Electrical characteristics

Model	Nominal capacity (mAh)	Standard discharge current (mA) ¹⁾	Max. continuous discharge current (mA) ²⁾	Operating Temperature (C) ³⁾
CR1025	30	0.05	0.40	-40/+85°
CR1216 MFR	30	0.10	1.00	-30/+70°
CR1220 MFR	40	0.10	1.00	-30/+70°
CR1225	48	0.10	1.00	-40/+85°
CR1616	50	0.10	1.00	-40/+85°
CR1620	68	0.10	1.00	-40/+85°
CR1632	125	0.20	1.50	-40/+85°
CR2016 MFR	90	0.20	3.00	-30/+70°
CR2025 MFR	165	0.30	3.00	-30/+70°
CR2032 MFR	225	0.40	3.00	-30/+70°
CR2320	150	0.20	3.00	-40/+85°
CR2325	190	0.30	3.00	-40/+85°
CR2430 MFR	300	0.50	4.00	-30/+70°
CR2430	285	0.50	4.00	-40/+85°
CR2450N	540	0.80	3.00	-40/+85°
CR2477N	950	1.00	2.50	-40/+85°

1) Standard discharge current: 100% of nominal capacity is obtained by discharging the cells at this current rates.

2) The maximum current is determined for a yield of 70% of the nominal capacity with a cut-off voltage of 2.0V, at 23°C. For currents exceeding those given above or pulsed current, please contact Renata.

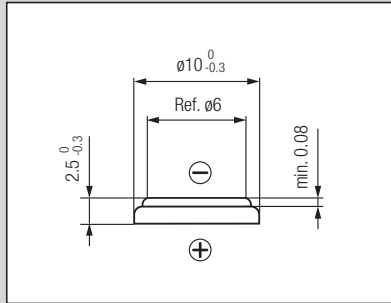
3) In applications where the battery is exposed to temperatures above 70°C, please contact Renata for consultancy.

Coin Cells

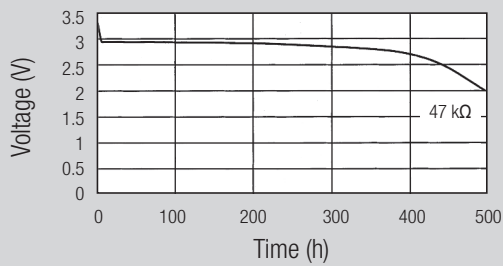
Standard bare coin cells



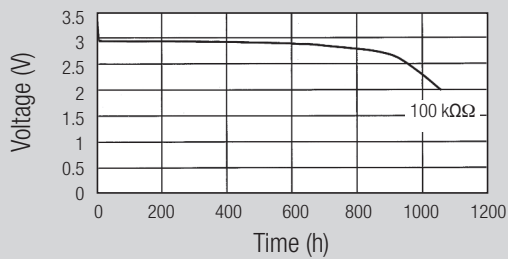
CR1025  Rated capacity: 30 mAh
Average weight: 0.6 g



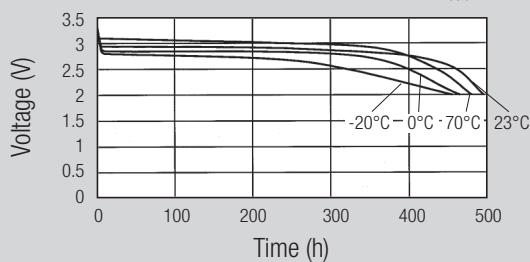
Discharge performance at 23°C



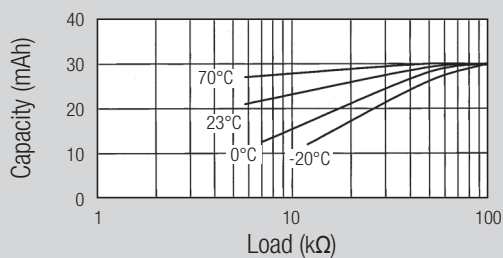
Discharge performance at 23°C



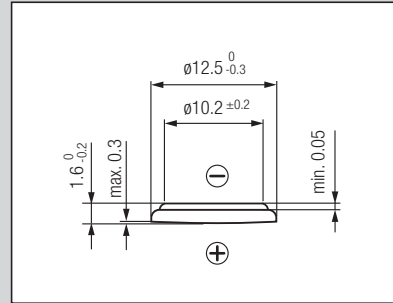
Temperature performance Load 47 kΩ



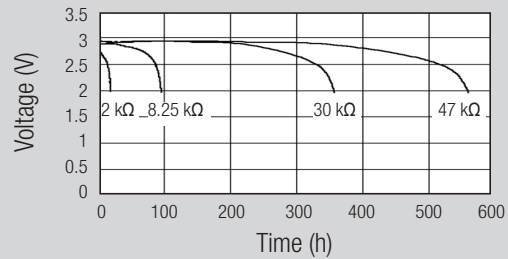
Cell capacity at various loads



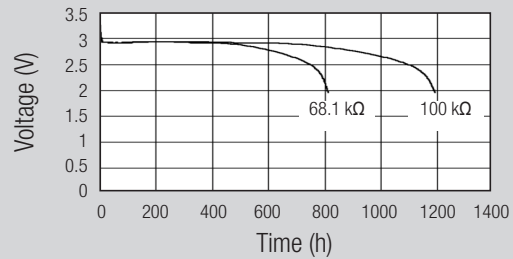
CR1216 MFR  Rated capacity: 30 mAh
Average weight: 0.7 g



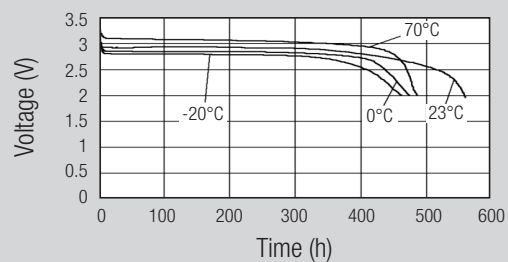
Discharge performance at 23°C



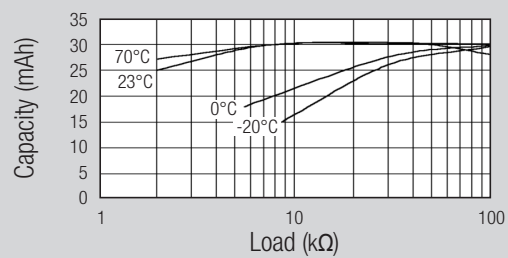
Discharge performance at 23°C

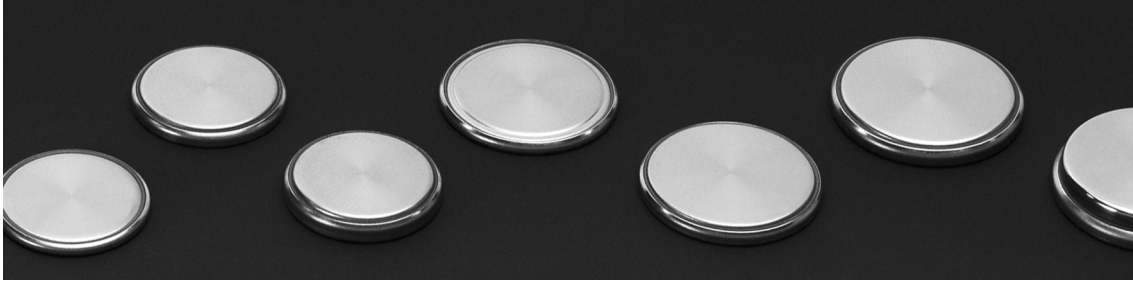


Temperature performance Load 47 kΩ



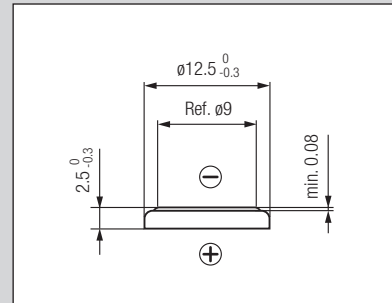
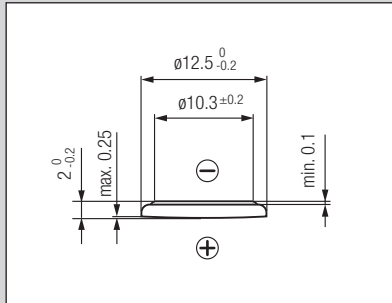
Cell capacity at various loads



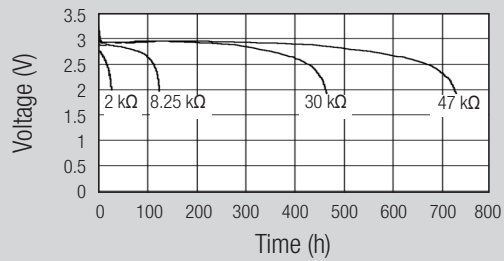


CR1220 MFR  Rated capacity: 40 mAh
Average weight: 0.8 g

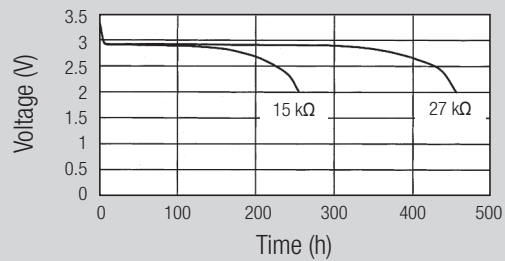
CR1225  Rated capacity: 48 mAh
Average weight: 0.9 g



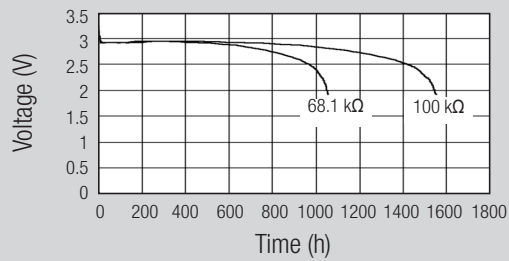
Discharge performance at 23°C



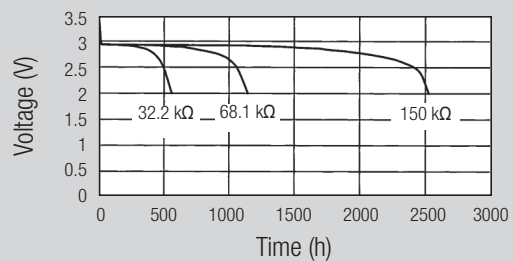
Discharge performance at 23°C



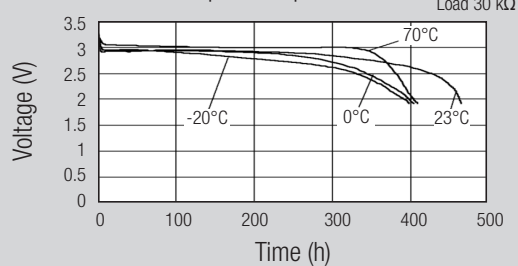
Discharge performance at 23°C



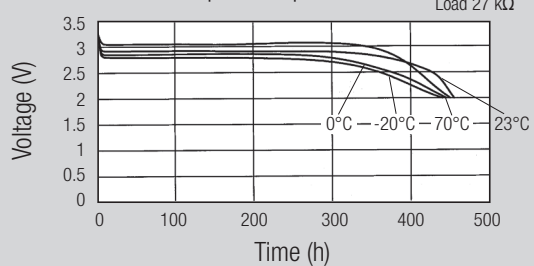
Discharge performance at 23°C



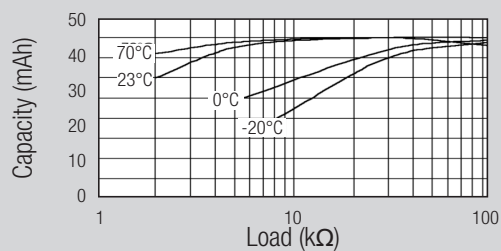
Temperature performance



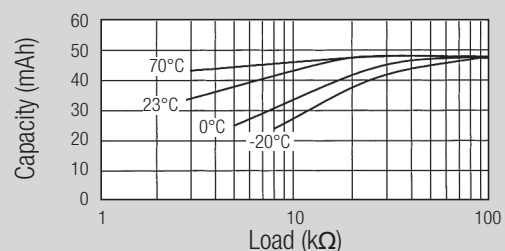
Temperature performance



Cell capacity at various loads



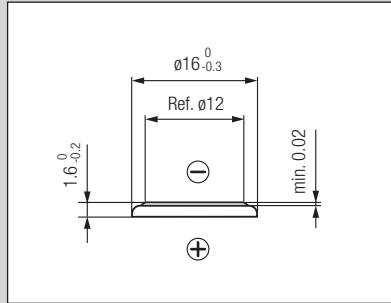
Cell capacity at various loads



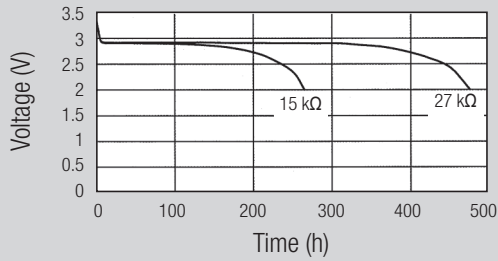
Coin Cells

Standard bare coin cells

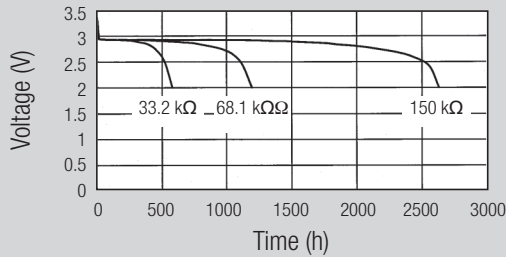
CR1616  Rated capacity: 50 mAh
Average weight: 1.1 g



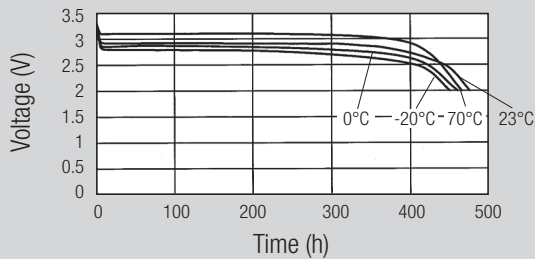
Discharge performance at 23°C



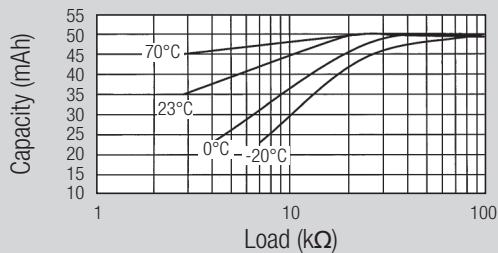
Discharge performance at 23°C



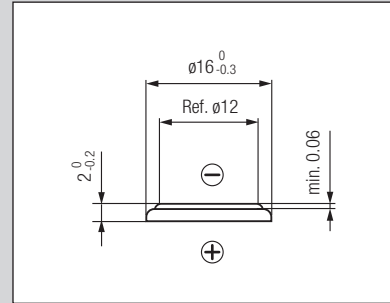
Temperature performance Load 27 kΩ



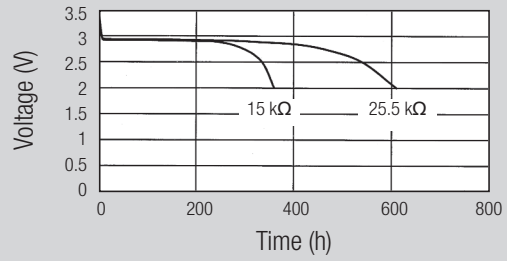
Cell capacity at various loads



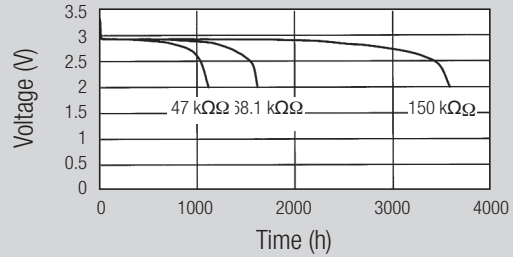
CR1620  Rated capacity: 68 mAh
Average weight: 1.2 g



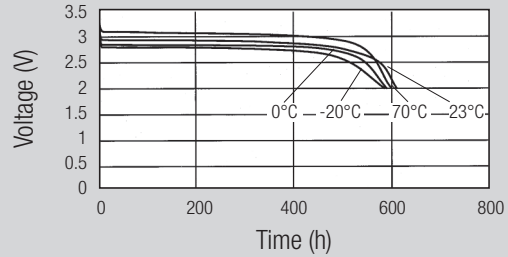
Discharge performance at 23°C



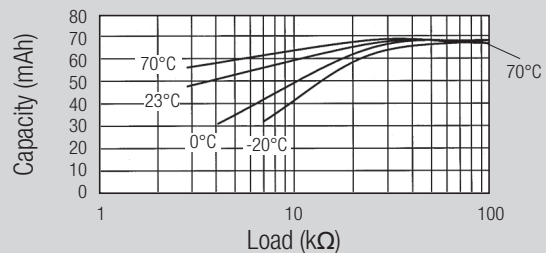
Discharge performance at 23°C

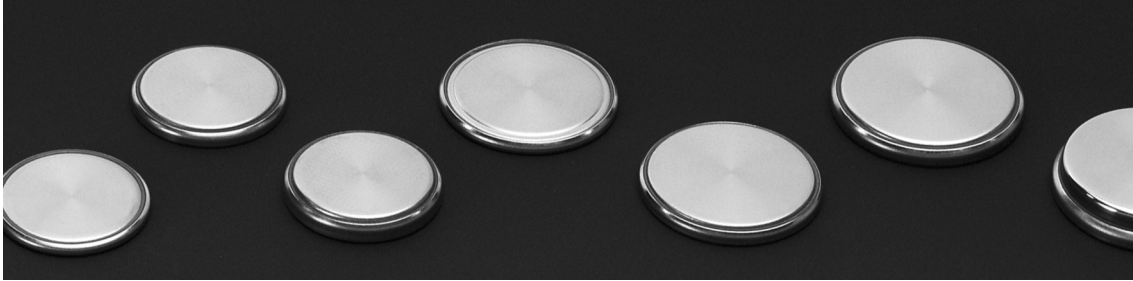



Temperature performance Load 25.5 kΩ



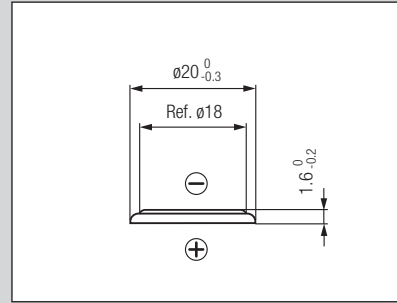
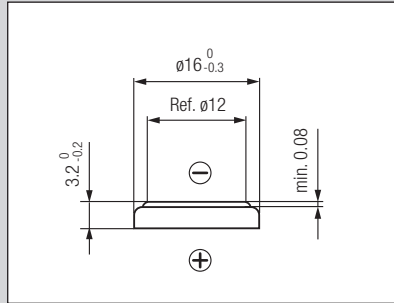
Cell capacity at various loads



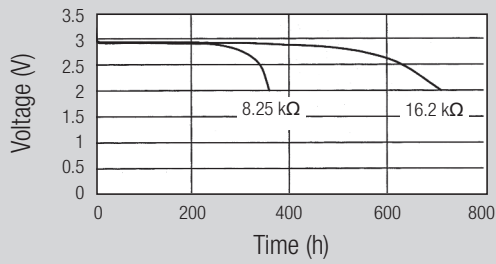


CR1632  Rated capacity: 125 mAh
Average weight: 1.8 g

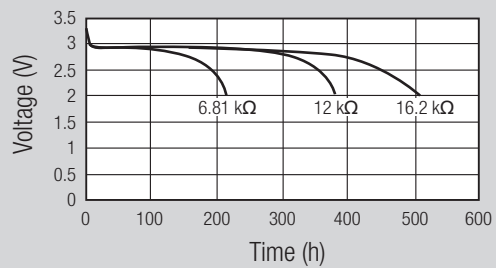
CR2016 MFR  Rated capacity: 90 mAh
Average weight: 1.7 g



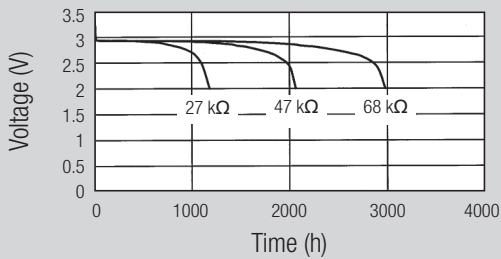
Discharge performance at 23°C



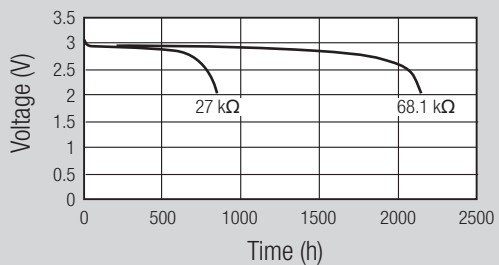
Discharge performance at 23°C



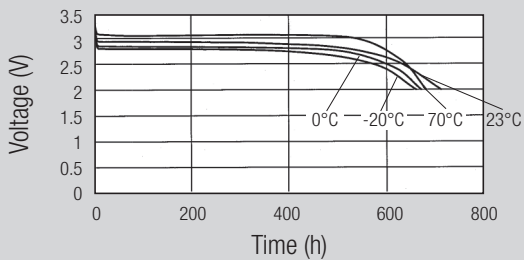
Discharge performance at 23°C



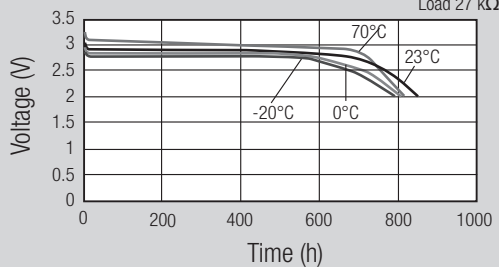
Discharge performance at 23°C



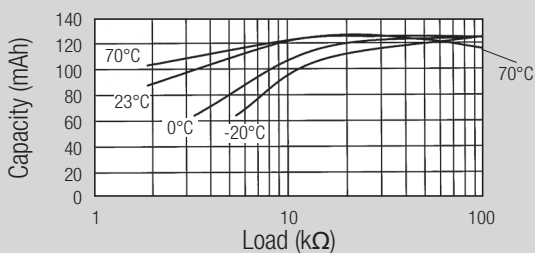
Temperature performance Load 16.2 kΩ



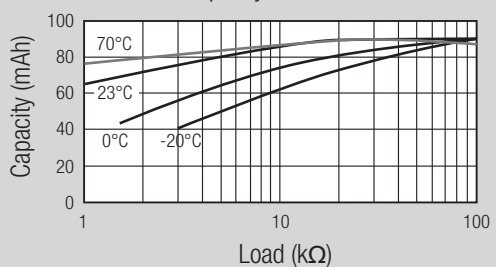
Temperature performance Load 27 kΩ



Cell capacity at various loads



Cell capacity at various loads



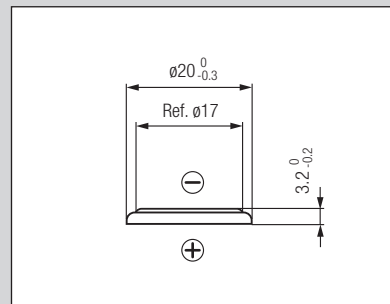
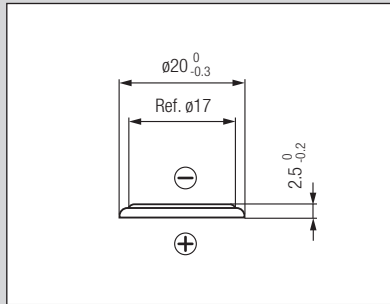
Coin Cells

Standard bare coin cells

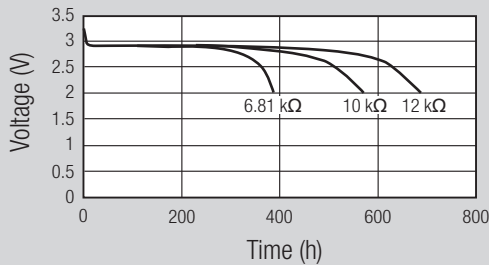


CR2025 MFR  Rated capacity: 165 mAh
Average weight: 2.5 g

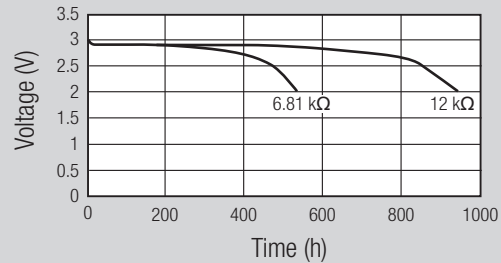
CR2032 MFR  Rated capacity: 225 mAh
Average weight: 2.8 g



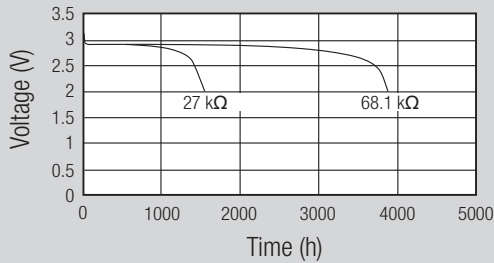
Discharge performance at 23°C



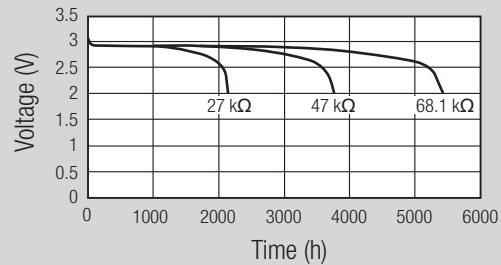
Discharge performance at 23°C



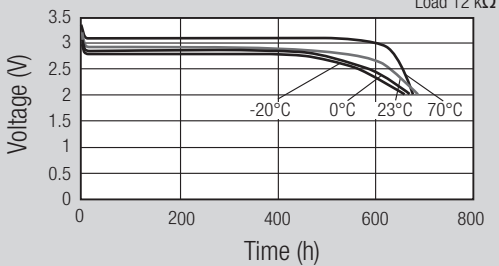
Discharge performance at 23°C



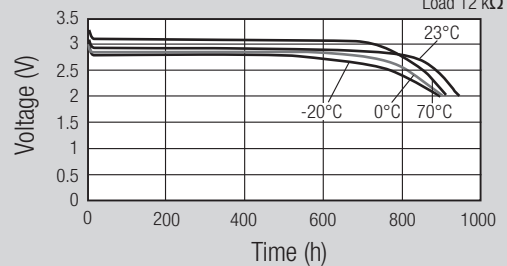
Discharge performance at 23°C



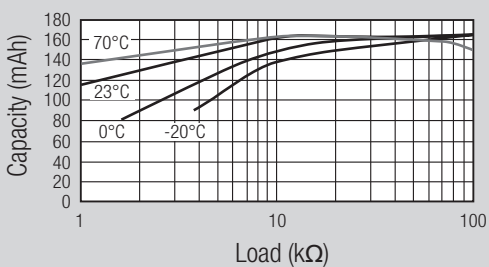
Temperature performance



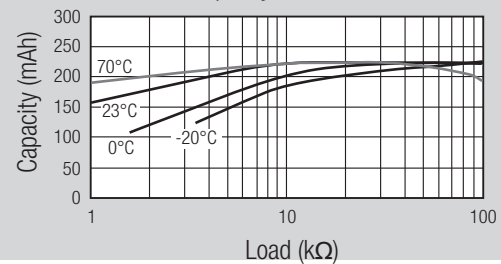
Temperature performance

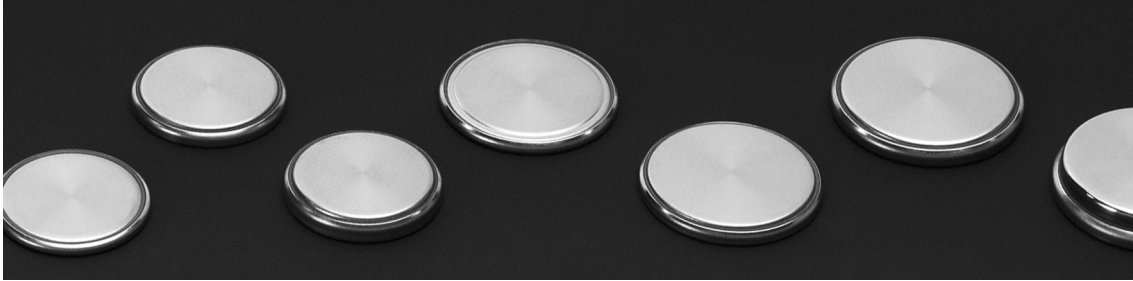



Cell capacity at various loads




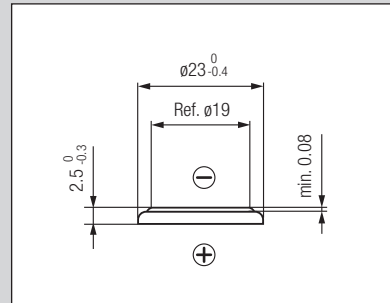
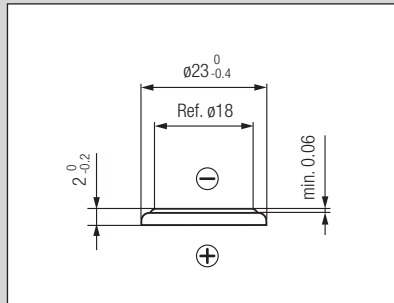
Cell capacity at various loads



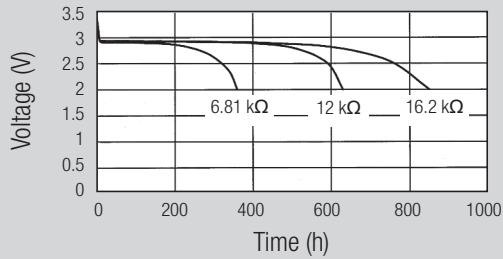


CR2320  Rated capacity: 150 mAh
Average weight: 2.7 g

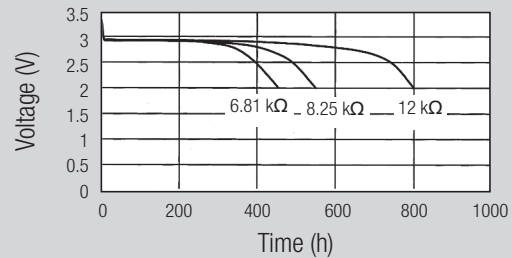
CR2325  Rated capacity: 190 mAh
Average weight: 3.0 g



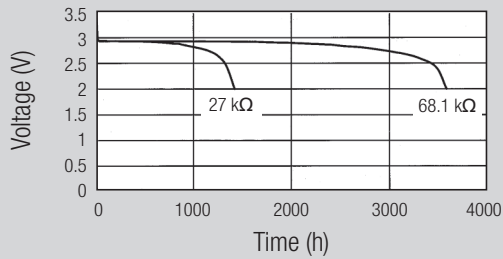
Discharge performance at 23°C



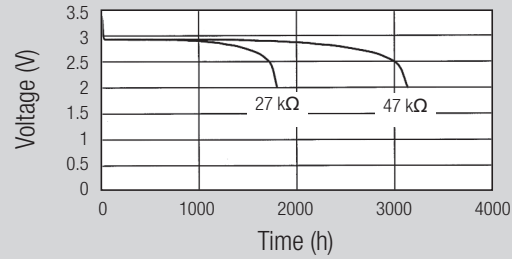
Discharge performance at 23°C



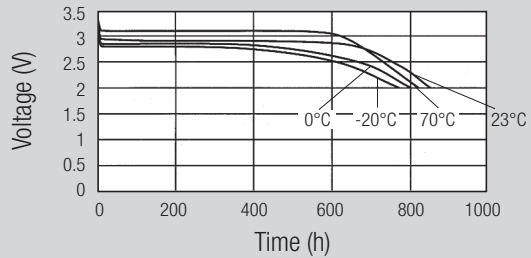
Discharge performance at 23°C



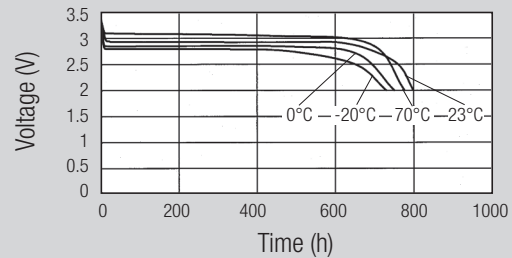
Discharge performance at 23°C



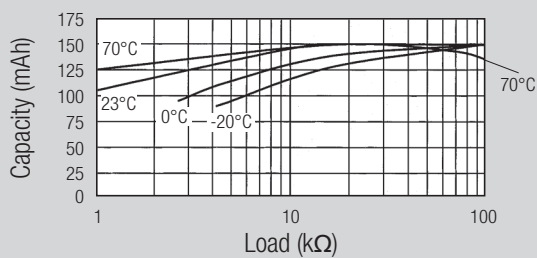
Temperature performance Load 16.2 kΩ



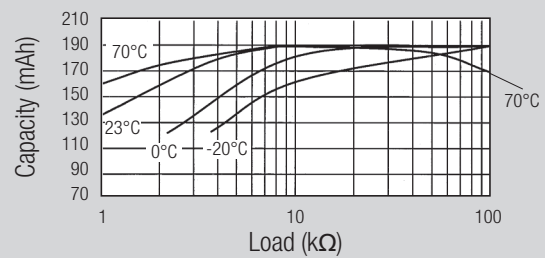
Temperature performance Load 12 kΩ



Cell capacity at various loads




Cell capacity at various loads

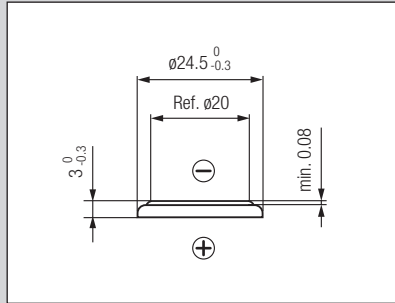


Coin Cells

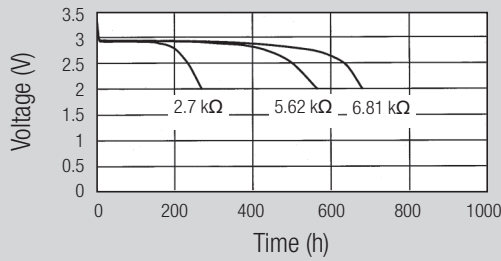
Standard bare coin cells



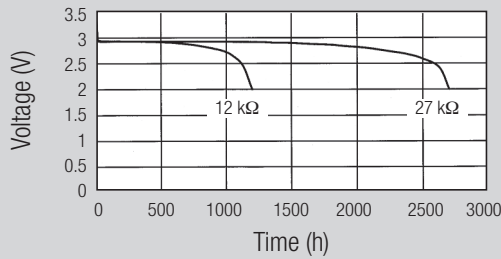
CR2430  Rated capacity: 285 mAh
Average weight: 4.1 g



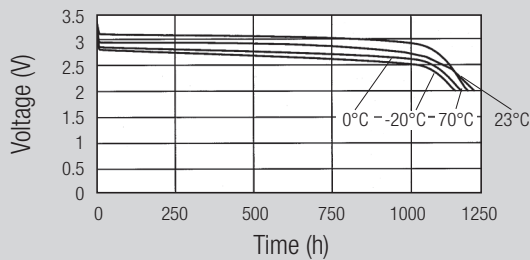
Discharge performance at 23°C



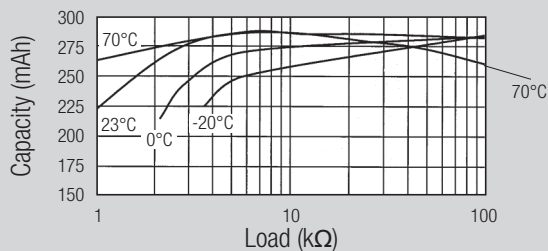
Discharge performance at 23°C



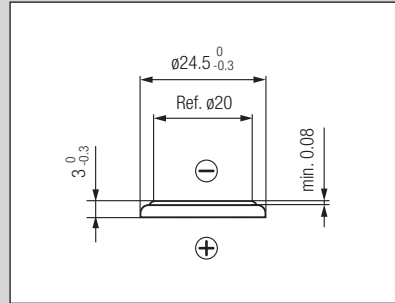
Temperature performance Load 12 kΩ



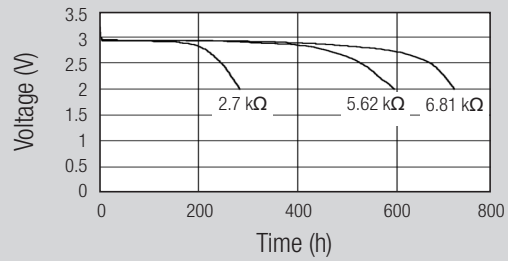
Cell capacity at various loads



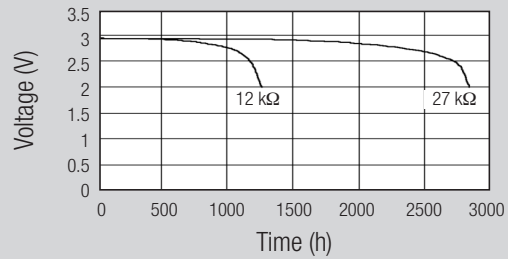
CR2430 MFR  Rated capacity: 300 mAh
Average weight: 4.3 g



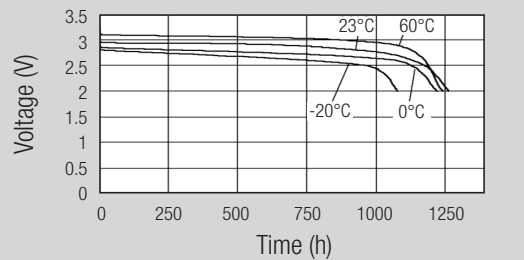
Discharge performance at 23°C



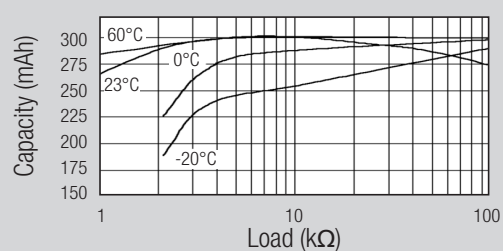
Discharge performance at 23°C

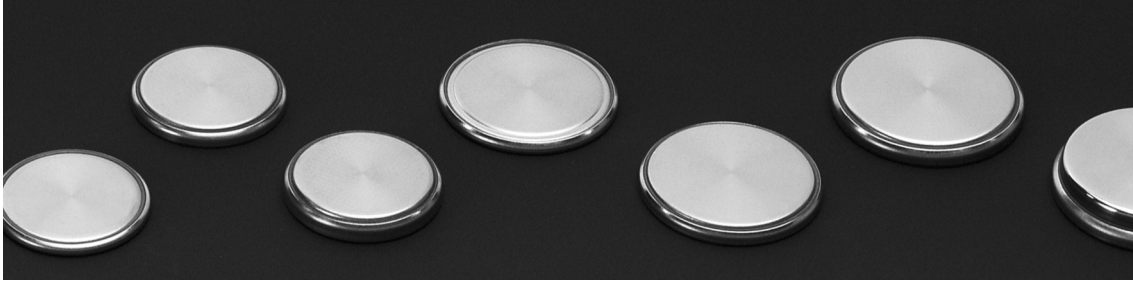


Temperature performance Load 12 kΩ



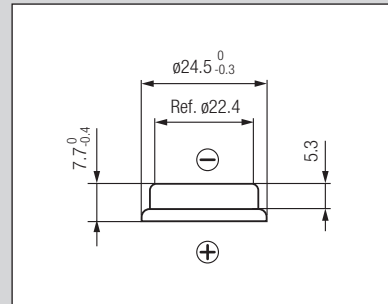
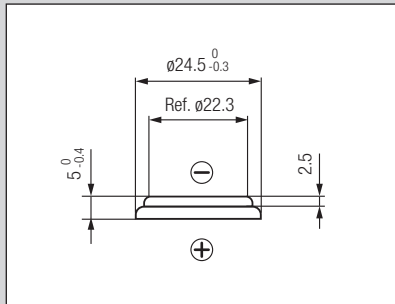
Cell capacity at various loads



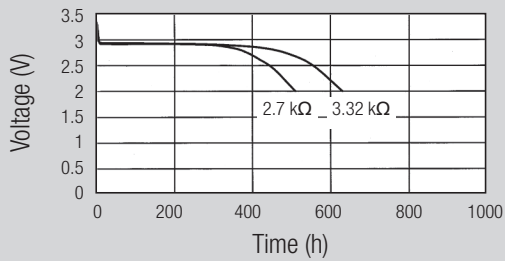


CR2450N  Rated capacity: 540 mAh
Average weight: 5.9 g

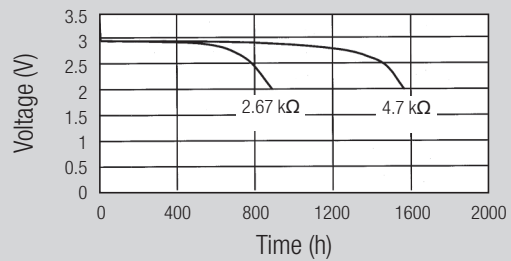
CR2477N * Rated capacity: 950 mAh
Average weight: 8.2 g



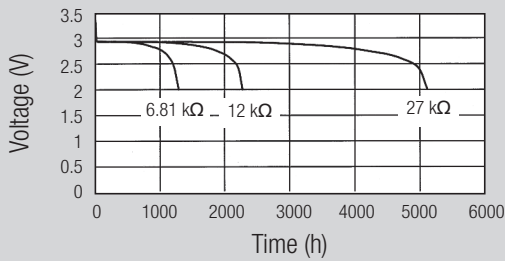
Discharge performance at 23°C



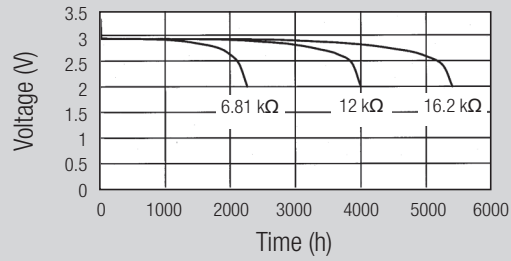
Discharge performance at 23°C



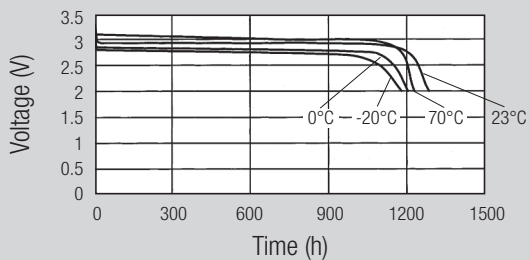
Discharge performance at 23°C



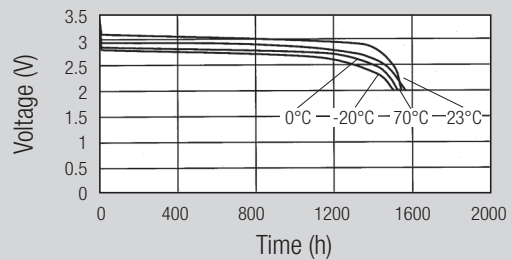
Discharge performance at 23°C



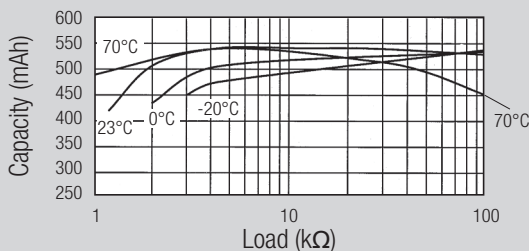
Temperature performance Load 6.81 kΩ



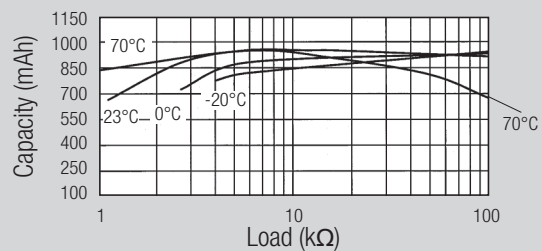
Temperature performance Load 4.7 kΩ



Cell capacity at various loads



Cell capacity at various loads



* Battery is not user replaceable