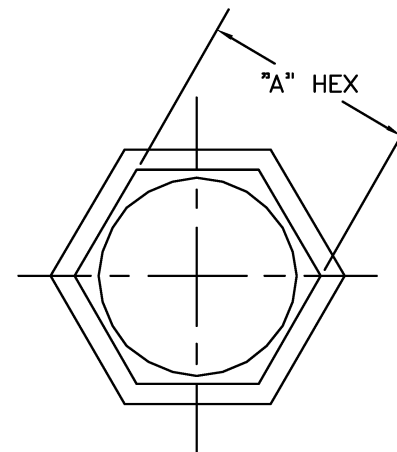
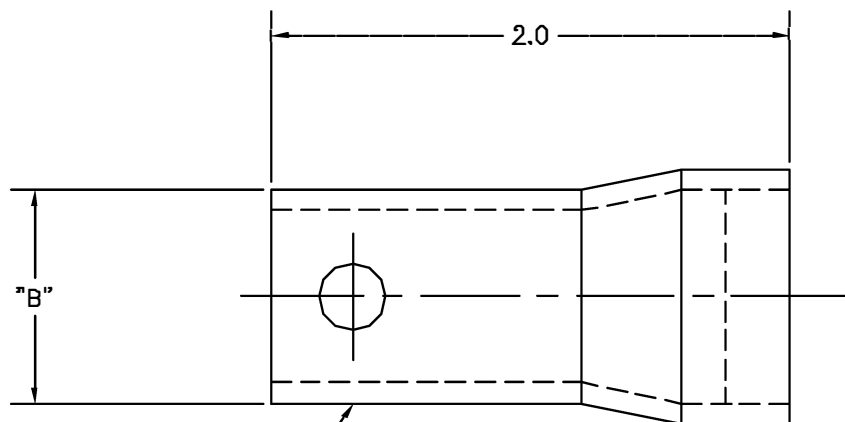


**UNCONTROLLED DOCUMENT  
WILL NOT BE UPDATED**

REVISIONS				
REV. SYN.	E.C.G. NUMBER	DESCRIPTION	BY DATE	APP'D DATE
1		ORIGINAL RELEASE	JWJ 1/3/01	RRR 1/3/01



"DANIELS"  
"USA"  
"CSXX"

PART NO.	"A" HEX NOM.	"B"
CS32	2 5/8	Ø2.75
CS24-1	2 1/8	Ø2.25
CS22-1	2	Ø2.12
CS24	1 13/16	Ø2.00
CS22	1 11/16	Ø1.87
CS20	1 9/16	Ø1.75
CS18	1 7/16	Ø1.62
CS16	1 5/16	Ø1.50
CS14	1 3/16	Ø1.37
CS12	1 1/16	Ø1.25
CS10	7/8	Ø1.06
CS8	3/4	Ø0.93

<b>RESTRICTED &amp; CONFIDENTIAL</b>  CONFIDENTIAL PROPERTY OF DANIELS MANUFACTURING CORP. NOT TO BE DISCLOSED TO OTHERS, REPRODUCED OR USED FOR ANY OTHER PURPOSE EXCEPT AS AUTHORIZED IN WRITING BY DANIELS MANUFACTURING. MUST BE RETURNED TO DANIELS MANUFACTURING CORP. ON COMPLETION OF ORDER OR OTHER PURPOSE FOR WHICH LENT.	MATERIAL	ITEM	PART NO.	QTY.	DESCRIPTION/REMARKS
	HEAT TREAT	DRN	J. JOYCE	DATE	1/3/01
		CHK'D.	RRR	DATE	1/3/01
	FINISH	APP'D.		DATE	
APP'D.			DATE		
DO NOT SCALE DRAWING		TITLE		JAM NUT WRENCH ENVELOPE DRAWING	
		WHERE USED:		SIZE	SCALE
				B	NTS
				POSTING	TDE
				CAD P/N	CSXX-ENV
				P/N	CSXX-ENV
				SHEET	1
				OF	1
				REV.	1