

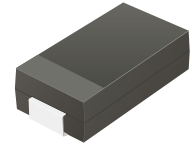
CSFB304-HF Thru. CSFB308-HF

Reverse Voltage: 200 to 600 Volts

Forward Current: 3.0 Amp

RoHS Device

Halogen free

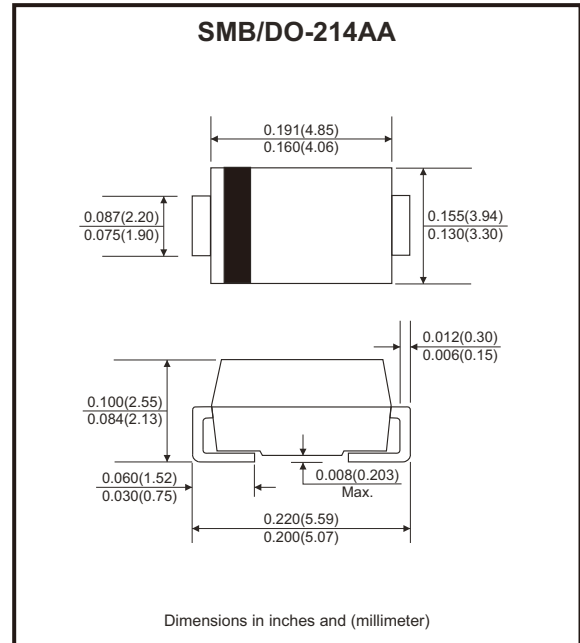


Features

- High current capability.
- High surge current capability.
- Low reverse current.

Mechanical data

- Case: DO-214AA / SMB, molded plastic.
- Epoxy: UL flammability classification rate 94V-0.
- Terminals: Lead free plating (Tin finish)
Solderable per MIL-STD-202, method 208.
- Polarity: Color band denotes cathode end.
- Weight: 0.092 grams (approximate).



Circuit diagram



Maximum Ratings and Electrical Characteristics (at TA=25°C unless otherwise noted)

Parameter	Symbol	CSFB304-HF	CSFB306-HF	CSFB308-HF	Unit
Max. Repetitive peak reverse voltage	V _{RRM}	200	400	600	V
Max. RMS voltage	V _{RMS}	140	280	420	V
Max. DC blocking voltage	V _{DC}	200	400	600	V
Max. Average forward rectified current	I _F	3			A
Peak forward surge current, 8.3ms single half sine-wave superimposed on rated load	I _{FSM}	80			A
Max. Instantaneous forward voltage I _F =3A @ 25°C	V _F	0.98	1.3	1.75	V
Max. DC reverse current @T _A =25°C at Rated DC blocking voltage @T _A =100°C	I _R	5 100			μA
Typical junction capacitance (Note 1)	C _J	60			pF
Max. Reverse recovery time (Note 2)	T _{rr}	35			ns
Typical thermal resistance	R _{θJC}	35			°C/W
Operating temperature range	T _J	-55 to +150			°C
Storage temperature range	T _{STG}	-55 to +150			°C

Note: 1. Measured at 1.0MHz and applied reverse voltage of 4V DC.
 2. Measured with I_F=0.5A, I_R=1A, I_{RR}=0.25A.
 3. Device mounted on FR-4 substrate, 0.4" * 0.5", 2oz, single-sided, PCB with 0.2" * 0.25" copper pad.

Company reserves the right to improve product design , functions and reliability without notice. REV:A

Rating and Characteristics Curvers (CSFB304-HF Thru. CSFB308-HF)

Fig.1 - Typical Forward Current Derating Curve

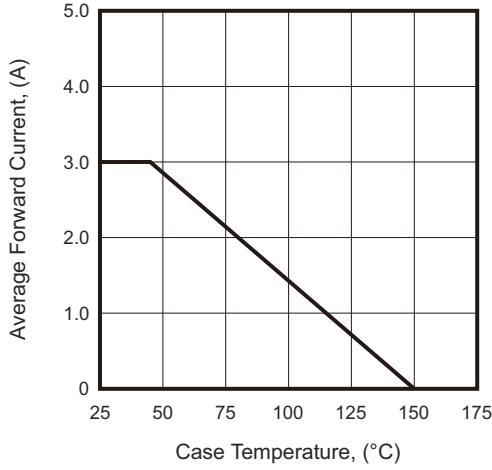


Fig.2 - Typical Forward Characteristics

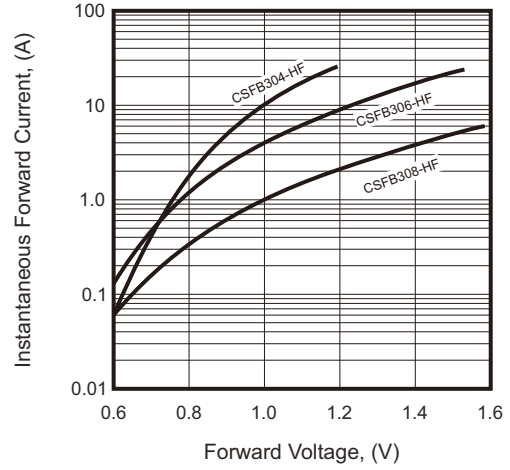


Fig.3 - Maximum Non-repetitive Forward Surge Current

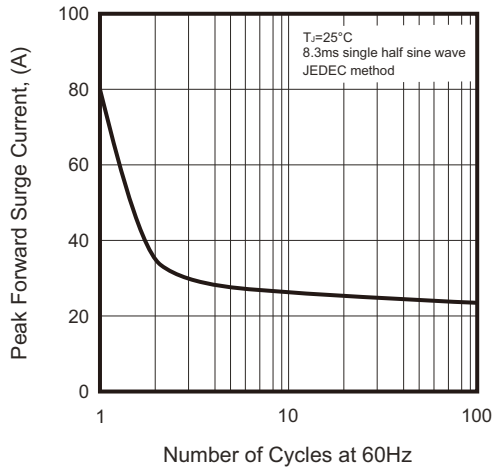


Fig.4 - Typical Reverse Characteristics

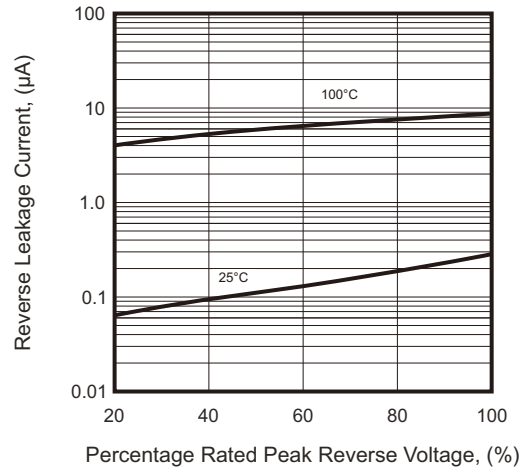
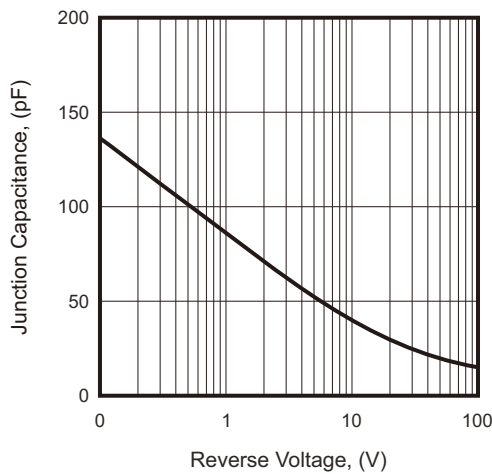
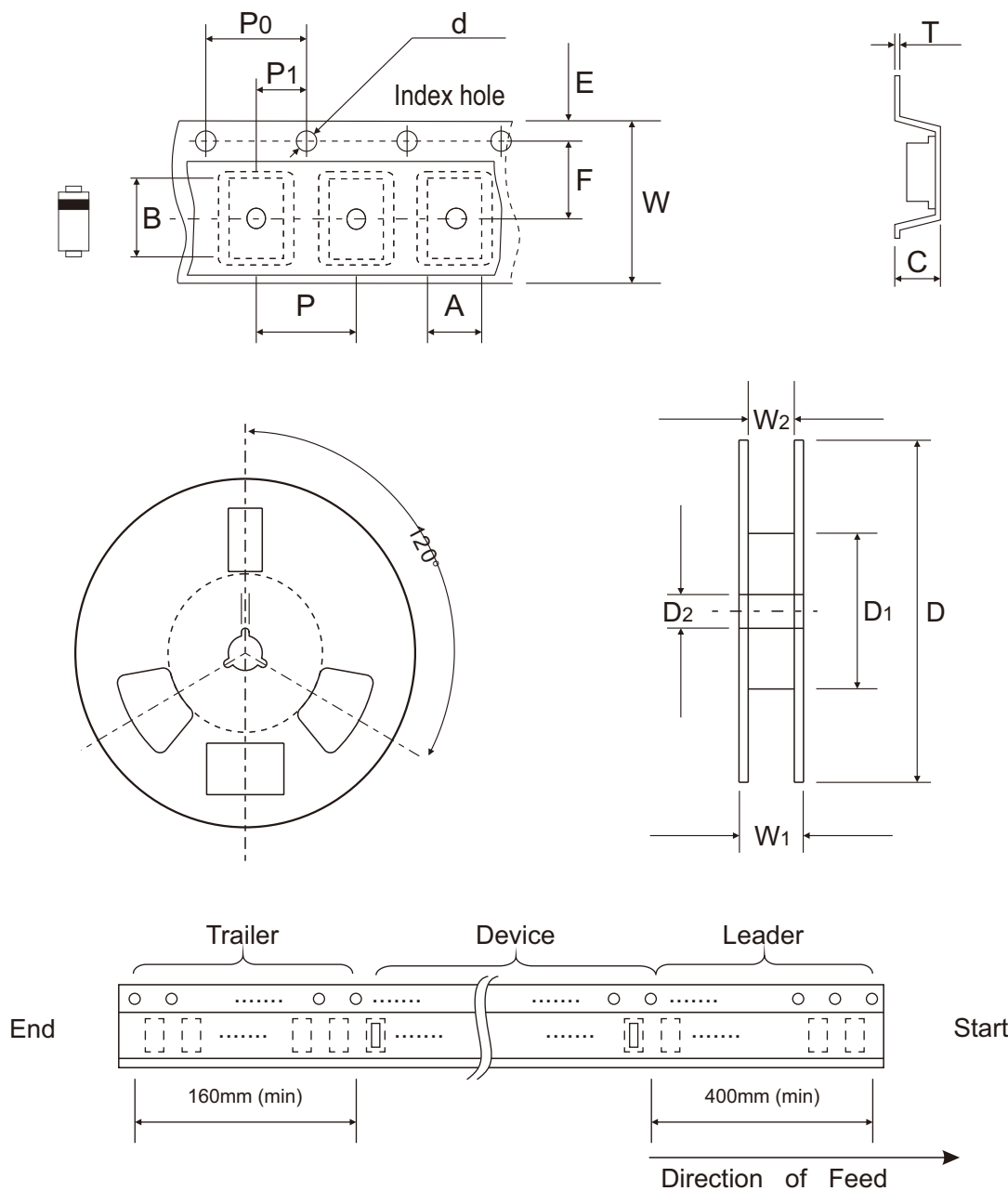


Fig.5 - Typical Junction Capacitance



Reel Taping Specification



DO-214AA (SMB)	SYMBOL	A	B	C	d	D	D1	D2	E
	(mm)	4.00 Max.	5.90 Max.	3.00 Max.	1.50 ± 0.10	330.00 ± 2.00	50.00 Min.	13.50 ± 1.00	1.75 ± 0.10
	(inch)	0.157 Max.	0.232 Max.	0.118 Max.	0.059 ± 0.004	12.992 ± 0.079	1.969 Min.	0.531 ± 0.039	0.069 ± 0.004
DO-214AA (SMB)	SYMBOL	F	P	P0	P1	T	W	W1	W2
	(mm)	5.50 ± 0.05	8.00 ± 0.10	4.00 ± 0.10	2.00 ± 0.05	0.60 Max.	12.00 ± 0.30	18.40 Max.	14.40 Max.
	(inch)	0.217 ± 0.002	0.315 ± 0.004	0.157 ± 0.004	0.079 ± 0.002	0.024 Max.	0.472 ± 0.012	0.724 Max.	0.567 Max.

Company reserves the right to improve product design , functions and reliability without notice. REV:A