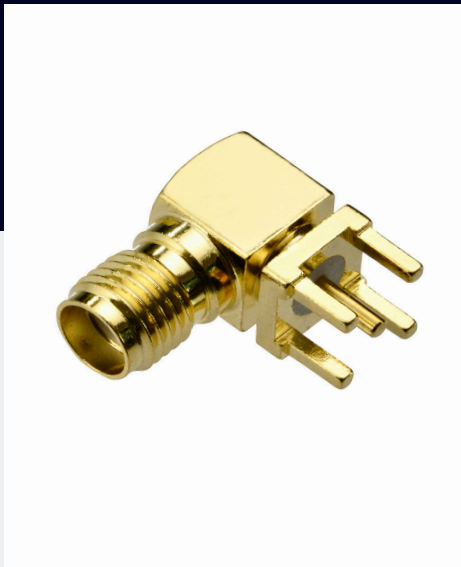


DATASHEET

CSMAJ038 • CONNECTOR



Description

- SMA (F) Jack Right Angle Connector
- Through Hole PCB Mounted
- Dimension – 15.1mm x 13.8mm

Contents

1. Features	2
2. General data	2
3. Part number	3
4. Drawing	3
5. Hazardous Material Regulation Conformance	4

1. Features

PCB mounted SMA connector
 Maximum PCB thickness is 1.6mm
 SMA F (Female) 90 degrees connector
 Gold plated for high reliability
 Rated for >500 cycles of connector insertion

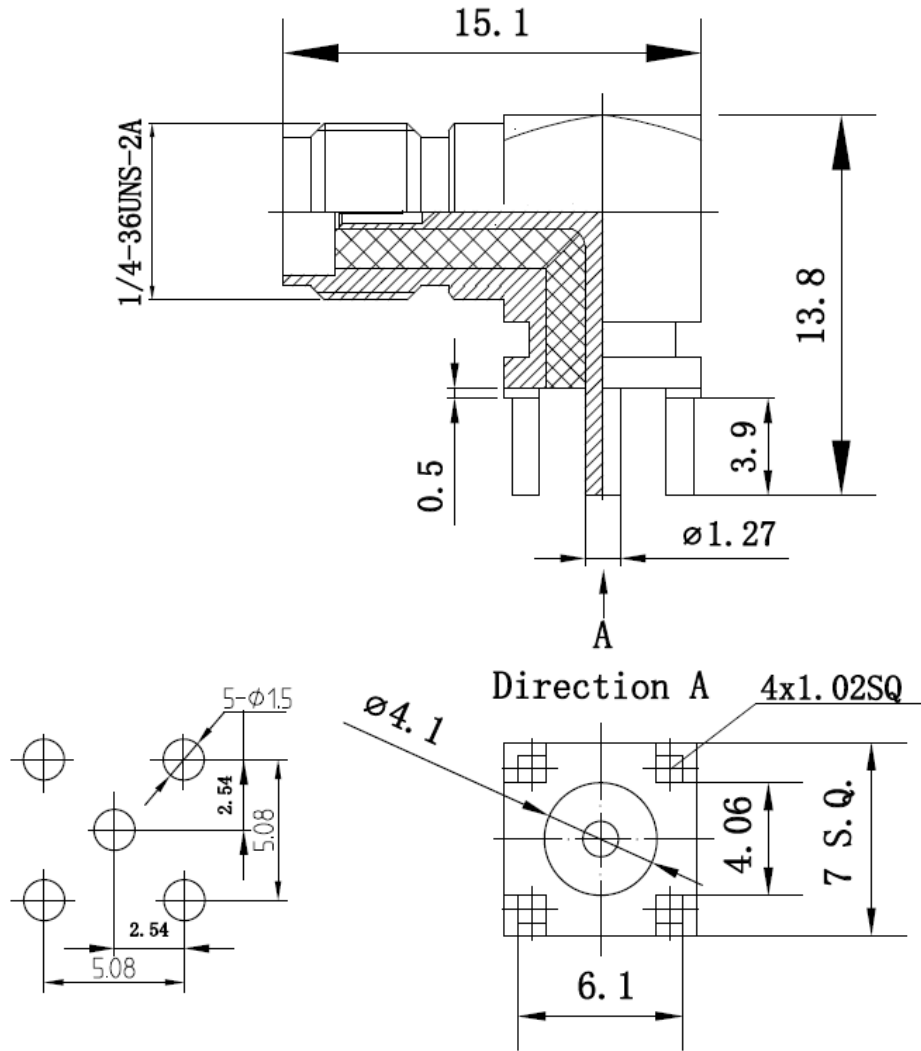
2. General data

ELECTRICAL	
Impedance	50Ω
Frequency Range	DC ~ 6GHz
Working Voltage	Max ≤ 335 Vrms
Dielectric Withstanding Voltage	1000 Vrms
Insulation Resistance	≥ 5000MΩ
Center Contact Resistance	≤ 3mΩ
Outer Contact Resistance	≤ 2.5mΩ
Durability	> 500 cycles
MECHANICAL	
Connector Dimensions	15.1mm * 13.8mm
Connector Dimension	1.27mm
Connector Type	SMA (F) Jack RA
ENVIRON MENTAL	
Hazardous Material Regulation	RoHS compliant
Operating Temperature	-55°C to +155°C

3. Part number

Part Number – CSMAJ038

4. Drawing



		MATERIAL	FINISH	QTY
1	Body	Brass	Gold	1
2	Insulator	Teflon	White	1
3	Contact Pin	Beryllium Copper	Gold	1

5. Hazardous Material Regulation Conformance

The connector has been tested to conform to RoHS requirements.
A certification of conformance is available from Antenova's website.

Quality statements

Antenova's products conform to REACH and RoHS legislation. For our statements regarding these and other quality standards, please see antenova.com.



Antenova reserves all rights to the contents of this document. Antenova gives no warranties based solely on the accuracy or completeness of the contents of this document and reserves the right to make changes to the specifications of the products described herein at any time and without notice.

Datasheet version

1.01 release Mar 15 2023