

MODEL: CSS-10246-108 | **DESCRIPTION:** SPEAKER**FEATURES**

- 10 W rated power
- 8 ohm rated impedance
- 89 dB at 1 W

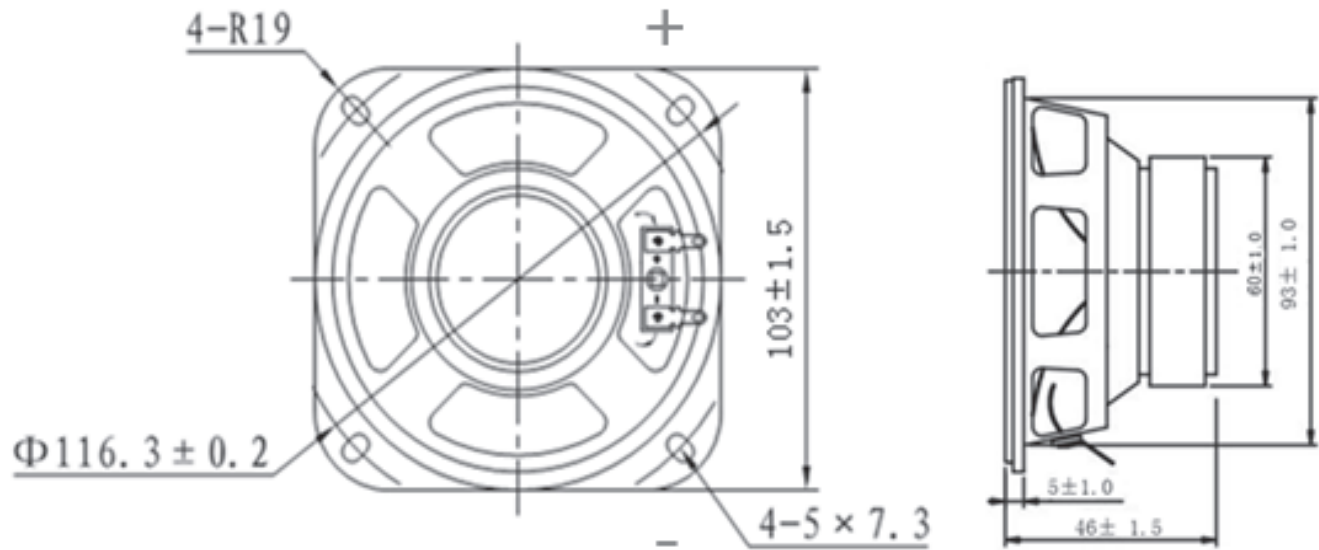
**SPECIFICATIONS**

parameter	conditions/description	min	typ	max	units
input power			10.0	12.0	W
impedance	at 1.0 kHz, 1.0 V	6.8	8	9.2	Ω
resonant frequency (Fo)	at 1.0 V	160	200	240	Hz
frequency response		Fo		20,000	Hz
sound pressure level	at 1.0 W, 50 cm, avg at 0.4, 0.6, 0.8, 1.0 kHz in baffleboard	86	89	92	dB
	at 10.0 W, 50 cm, avg at 0.4, 0.6, 0.8, 1.0 kHz in baffleboard	95	98	101	dB
distortion	at 1.0 kHz, 1 W, 50 cm			8	%
buzz, rattle, etc.	must be normal at sine wave, frequency range between Fo~2 kHz			8.94	V
polarity	cone moves forward w/ positive dc current to "+" terminal				
dimensions	103 x 103 x 46				mm
magnet	ferrite				
frame material	SPCC				
cone material	paper				
terminal	solder terminals				
weight		252	280	308	g
operating temperature		-20		60	$^{\circ}\text{C}$
storage temperature		-25		70	$^{\circ}\text{C}$
hand soldering	for maximum 3 seconds			380	$^{\circ}\text{C}$
RoHS	yes				

Notes: 1. All specifications measured at 15~35 $^{\circ}\text{C}$, humidity at 25~75%, under 86~106 kPa pressure, unless otherwise noted.

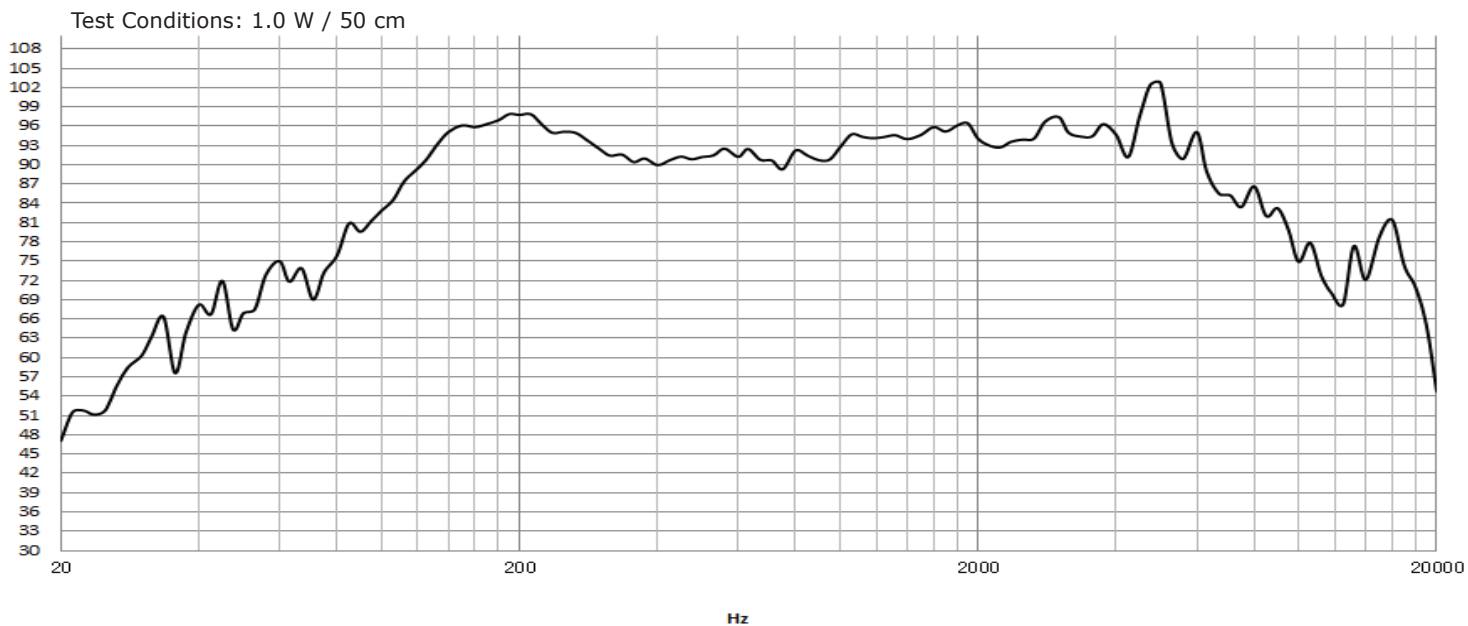
MECHANICAL DRAWING

units: mm
tolerance: ± 0.5 mm

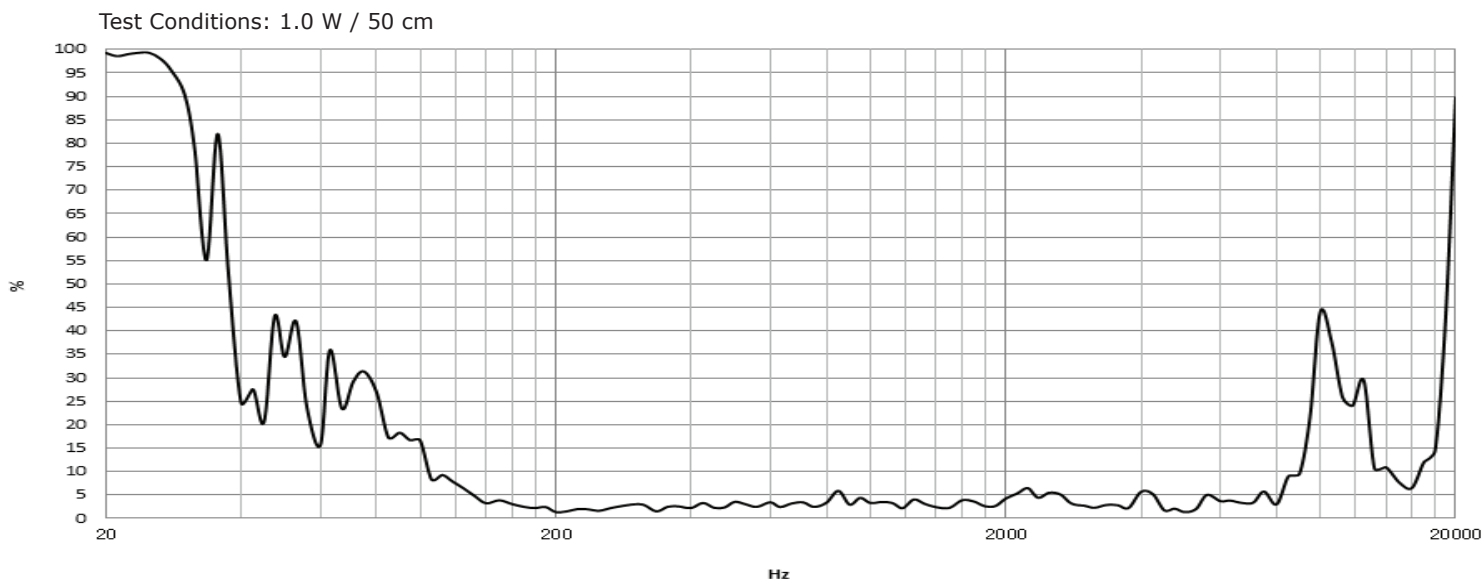


RESPONSE CURVES

Frequency Response Curve



Total Harmonic Distortion Curve



PACKAGING

units: mm

Carton Size: 400 x 300 x 310 mm
Carton QTY: 45 pcs per carton

