

MODEL: CSS-12048-208 | **DESCRIPTION:** SPEAKER**FEATURES**

- 10 W rated power
- 8 ohm rated impedance
- 90 dB at 1 W

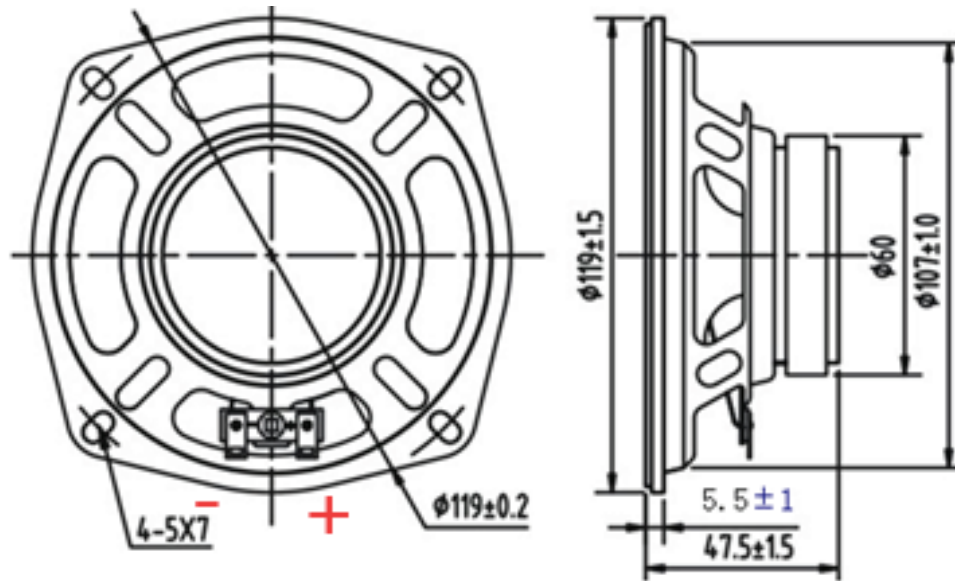
**SPECIFICATIONS**

parameter	conditions/description	min	typ	max	units
input power			10.0	15.0	W
impedance	at 1.0 kHz, 1.0 V	6.8	8	9.2	Ω
resonant frequency (Fo)	at 1.0 V	80	100	120	Hz
frequency response		Fo		20,000	Hz
sound pressure level	at 1.0 W, 50 cm, at 1.0 kHz in baffleboard	87	90	93	dB
	at 10.0 W, 50 cm, at 1.0 kHz in baffleboard	96	99	102	dB
distortion	at 1.0 kHz, 1 W, 50 cm			8	%
buzz, rattle, etc.	must be normal at sine wave, frequency range between Fo~10 kHz			12.60	V
polarity	cone moves forward w/ positive dc current to "+" terminal				
dimensions	\varnothing 119 x 47.5				mm
magnet	ferrite				
frame material	SPCC				
cone material	paper				
terminal	solder terminals				
weight		265	290	315	g
operating temperature		-20		60	$^{\circ}$ C
storage temperature		-25		70	$^{\circ}$ C
hand soldering	for maximum 3 seconds			380	$^{\circ}$ C
RoHS	yes				

Notes: 1. All specifications measured at 15~35 $^{\circ}$ C, humidity at 45~85%, under 86~106 kPa pressure, unless otherwise noted.

MECHANICAL DRAWING

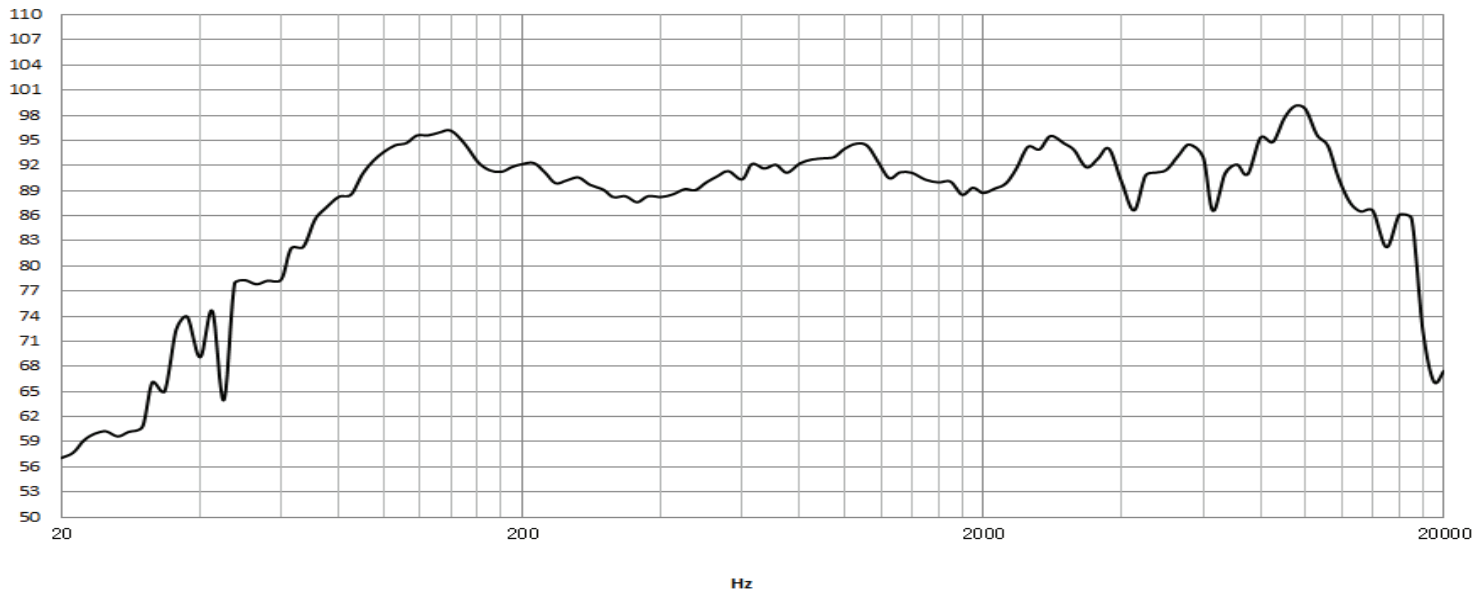
units: mm
tolerance: ± 0.5 mm



RESPONSE CURVES

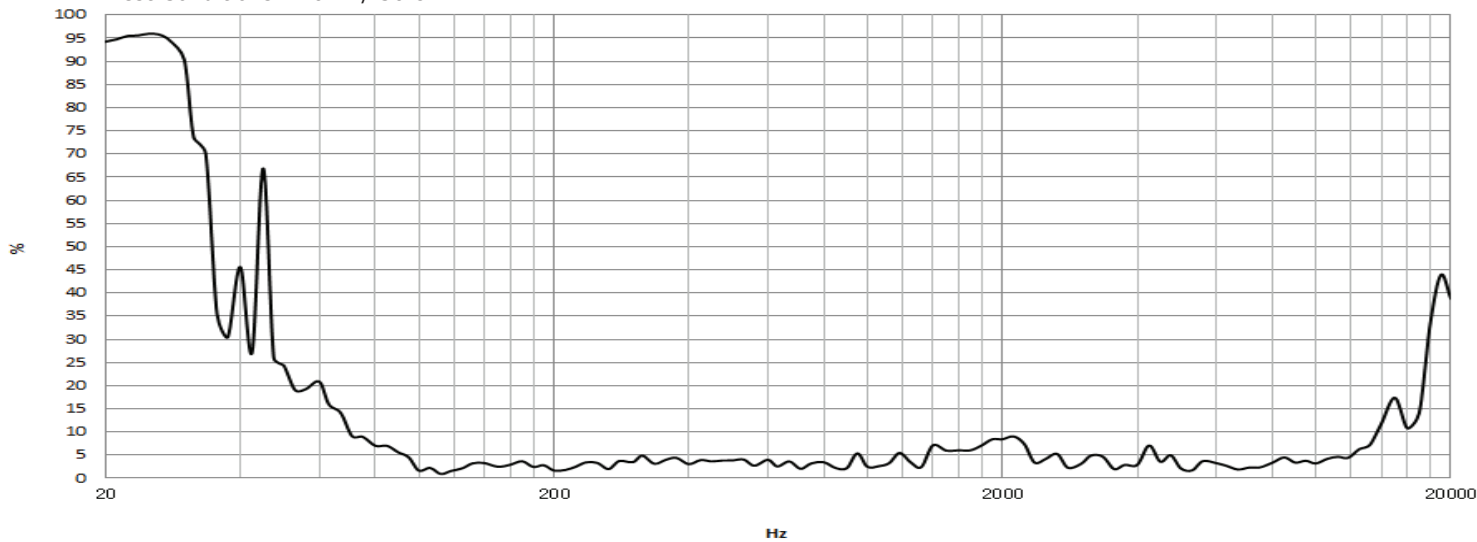
Frequency Response Curve

Test Conditions: 1.0 W / 50 cm



Total Harmonic Distortion Curve

Test Conditions: 1.0 W / 50 cm



PACKAGING

units: mm

Carton Size: 350 x 300 x 310 mm
Carton QTY: 30 pcs per carton

