

**MODEL:** CSS-40408N | **DESCRIPTION:** SPEAKER**FEATURES**

- 100 dB SPL
- 440 Hz resonant frequency
- Nd-Fe-B magnet

**SPECIFICATIONS**

parameter	conditions/description	min	typ	max	units
input power	maximum power: IEC-60268-5, filter 60s on/120s off, 10 cycles at room temp		5.0	8.0	W
impedance	at 1.0 kHz	6.8	8	9.2	$\Omega$
resonant frequency (Fo)	at 1.0 V	352	440	528	Hz
frequency response	output SPL -10 dB	Fo		20,000	Hz
sound pressure level	at 1 W, 0.1 m ave, at 0.6, 0.8, 1.0, 1.2 kHz	97	100	103	dB
distortion	at 1.0 kHz, 1 W			5	%
buzz, rattle, etc.	must be normal at sine wave between Fo ~ 20,000 Hz		6.32		V
dimensions	40.1 x 40.1 x 14.5				mm
magnet	Nd-Fe-B				
material	ABS777D				
cone material	mylar				
terminal	solder terminals				
weight			44		g
operating temperature		-20		60	$^{\circ}$ C
storage temperature		-40		70	$^{\circ}$ C
RoHS	yes				

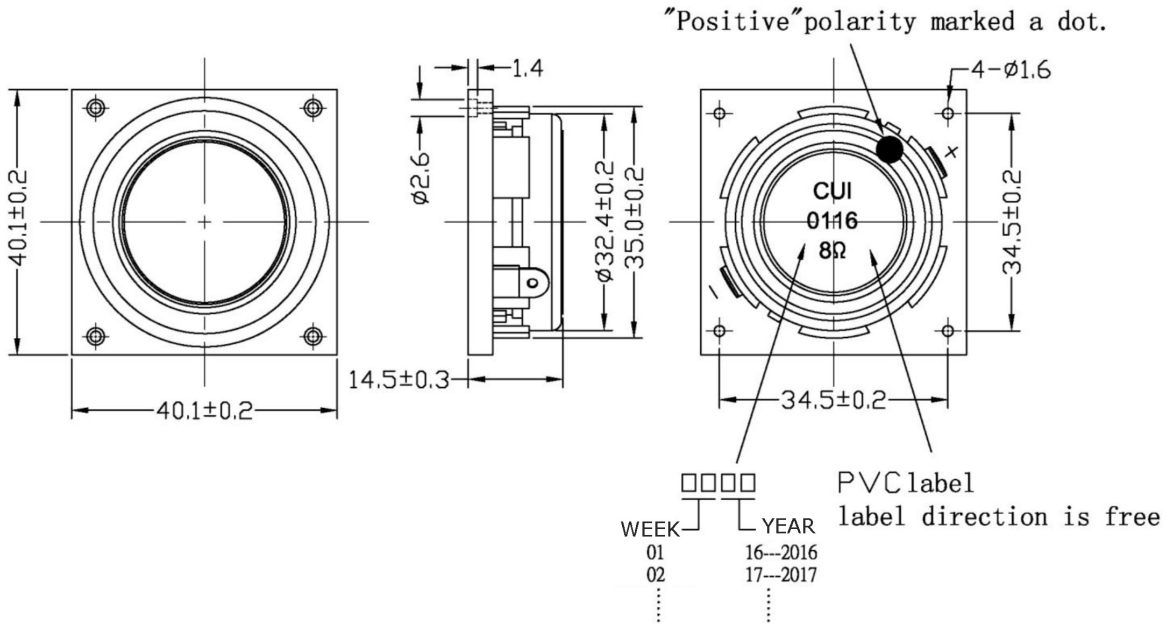
Notes: 1. All specifications measured at 15~35 $^{\circ}$ C, humidity at 45~85%, under 86~106 kPa pressure, unless otherwise noted.

**SOLDERABILITY**

parameter	conditions/description	min	typ	max	units
hand soldering	for 3 $\pm$ 1 seconds	360	370	380	$^{\circ}$ C

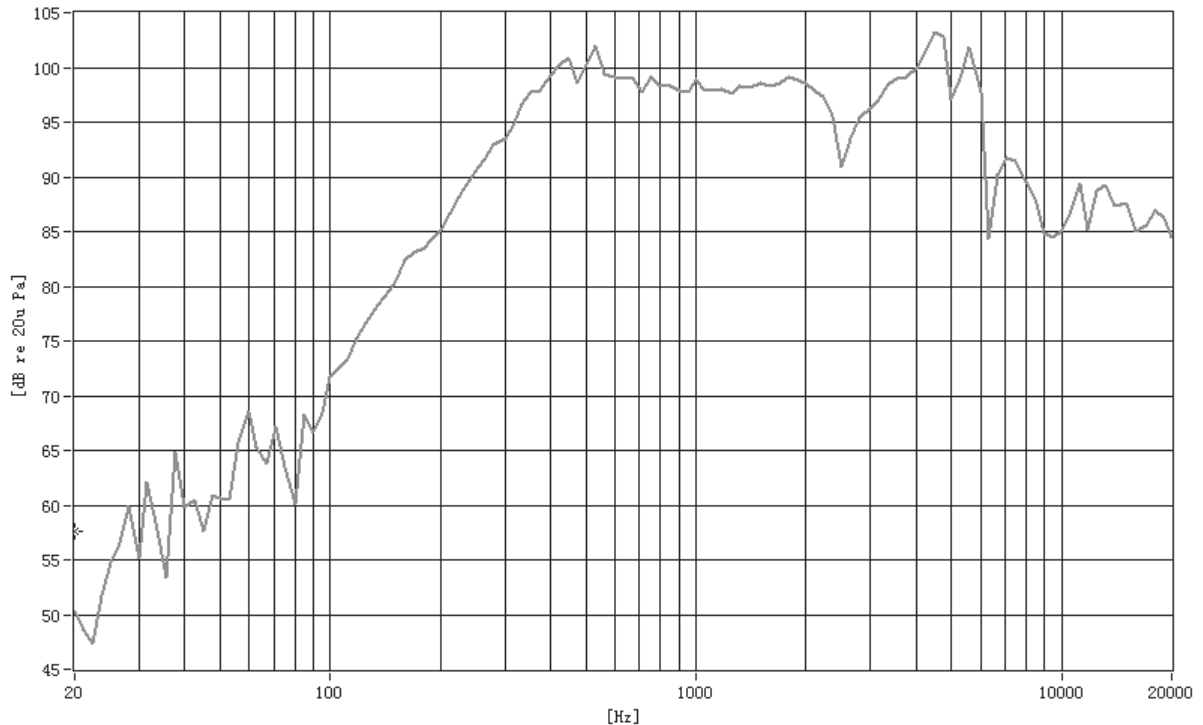
## MECHANICAL DRAWING

units: mm  
tolerance:  $\pm 0.2$  mm



## FREQUENCY RESPONSE CURVE

Frequency Response.Magn dB re 20.00 $\mu$  PA (at 1 W/0.1 m)



## PACKAGING

units: mm

Carton Size: 315 x 315 x 285 mm  
 Tray QTY: 30 pcs per tray  
 Carton QTY: 240 pcs per carton

