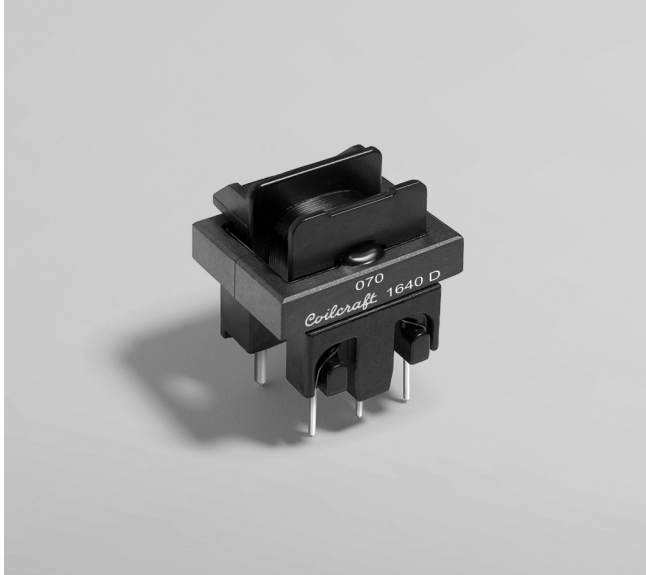


Current Sense Transformers CST2020



- AEC-Q200 Grade 1 (–40°C to +125°C)
- Sensed current up to 40 A
- Frequency range 400 Hz – to 1 MHz and above
- Very low primary DC resistance
- Meets Reinforced Insulation per UL 60950-1
- 4000 Vrms, one minute isolation (hipot) between windings

Core material Ferrite

Terminations Tin-silver-copper over tin over copper over steel (pins 1 – 3); Tin-silver-copper over tin over nickel over copper (pins 4 – 5)

Weight 7 – 8.5 g

Ambient temperature –40°C to +125°C

Maximum part temperature +165°C (ambient + temp rise)

Storage temperature Component: –40°C to +165°C.

Tray packaging: –40°C to +80°C

Moisture Sensitivity Level (MSL) 1 (unlimited floor life at <30°C / 85% relative humidity)

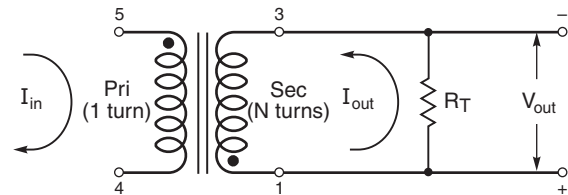
Packaging 100 per tray

PCB washing Tested to MIL-STD-202 Method 215 plus an additional aqueous wash. See [Doc787_PCB_Washing.pdf](#).

Part number	Turns (N) pri:sec	Inductance ¹ min (mH)	DCR max (Ohms)		Frequency range ² (kHz)	Volt-time product ³ (Vµsec)	Sensed current I_{in} ⁴ max (A)	Terminating resistance R_T ⁵ (Ohms)
			pri	sec				
CST2020-070L	1:70	3.46	0.00084	0.83	1.8 – >1000	277	40	1.75
CST2020-100L	1:100	7.07	0.00084	1.23	1.3 – >1000	395	40	2.5
CST2020-200L	1:200	28.28	0.00084	3.95	0.60 – >1000	791	40	5.0
CST2020-300L	1:300	63.63	0.00084	7.84	0.40 – >1000	1186	40	7.5

1. Inductance measured between secondary pins at 10 kHz, 0.1 Vrms, 0 Adc.
 2. For specific questions regarding frequency range, please contact us at cst@coilcraft.com.
 3. Volt-time product is for the secondary, between pin 3 and 1.
 4. Primary current of 40 A causes less than 40°C temperature rise from 25°C ambient. Higher current causes a greater temperature rise (see Temperature Rise vs Current curve).
 5. Terminating resistance (R_T) value is based on 1 Volt output with 40 Amps flowing through the primary. Varying terminating resistance increases or decreases output Voltage/Ampere according to the following equation:
$$R_T = V_{out} \times N_{sec} / I_{in}$$
 6. Electrical specifications at 25°C.
- Refer to Doc 362 "Soldering Surface Mount Components" before soldering.

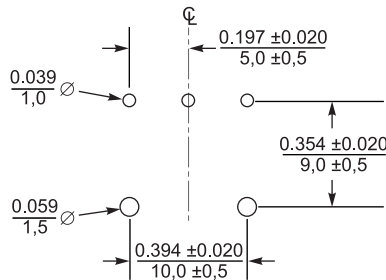
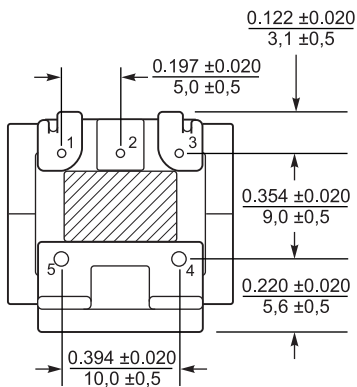
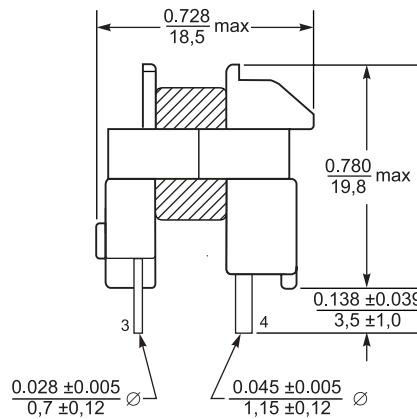
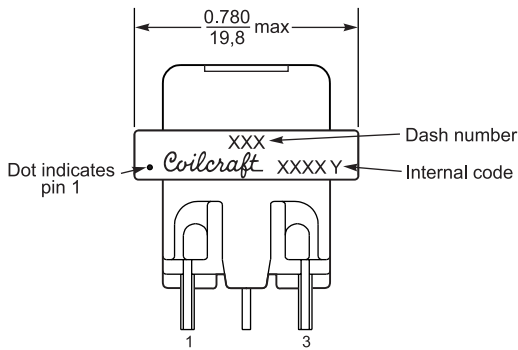
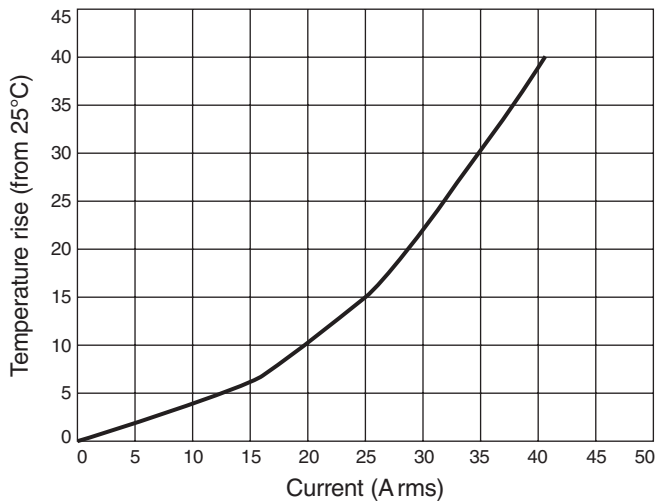
Typical Circuit





CST2020 Current Sense Transformers

Temperature Rise vs Current



Recommended PC Board Layout

Dimensions are in $\frac{\text{inches}}{\text{mm}}$



US +1-847-639-6400 sales@coilcraft.com
UK +44-1236-730595 sales@coilcraft-europe.com
Taiwan +886-2-2264 3646 sales@coilcraft.com.tw
China +86-21-6218 8074 sales@coilcraft.com.cn
Singapore + 65-6484 8412 sales@coilcraft.com.sg

Document 1395-2 Revised 06/15/21
 © Coilcraft Inc. 2021
 This product may not be used in medical or high risk applications without prior Coilcraft approval. Specification subject to change without notice. Please check web site for latest information.