

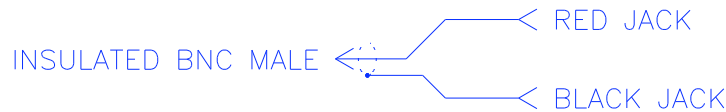
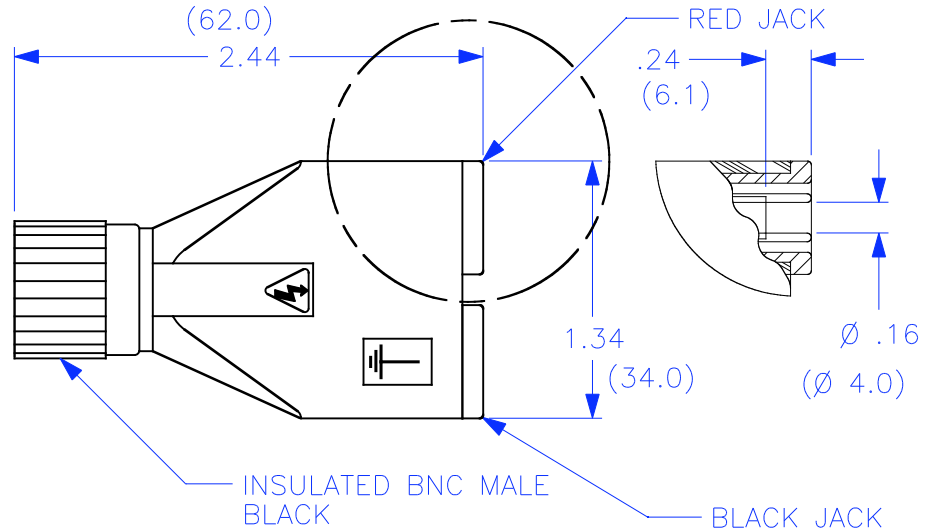
THIS IS ISSUED IN STRICT CONFIDENCE THAT IT IS NOT USED AS A BASIS FOR MANUFACTURE OR SALE AND THAT IT IS NOT COPIED, REPRINTED OR DISCLOSED TO A THIRD PARTY EITHER WHOLLY OR IN PART WITHOUT THE PRIOR WRITTEN CONSENT OF CAL TEST ELECTRONICS, INC.

- INSULATED BNC MALE WITH 4mm SAFETY JACKS.
APPLICATION: ADAPTS BNC FEMALE CONNECTOR TO 4mm SHEATHED JACKS TO ACCEPT SHEATH BANANA PLUGS.
UPGRADES BNC TO IEC SPECIFICATIONS.
- SPECIFICATIONS:
INSULATOR: POLYAMIDE (NYLON), GREY
JACK CONTACTS: BRASS, NICKEL PLATED
BNC(m): BRASS. CENTER CONTACT, GOLD PLATED.
- RATING:
VOLTAGE: 500V CATI OR 150V CATIII P2 (IEC61010-1)
CURRENT: 3A MAX.
RESISTANCE: <0.8mΩ.
TEMPERATURE: -20° C TO +80° C.

PART NUMBER

CT2412

| REVISIONS | | | |
|-----------|------------------|---------|----------|
| REV. | DESCRIPTIONS | DATE | APPROVED |
| - | CLASS A RELEASED | 7/12/99 | |



SCHEMATIC

| | | | | | | | |
|---|--|--|--|---|---|-----------------------------------|------------------|
| THIRD ANGLE PROJECTION | | UNLESS OTHERWISE SPECIFIED DIMENSIONS ARE IN INCHES TOLERANCES ARE: FRACTIONS DECIMALS ± 1/32 .XX ± .02 .XXX ± .005 DO NOT SCALE DRAWING | CONTRACT NO. | | Cal Test Electronics 22820 Savi Ranch Parkway Yorba Linda, CA 92887-4610 | | |
| | | | APPROVALS DRAWN WDH DATE 7/12/99 CHECKED ENGR. DESIGN ACTIVITY | TITLE INSULATED BNC(m) w/4mm SHEATHED SAFETY JACKS | | | |
| MATERIAL FINISH NEXT ASSY USED ON APPLICATION | | | | SIZE A | CAGE CODE 43F45 | DWG. NO. P241200 | REV. - |
| | | | | SCALE 1:1 | SHEET 1 OF 1 | | |