

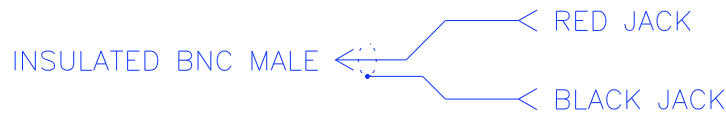
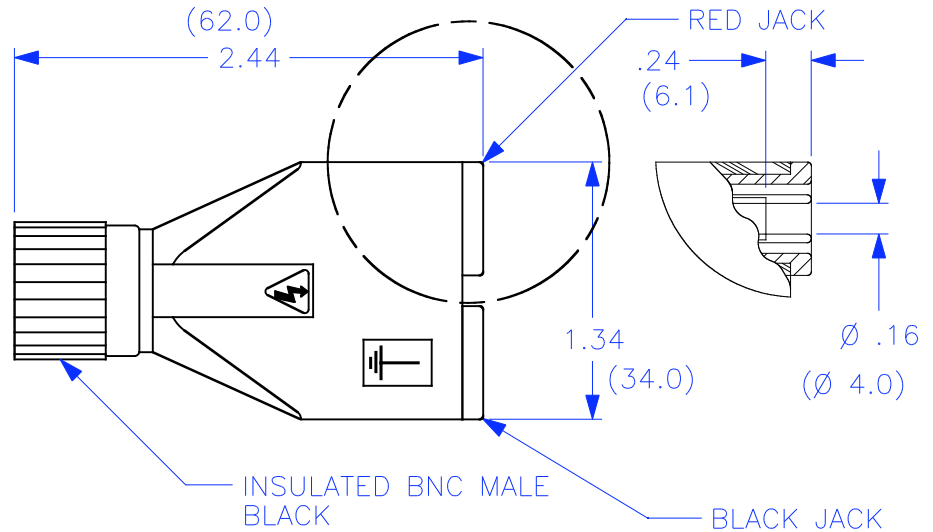
THIS IS ISSUED IN STRICT CONFIDENCE THAT IT IS NOT USED AS A BASIS FOR MANUFACTURE OR SALE AND THAT IT IS NOT COPIED, REPRINTED OR DISCLOSED TO A THIRD PARTY EITHER WHOLLY OR IN PART WITHOUT THE PRIOR WRITTEN CONSENT OF CAL TEST ELECTRONICS, INC.

- INSULATED BNC MALE WITH 4mm SAFETY JACKS.
APPLICATION: ADAPTS BNC FEMALE CONNECTOR TO 4mm SHEATHED JACKS TO ACCEPT SHEATH BANANA PLUGS.
UPGRADES BNC TO IEC SPECIFICATIONS.
- SPECIFICATIONS:
INSULATOR: POLYAMIDE (NYLON), GREY
JACK CONTACTS: BRASS, NICKEL PLATED
BNC(m): BRASS. CENTER CONTACT, GOLD PLATED.
- RATING:
VOLTAGE: 500V CATI OR 150V CATIII P2 (IEC61010-1)
CURRENT: 3A MAX.
RESISTANCE: <0.8mΩ.
TEMPERATURE: -20° C TO +80° C.

PART NUMBER

CT2412

REVISIONS			
REV.	DESCRIPTIONS	DATE	APPROVED
-	CLASS A RELEASED	7/12/99	



SCHEMATIC

THIRD ANGLE PROJECTION		UNLESS OTHERWISE SPECIFIED DIMENSIONS ARE IN INCHES TOLERANCES ARE: FRACTIONS DECIMALS ± 1/32 .XX ± .02 .XXX ± .005 DO NOT SCALE DRAWING	CONTRACT NO.		Cal Test Electronics 22820 Savi Ranch Parkway Yorba Linda, CA 92887-4610	
			APPROVALS DRAWN WDH DATE 7/12/99 CHECKED ENGR. DESIGN ACTIVITY	TITLE INSULATED BNC(m) w/4mm SHEATHED SAFETY JACKS		
MATERIAL FINISH NEXT ASSY USED ON APPLICATION		SIZE CAGE CODE DWG. NO. REV. A 43F45 P241200 -		SCALE 1:1 SHEET 1 OF 1		