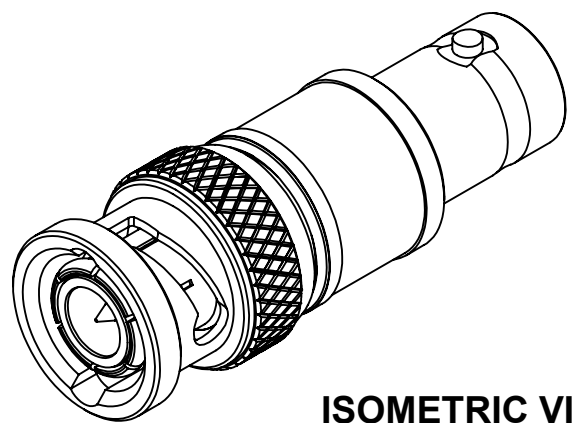
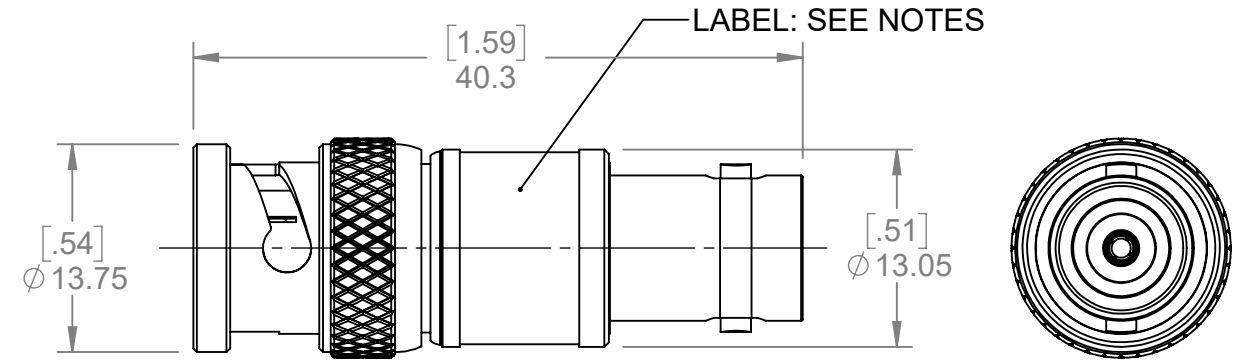
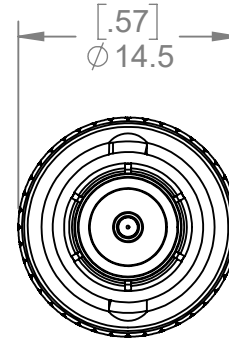


THIS IS ISSUED IN STRICT CONFIDENCE THAT IT IS NOT USED AS A BASIS FOR MANUFACTURE OR SALE AND THAT IT IS NOT COPIED, REPRINTED OR DISCLOSED TO A THIRD PARTY EITHER WHOLLY OR IN PART WITHOUT THE PRIOR WRITTEN CONSENT OF CAL TEST ELECTRONICS, INC.

REVISIONS			
REV.	DESCRIPTION	DATE	APPROVED
A	CLASS A RELEASED	1/14/2019	

- NOTES:**
- MATERIAL:**
    - BODY, COUPLING NUT & MALE CONTACT: BRASS
    - FEMALE CONTACT: BECU
    - DIELECTRIC: PTFE
    - GASKET: SILICONE RUBBER
  - PLATING:**
    - COUPLING NUT & SHELL: NICKEL PLATED
    - FEMALE BODY & CENTER CONTACTS: GOLD PLATED
  - MARKING LABEL:**
    - "50 Ω FEED-THRU TERMINATOR 1 GHZ / 2 W CT2944C-50 MADE IN TAIWAN"
    - WHITE LETTERS ON BLACK BACKGROUND
  - SPECIFICATIONS:**
    - IMPEDANCE: 50 Ω ±0.35 Ω
    - FREQUENCY RANGE: 1 GHZ
    - VSWR MAX.: ≤1.10:1 DC TO 500 MHZ / ≤1.20:1 500 MHZ TO 1 GHZ
    - POWER: 2 W (AVG) @ 25°C DERATED LINERALLY TO 0.5 W @ 125°C
    - INPUT VOLTAGE: <10 V DC . 20 V P-P AC
    - ACCURACY: 0.7%
    - OPERATING TEMPERATURE: 0°C TO +125°
  - ROHS 2: COMPLIANT



**ISOMETRIC VIEW**

<b>CT2944C-50</b>	<b>50 OHM, FEED-THRU TERMINATOR</b>	-
PART NUMBER	CONFIGURATION	NOTES / REFERENCE
PART NUMBER TABLE		

<b>METRIC</b>	UNLESS OTHERWISE SPECIFIED DIMENSIONS ARE IN MILLIMETERS TOLERANCES ARE: PER DIN ISO 2768m		PROJECT NO. <b>A535</b>		<b>Cal Test Electronics</b> 22820 Savi Ranch Parkway Yorba Linda, CA 92887		
	DO NOT SCALE DRAWING		APPROVALS	DATE			
THIRD ANGLE PROJECTION	MATERIAL SEE NOTES	DRAWN <b>WDH</b>	1/14/2019		<b>TERMINATOR, BNC FEED-THRU,          1 GHZ, 2 W</b>		
	TREATMENT N/A	CHECKER <b>B.Hansen</b>	1/14/2019				
	FINISH SEE NOTES	ENGR. <b>NONE</b>	DESIGN ACTIVITY <b>NONE</b>		SIZE <b>B</b>	CAGE CODE <b>43F45</b>	DWG. NO. <b>P2944C0</b>
		SCALE <b>2:1</b>	P2944C0rA_drawing		SHEET <b>1 OF 1</b>		