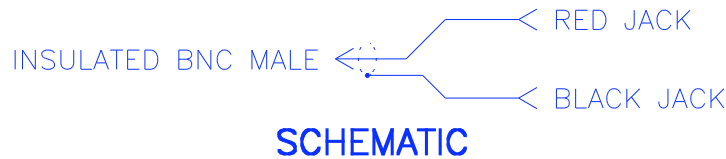
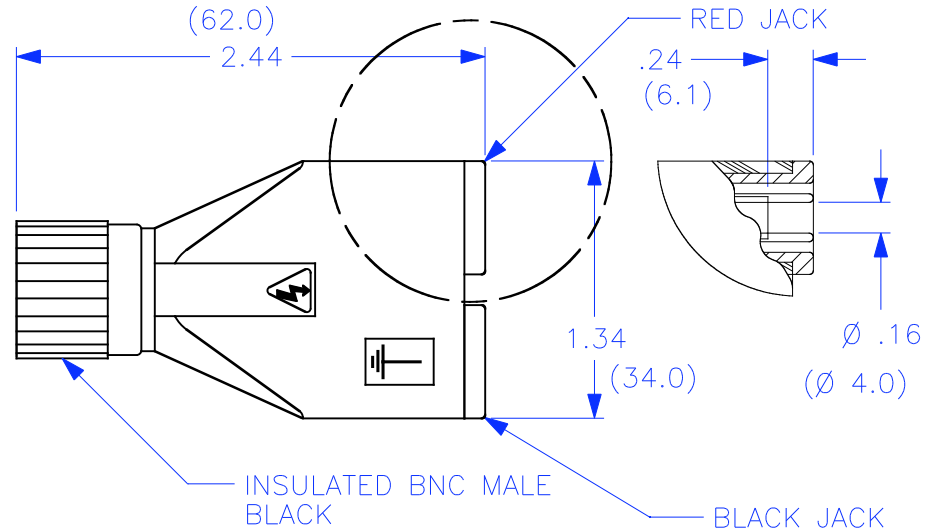


THIS IS ISSUED IN STRICT CONFIDENCE THAT IT IS NOT USED AS A BASIS FOR MANUFACTURE OR SALE AND THAT IT IS NOT COPIED, REPRINTED OR DISCLOSED TO A THIRD PARTY EITHER WHOLLY OR IN PART WITHOUT THE PRIOR WRITTEN CONSENT OF CAL TEST ELECTRONICS, INC.

- INSULATED BNC MALE WITH 4mm SAFETY JACKS.
APPLICATION: ADAPTS BNC FEMALE CONNECTOR TO 4mm SHEATHED JACKS TO ACCEPT SHEATH BANANA PLUGS.
UPGRADES BNC TO IEC SPECIFICATIONS.
- SPECIFICATIONS:
INSULATOR: POLYAMIDE (NYLON), GREY
JACK CONTACTS: BRASS, NICKEL PLATED
BNC(m): BRASS. CENTER CONTACT, GOLD PLATED.
- RATING:
VOLTAGE: 500V CATI OR 150V CATIII P2 (IEC61010-1)
CURRENT: 3A MAX.
RESISTANCE: <0.8mΩ.
TEMPERATURE: -20° C TO +80° C.

PART NUMBER
CT2412

REVISIONS			
REV.	DESCRIPTIONS	DATE	APPROVED
-	CLASS A RELEASED	7/12/99	



THIRD ANGLE PROJECTION		UNLESS OTHERWISE SPECIFIED DIMENSIONS ARE IN INCHES TOLERANCES ARE: FRACTIONS DECIMALS ± 1/32 .XX ± .02 .XXX ± .005 DO NOT SCALE DRAWING	CONTRACT NO.		Cal Test Electronics 22820 Savi Ranch Parkway Yorba Linda, CA 92887-4610		
			APPROVALS	DATE			INSULATED BNC(m) w/4mm SHEATHED SAFETY JACKS
MATERIAL		DRAWN	DATE	SIZE	CAGE CODE	DWG. NO.	
FINISH		CHECKED		A	43F45	P241200	-
NEXT ASSY	USED ON	ENGR.		SCALE	1:1	SHEET	1 OF 1
APPLICATION		DESIGN ACTIVITY					