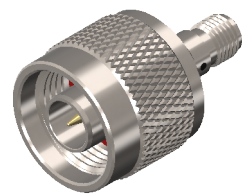
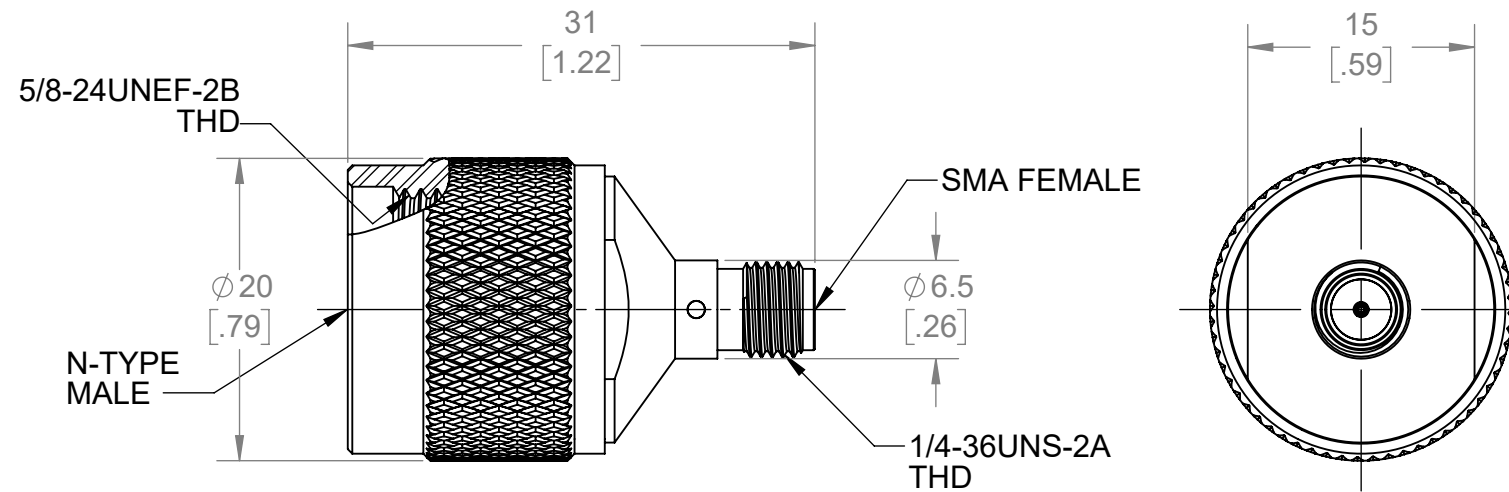


THIS IS ISSUED IN STRICT CONFIDENCE THAT IT IS NOT USED AS A BASIS FOR MANUFACTURE OR SALE AND THAT IT IS NOT COPIED, REPRINTED OR DISCLOSED TO A THIRD PARTY EITHER WHOLLY OR IN PART WITHOUT THE PRIOR WRITTEN CONSENT OF CAL TEST ELECTRONICS, INC.

REVISIONS			
REV.	DESCRIPTION	DATE	APPROVED
A	INITIAL RELEASE	7/7/2021	B. HANSEN

- NOTES:**
- ALL SPECIFICATIONS SUBJECT TO CHANGE WITHOUT NOTICE.
 - ADAPTER TO MEET OR EXCEED ALL SPECIFICATIONS PER MIL-39012.
 - MATING DIMENSIONS IN ACCORDANCE WITH MIL-STD-348.
 - VSWR AND FREQUENCY RANGE SPECIFICATIONS ARE FOR REFERENCE AND ARE DEPENDANT ON CABLE TYPE AND OTHER APPLICATION SPECIFIC CONDITIONS.
 - MATERIAL:**
 - BODY AND COUPLING NUT: STAINLESS STEEL, PASSIVATED
 - CENTER CONTACT: BeCu, GOLD PLATED
 - DIELECTRIC: PTFE
 - GASKET: SILICONE RUBBER
 - ELECTRICAL:**
 - IMPEDANCE: 50 Ω
 - FREQUENCY: DC - 18 GHz
 - CONTACT CURRENT: DC 2.0 A MAX
 - WORKING VOLTAGE: 480 Vrms
 - INSERTION LOSS: $\leq 0.03 \times \sqrt{f(\text{GHz})}$ dB
 - POWER HANDLING: $\leq 200 \text{ W @ 2 GHz @ } 20^\circ\text{C, SEA LEVEL, VSWR } 1.0$
 - VSWR: 1.20:1 @ DC - 18 GHz
 - RF LEAKAGE: $\geq 100 \text{ dB TO } 1 \text{ GHz}$
 - MECHANICAL:**
 - RECOMMENDED TORQUE: 0.7 Nm TO 1.1 Nm
 - TEMPERATURE RANGE: $-55^\circ\text{C TO } +125^\circ\text{C}$
 - COUNTRY OF ORIGIN: S. KOREA
 - RoHS AND REACH COMPLIANT.



ISOMETRIC VIEW
FULL SCALE

CT3320A	BETWEEN-SERIES	IN-LINE
MODEL NUMBER	CONFIGURATION	NOTES / REFERENCE
MODEL NUMBER TABLE		
THIRD ANGLE PROJECTION 	UNLESS OTHERWISE SPECIFIED DIMENSIONS ARE IN MILLIMETERS TOLERANCES ARE: X.X = ±0.5 X.X* = ±0.5* X.XX = ±0.25 X.XXX = ±0.125 DO NOT SCALE DRAWING	PROJECT NO. A598
	MATERIAL SEE NOTES	APPROVALS DRAWN: WDH CHECKER:
REFERENCE	TREATMENT N/A	DATE 7/7/2021
FINISH SEE NOTES	ENGR. B. HANSEN DESIGN ACTIVITY	DATE 7/7/2021
		TITLE ADAPTER, N-TYPE MALE TO SMA FEMALE, 50 Ω, INSTRUMENT GRADE
		SIZE B
		CAGE CODE 43F45
		DWG. NO. CT3320A
		REV. A
		SCALE 2:1
		SHEET 1 OF 1