

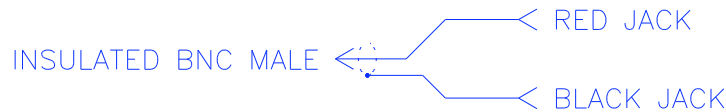
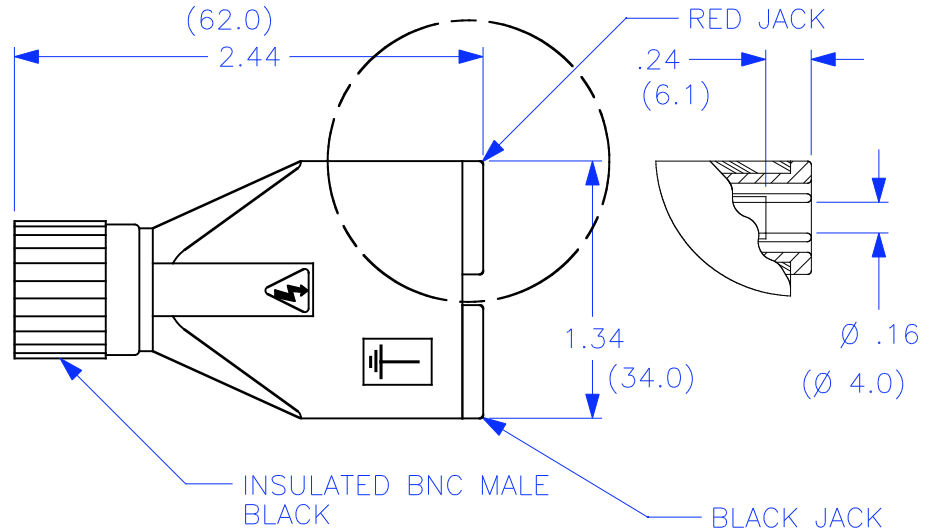
**THIS IS ISSUED IN STRICT CONFIDENCE THAT IT IS NOT USED AS A BASIS FOR MANUFACTURE OR SALE AND THAT IT IS NOT COPIED, REPRINTED OR DISCLOSED TO A THIRD PARTY EITHER WHOLLY OR IN PART WITHOUT THE PRIOR WRITTEN CONSENT OF CAL TEST ELECTRONICS, INC.**

- INSULATED BNC MALE WITH 4mm SAFETY JACKS.  
APPLICATION: ADAPTS BNC FEMALE CONNECTOR TO 4mm SHEATHED JACKS TO ACCEPT SHEATH BANANA PLUGS.  
UPGRADES BNC TO IEC SPECIFICATIONS.
- SPECIFICATIONS:  
INSULATOR: POLYAMIDE (NYLON), GREY  
JACK CONTACTS: BRASS, NICKEL PLATED  
BNC(m): BRASS. CENTER CONTACT, GOLD PLATED.
- RATING:  
VOLTAGE: 500V CATI OR 150V CATIII P2 (IEC61010-1)  
CURRENT: 3A MAX.  
RESISTANCE: <0.8mΩ.  
TEMPERATURE: -20° C TO +80° C.

**PART NUMBER**

**CT2412**

REVISIONS			
REV.	DESCRIPTIONS	DATE	APPROVED
-	CLASS A RELEASED	7/12/99	



**SCHEMATIC**

<b>THIRD ANGLE PROJECTION</b>		UNLESS OTHERWISE SPECIFIED DIMENSIONS ARE IN INCHES TOLERANCES ARE: FRACTIONS    DECIMALS ± 1/32        .XX ± .02 .XXX ± .005 <b>DO NOT SCALE DRAWING</b>	<b>CONTRACT NO.</b>		<b>Cal Test Electronics</b> 22820 Savi Ranch Parkway Yorba Linda, CA 92887-4610	
			<b>APPROVALS</b> DRAWN    WDH CHECKED ENGR. DESIGN ACTIVITY	<b>DATE</b> 7/12/99	<b>TITLE</b> <b>INSULATED BNC(m) w/4mm SHEATHED SAFETY JACKS</b>	
<b>MATERIAL</b>  <b>FINISH</b>		<b>SIZE</b> <b>A</b>		<b>CAGE CODE</b> <b>43F45</b>	<b>DWG. NO.</b> <b>P241200</b>	<b>REV.</b> -
<b>NEXT ASSY</b>	<b>USED ON</b>	<b>SCALE</b> 1:1		<b>SHEET</b> 1 OF 1		
<b>APPLICATION</b>						