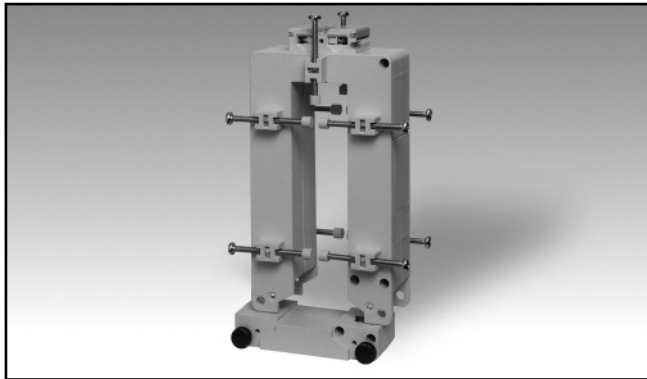


Accessories

AC Split-Core Current Transformer

Type CTD-10S (max 50x126 mm)



- Bus-bar type split-core current transformer
- Class 1 accuracy
- Currents from 400 A to 3200 A
- Up to 10 Bus-bar isolated fixing screws
- Double screw terminals (up to 8-wire connections)
- Sealable terminal block covers
- Sealable fixing split-core screws

Product Description

Split-core current transformer with bus-bar mounting facility. Rated primary currents from 400 A to 3200 A.

Ordering Key **CTD-10S 2000 5A XXX**



Type Selection

| Primary current | Secondary current | Option |
|--|-----------------------|--|
| From 400A to 3200A (Refer to the Range Table) | 1A (on request) 5A | XXX: none XTX: tropicalization (on request) |

Input Specifications

| | |
|--|--|
| Operating frequency | 48 to 62 Hz |
| Max. system voltage | 0.72 kV |
| Rated insulation level | 3 kV/1 min. @ 50 Hz |
| Insulation class | E (max 75°C) |
| Short-time current rating I_{th} I_{dyn} | Typical 100 I_n / 1 s 2.5 I_{th} The short-time thermal current I_{th} is anyway limited by the cable/bus-bar size |
| Extended current rating | refer to the Range Table |
| Security factor (FS) | ≤ 5 (Class: 1 and 3) |

| | |
|--|---|
| Working temperature | -25°C to: refer to the Range Table (-13°F to: refer to the Range Table) (R.H. < 90% non condensing @ 40°C) |
| Storage temperature | -30°C to +70°C (-22°F to 158°F) (R.H. < 90% non condensing @ 40°C) |
| Approvals | CE. cURus and CSA (400A to 2000A) |
| Connection Cable cross section area | Screw type From 1.5 to 6 mm ² Min/Max screws tightening torque relevant to terminal block screws: From 1 to 2 Nm Max screws tightening torque relevant to the cable/bus-bar fixing screws: 0,3 Nm |
| Protection degree | IP00 (with sealable terminal covers) IP20 (with sealable terminal block covers + wire terminals) |
| Bus-bar size | Max. 51x125 mm |
| Weight | From 450 to 700 g |

General Specifications

| | |
|----------------------|--|
| Standards | According to EN61869-2 |
| Housing | ABS, self-extinguishing: UL 94 V-0 |
| Mounting | Bus-bar mounting |
| Standard accessories | Two terminal block screws. Ten bus-bar fixing screws. Ten plastic caps for bus-bar fixing screws. Two sealable terminal block covers. |
| Special features | 1 A secondary current, Tropicalization |

Output Specifications

| | |
|-------------------------|------------|
| Rated secondary current | 5 A or 1 A |
|-------------------------|------------|

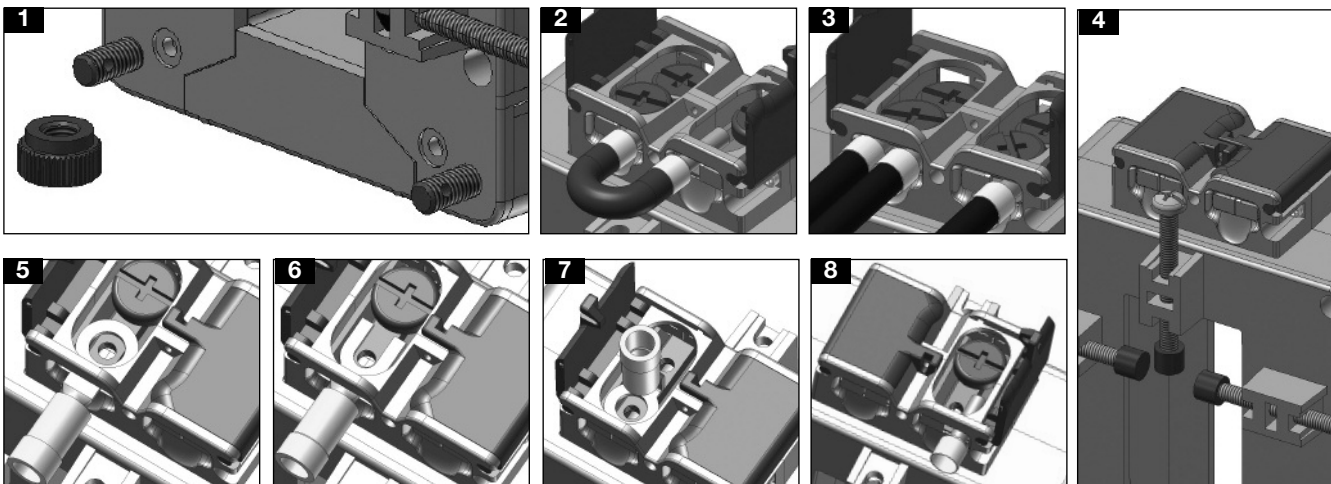
Range Table

| Model CTD-10S from 400A to 1200A | | | | |
|----------------------------------|---------------|-------------------------|-------------|------|
| Primary Current A | Temperature | Extended current rating | Burden (VA) | |
| | | | CL 1 | CL 3 |
| 400 | (@60°C/140°F) | 120% | 1 | 7 |
| 500 | (@60°C/140°F) | 120% | 3 | 10 |
| 600 | (@60°C/140°F) | 120% | 5 | 12 |
| 700 | (@60°C/140°F) | 120% | 8 | 15 |
| 750 | (@60°C/140°F) | 120% | 10 | 15 |
| 800 | (@60°C/140°F) | 120% | 10 | 15 |
| 1000 | (@60°C/140°F) | 120% | 12 | 20 |
| 1200 | (@50°C/122°F) | 120% | 15 | 25 |

| Model CTD-10S from 1250A to 3200A | | | | |
|-----------------------------------|---------------|-------------------------|-------------|------|
| Primary Current A | Temperature | Extended current rating | Burden (VA) | |
| | | | CL 1 | CL 3 |
| 1250 | (@50°C/122°F) | 120% | 15 | 25 |
| 1500 | (@50°C/122°F) | 120% | 20 | 30 |
| 1600 | (@50°C/122°F) | 120% | 20 | 30 |
| 2000 | (@50°C/122°F) | 100% (+) | 25 | 40 |
| 2500 | (@50°C/122°F) | 100% (*) | 30 | 50 |
| 3000 | (@40°C/104°F) | 100% (*) | 30 | 50 |
| 3200 | (@40°C/104°F) | 100% (*) | 30 | 50 |

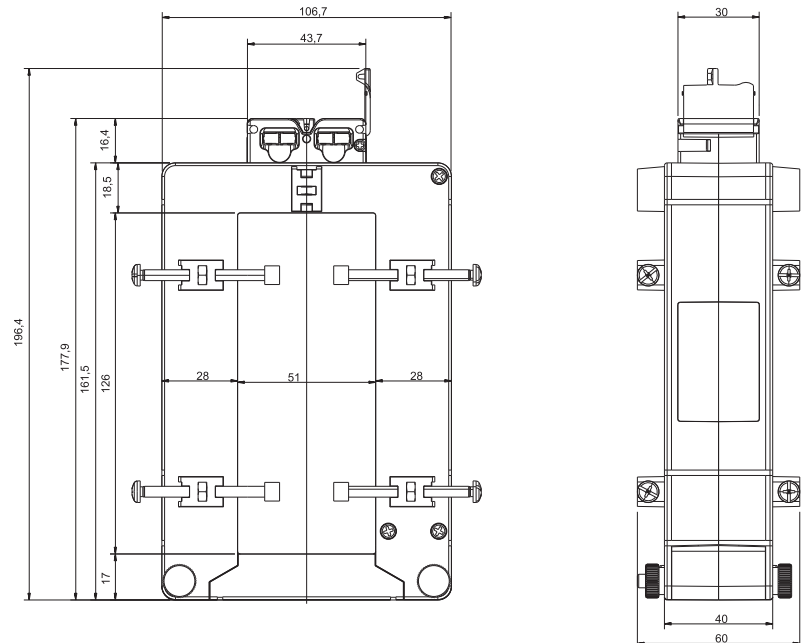
(*) A max overload of 120% for 1 min. every 30 min. is allowed.
 (+) A continuous overload of 120% of the range is allowed @ amb. temp. 40°C max.

Benefits



- Easy way to open and close the CT core by the dedicate selectable screws (see figure 1).
- Bridging of current transformer output without changing the connection of the secondary, so to avoid any output overvoltage during either the maintenance or the installation procedure (see figure 2).
- Easy output and earth connection (see fig. 3).
- Multiple screws provided with isolation cap screws to grant a strong and reliable fixing of the current transformer to the bus-bar (see figure 4).
- Screw terminals compatible with any kind of wire terminals and protection of screw terminals using specific sealable covers to assure always the best safety (see figure 5-6-7-8).

Dimensions (mm)



Wiring Diagram

