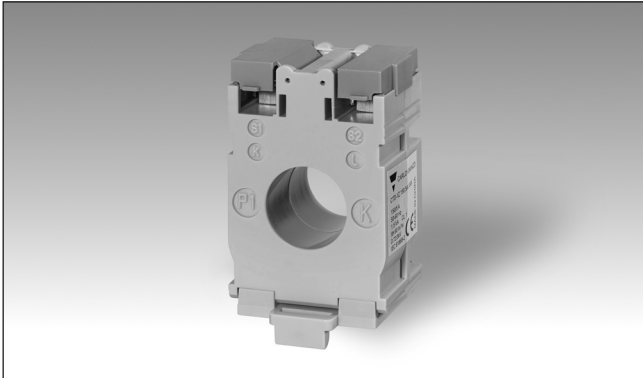


Accessories

AC Current Transformer

Type CTD-1Z

CARLO GAVAZZI



- Cable type current transformer
- Class 1, currents from 50 to 200 A
- Removable DIN-rail mounting holder

Product Description

Cable type current transformer with DIN-rail mounting facility. Rated primary currents from 50 to 200 A.

Ordering Key

CTD-1Z 100 5A XXX

Model _____
 Primary current _____
 Secondary current _____
 Option _____

Type Selection

Primary current	Secondary current	Option
From 50 to 200 A	5A	XXX: none

(Refer to Range Table)

Input Specification

Operating frequency	50/60Hz
Max. system voltage	0.72 kV
Rated insulation level	3 kV/1 min @ 50 Hz
Insulation class	B
Short-time current rating	60 In/1s
I_{th}	

Output Specification

Rated secondary current	5A
-------------------------	----

General Specification

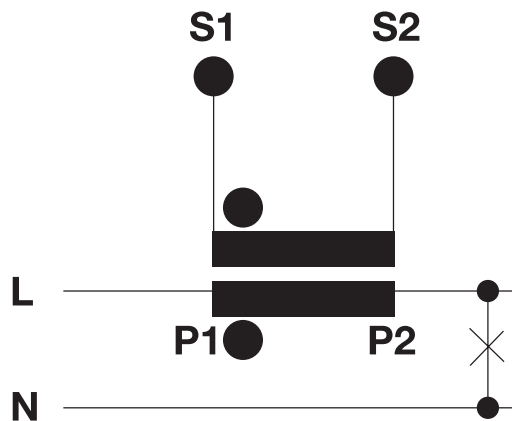
Standards	According to EN61869-2	Connection	Screw type (4x8 mm)
Housing material	PC	Cable cross section area	2.5mm ²
Mounting	DIN rail	Torque	Max screws tightening torque relevant to terminal block screws: 2.6 Nm.
Standard accessories	DIN rail adapter Terminal block covers	Protection degree	IP20
Working temperature	-10°C to 50°C	Cable diameter	Max. 22 mm
Storage temperature	-10°C to 50°C	Weight	Approx. 140 g
Approvals	CE, UKCA		

Range Table

Model CTD-1Z from 50 A to 100 A		
Primary current A	Class	Burden (VA)
50	3	1.5
100	1	1.5

Model CTD-1Z from 125 A to 200 A		
Primary current A	Class	Burden (VA)
125	1	2.5
150	1	2.5
200	1	3.75

Wiring Diagram



Dimensions (mm)

