

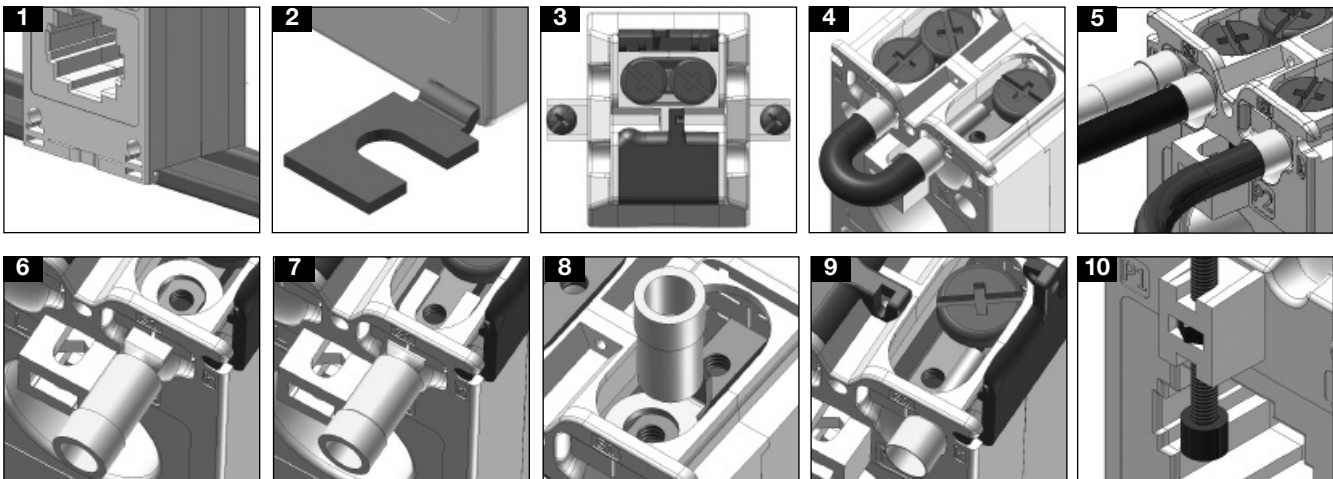


## Range Table

Model CTD-2X from 40A to 125A			
Primary Current	Burden (VA)		
	CL 0.5	CL 1	CL 3
40 (@60°C/140°F)			1.25
50 (@60°C/140°F)			1.5
60 (@60°C/140°F)			2
70 (@60°C/140°F)			2.5
75 (@60°C/140°F)		1.75	2.5
80 (@60°C/140°F)		2	2.75
100 (@60°C/140°F)		2.5	3
120 (@60°C/140°F)		2.75	3.75
125 (@60°C/140°F)	2	2.75	3.75

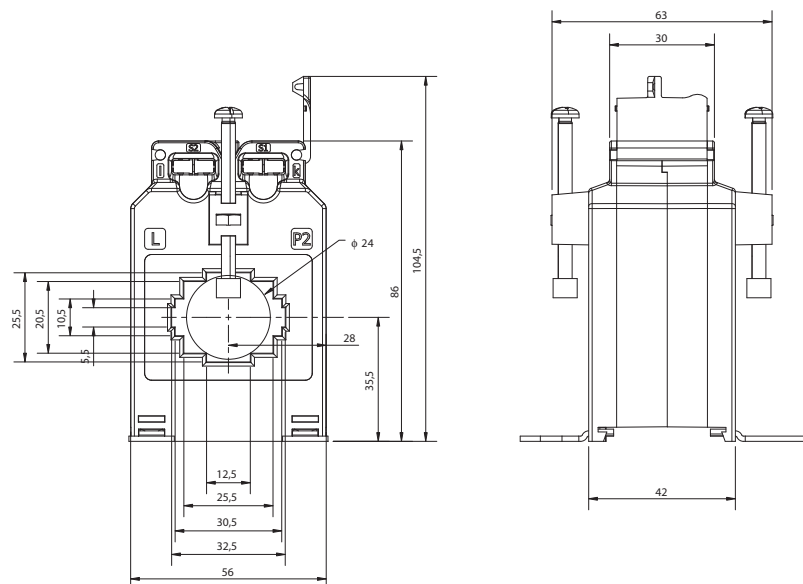
Model CTD-2X from 150A to 600A			
Primary Current	Burden (VA)		
	CL 0.5	CL 1	CL 3
150 (@60°C/140°F)	3	4	5
160 (@60°C/140°F)	3	4	5
200 (@60°C/140°F)	4	5	6.5
250 (@60°C/140°F)	5.5	7	8
300 (@60°C/140°F)	7	8.5	9.5
400 (@50°C/122°F)	12	13.5	14.5
500 (@50°C/122°F)	14	15.5	16.5
600 (@40°C/104°F)	17.5	19	20

## Benefits



- Easy and quick mounting either on a panel or on a DIN-rail (see figure 1-2).
- Protection of screw terminals using specific sealable covers to assure always the best safety (see figure 3).
- Bridging of current transformer output without changing the connection of the secondary, so to avoid any output overvoltage during either the maintenance or the installation procedure (see figure 4).
- Easy output and earth connection (see fig. 5).
- Screw terminals compatible with any kind of wire terminals (see figure 6-7-8-9).
- Multiple screws provided with isolation cap screws to grant a strong and reliable fixing of the current transformer to the bus-bar (see figure 10).

## Dimensions (mm)



## Wiring Diagram

