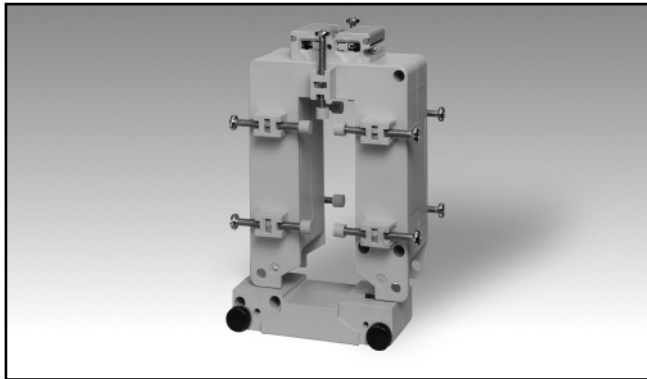


# Accessories

## AC Split-Core Current Transformer

### Type CTD-8S ( max 30x80 mm)



- Bus-bar type split core current transformer
- Class 1 accuracy
- Currents from 150 A to 2500 A
- Up to 10 Bus-bar isolated fixing screws
- Double screw terminals (up to 8-wire connections)
- Sealable terminal block covers
- Sealable fixing split-core screws

### Product Description

Split-core current transformer with bus-bar mounting facility. Rated primary currents from 150 A to 2500 A.

### Ordering Key **CTD-8S 1500 5A XXX**



### Type Selection

| Primary current                                  | Secondary current     | Option   |
|--|-----------------------|--|
| From 150A to 2500A<br>(Refer to the Range Table) | 1A (on request)<br>5A | XXX: none<br>XTX: tropicalization (on request) |

### Input Specifications

|   |  |                            |   |
|---|--|----------------------------|---|
| <b>Operating frequency</b>                                | 48 to 62 Hz  | <b>Working temperature</b> | -25°C to: refer to the Range Table (-13°F to: refer to the Range Table) (R.H. < 90% non condensing @ 40°C)  |
| <b>Max. system voltage</b>                                | 0.72 kV  | <b>Storage temperature</b> | -30°C to +70°C (-22°F to 158°F) (R.H. < 90% non condensing @ 40°C)  |
| <b>Rated insulation level</b>                             | 3 kV/1 min. @ 50 Hz  | <b>Approvals</b>           | CE.<br>cURus and CSA (150A to 1000A)  |
| <b>Insulation class</b>                                   | E (max 75°C)   | <b>Connection</b>          | Screw type<br>From 1.5 to 6 mm <sup>2</sup><br>Min/Max screws tightening torque relevant to terminal block screws: From 1 to 2 Nm<br>Max screws tightening torque relevant to the cable/bus-bar fixing screws: 0,3 Nm |
| <b>Short-time current rating</b><br>$I_{th}$<br>$I_{dyn}$ | Typical 100 $I_n$ / 1 s<br>2.5 $I_{th}$<br>The short-time thermal current $I_{th}$ is anyway limited by the cable/bus-bar size | <b>Protection degree</b>   | IP00 (without sealable terminal covers)<br>IP20 (with sealable terminal block covers + wire terminals)  |
| <b>Extended current rating</b>                            | Refer to the Range Table   | <b>Bus-bar size</b>        | Max. 30x80 mm   |
| <b>Security factor (FS)</b>                               | ≤ 5 (Class: 1 and 3)   | <b>Weight</b>              | From 450 to 700 g   |

### General Specifications

|                             |  |
|-----------------------------|--|
| <b>Standards</b>            | According to EN61869-2   |
| <b>Housing</b>              | PA66, self-extinguishing:<br>UL 94 V-0   |
| <b>Mounting</b>             | Bus-bar mounting   |
| <b>Standard accessories</b> | Two terminal block screws.<br>Ten bus-bar fixing screws.<br>Ten plastic caps for bus-bar fixing screws.<br>Two sealable terminal block covers. |
| <b>Special features</b>     | 1 A secondary current,<br>Tropicalization  |

### Output Specifications

|                                |            |
|--------------------------------|------------|
| <b>Rated secondary current</b> | 5 A or 1 A |
|--------------------------------|------------|

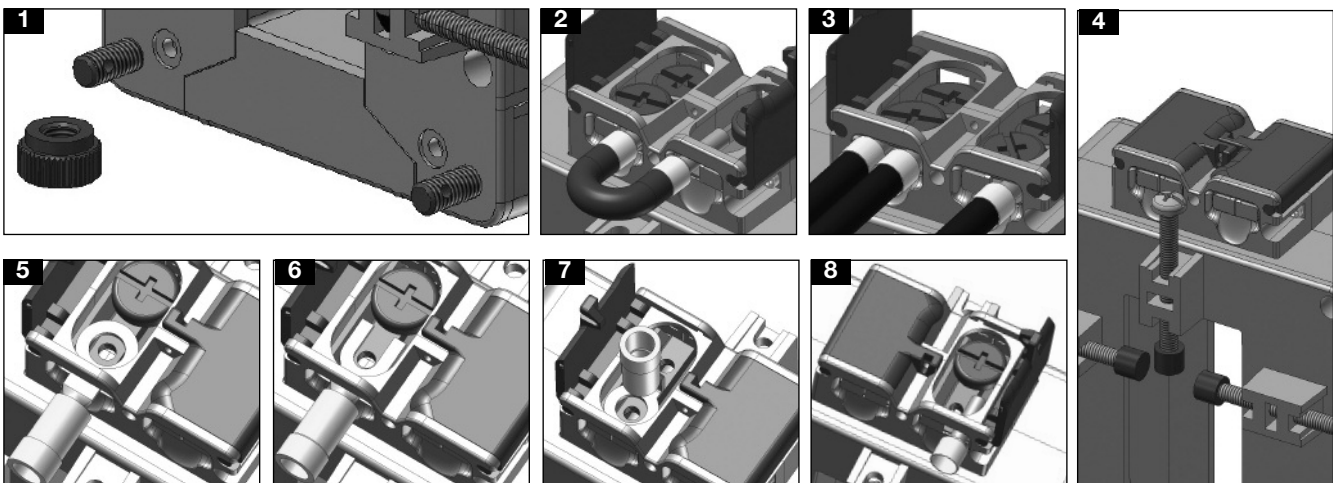
## Range Table

| Model CTD-8S from 150A to 750A |               |                         |             |      |
|--------------------------------|---------------|-------------------------|-------------|------|
| Primary Current<br>A           | Temperature   | Extended current rating | Burden (VA) |      |
|                                |               |                         | CL 1        | CL 3 |
| 150                            | (@60°C/140°F) | 120%                    | -           | 1.5  |
| 200                            | (@60°C/140°F) | 120%                    | -           | 1.5  |
| 250                            | (@60°C/140°F) | 120%                    | -           | 2    |
| 300                            | (@60°C/140°F) | 120%                    | -           | 2    |
| 400                            | (@60°C/140°F) | 120%                    | 3           | 5    |
| 500                            | (@60°C/140°F) | 120%                    | 5           | 7    |
| 600                            | (@60°C/140°F) | 120%                    | 6           | 10   |
| 700                            | (@60°C/140°F) | 120%                    | 6           | 10   |
| 750                            | (@60°C/140°F) | 120%                    | 8           | 12   |

| Model CTD-8S from 800A to 2500A |               |                         |             |      |
|---------------------------------|---------------|-------------------------|-------------|------|
| Primary Current<br>A            | Temperature   | Extended current rating | Burden (VA) |      |
|                                 |               |                         | CL 1        | CL 3 |
| 800                             | (@60°C/140°F) | 120%                    | 8           | 12   |
| 1000                            | (@50°C/122°F) | 120%                    | 10          | 15   |
| 1200                            | (@50°C/122°F) | 120%                    | 12          | 15   |
| 1250                            | (@50°C/122°F) | 120%                    | 12          | 15   |
| 1500                            | (@50°C/122°F) | 100% (+)                | 15          | 20   |
| 1600                            | (@50°C/122°F) | 100% (*)                | 15          | 20   |
| 2000                            | (@50°C/122°F) | 100% (*)                | 20          | 25   |
| 2500                            | (@40°C/104°F) | 100% (*)                | 25          | 30   |

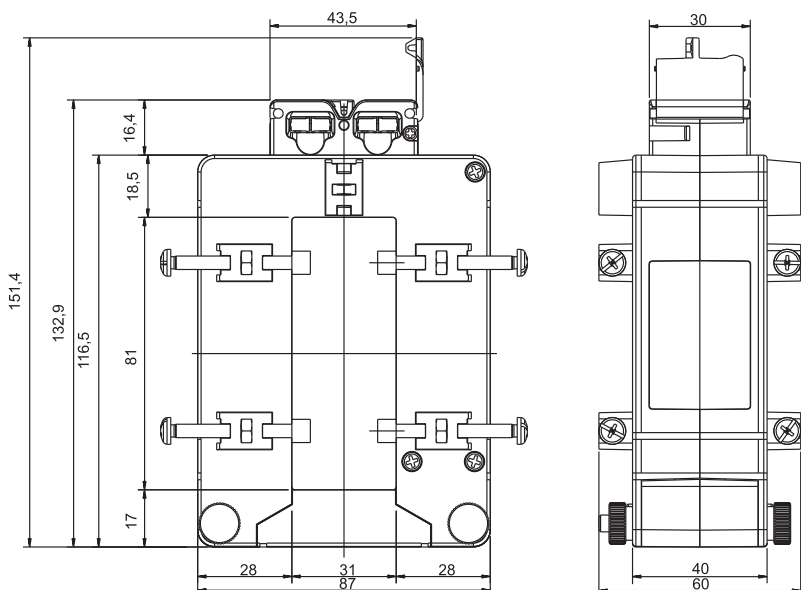
(\*) A max overload of 120% for 1 min. every 30 min. is allowed.  
 (+) A continuous overload of 120% of the range is allowed @ amb. temp. 40°C max.

## Benefits



- Easy way to open and close the CT core by the dedicate selectable screws (see figure 1).
- Bridging of current transformer output without changing the connection of the secondary, so to avoid any output overvoltage during either the maintenance or the installation procedure (see figure 2).
- Easy output and earth connection (see fig. 3).
- Multiple screws provided with isolation cap screws to grant a strong and reliable fixing of the current transformer to the bus-bar (see figure 4).
- Screw terminals compatible with any kind of wire terminals and protection of screw terminals using specific sealable covers to assure always the best safety (see figure 5-6-7-8).

## Dimensions (mm)



## Wiring Diagram

