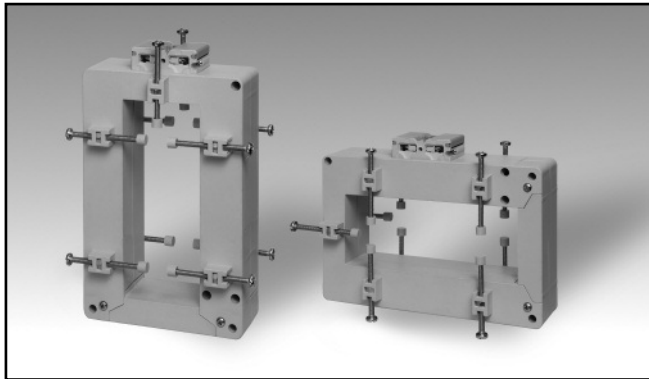


Accessories

AC Solid-core Current Transformer

Type CTD-9V / CTD-9H (max 35x125 mm)

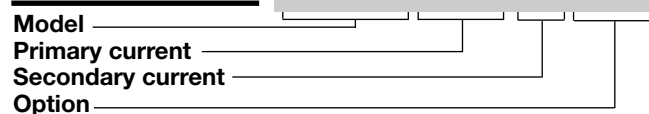


- Bus-bar type solid-core current transformer
- Class 0.5 accuracy
- Currents from 400 A to 3200 A
- Up to 10 Bus-bar isolated fixing screws
- Double screw terminals (up to 8-wire connections)
- Sealable terminal block covers

Product Description

Solid-core current transformer with bus-bar mounting facility. Rated primary currents from 400 A to 3200 A.

Ordering Key **CTD-9V 2000 5A XXX**



Type Selection

| Model | Primary current | Secondary current | Option |
|-----------------------------|--|-----------------------|-----------------------------------|
| CTD-9V: vertical mounting | From 400A to 3200A (Refer to the Range Table) | 1A (on request) 5A | XXX: none XTX: tropicalization |
| CTD-9H: horizontal mounting | | | |

Input Specifications

| | | | |
|--|--|---------------------|---|
| Operating frequency | 48 to 62 Hz | Working temperature | -25°C to: refer to the Range Table (-13°F to: refer to the Range Table) (R.H. < 90% non condensing @ 40°C) |
| Max. system voltage | 0.72 kV | Storage temperature | -30°C to +70°C (-22°F to 158°F) (R.H. < 90% non condensing @ 40°C) |
| Rated insulation level | 3 kV/1 min. @ 50 Hz | Approvals | CE, cURus and CSA (400A to 2000A) |
| Insulation class | E (max 75°C) | Connection | Screw type Cable cross section area |
| Short-time current rating I_{th} I_{dyn} | Typical 100 I_n / 1 s 2.5 I_{th} The short-time thermal current I_{th} is anyway limited by the cable/bus-bar size | | From 1.5 to 6 mm ² Min/Max screws tightening torque relevant to terminal block screws: From 1 to 2 Nm Max screws tightening torque relevant to the cable/bus-bar fixing screws: 0,3 Nm |
| Extended current rating | refer to the Range Table | Protection degree | IP00 (without sealable terminal covers) IP20 (with sealable terminal block covers + wire terminals) |
| Security factor (FS) | ≤ 5 (Class: 0.5, 1 and 3) | Bus-bar size | Max. 35x125 mm |
| | | Weight | From 450 to 700 g |

General Specifications

| | |
|-------------------------|--|
| Standards | According to EN61869-2 |
| Housing | PA66, self-extinguishing: UL 94 V-0 |
| Mounting | Bus-bar mounting |
| Standard accessories | Two terminal block screws. Ten bus-bar fixing screws. Ten plastic caps for bus-bar fixing screws. Two sealable terminal block covers. |
| Special features | 1 A secondary current, Tropicalization |
| Rated secondary current | 5 A or 1 A |

Output Specifications

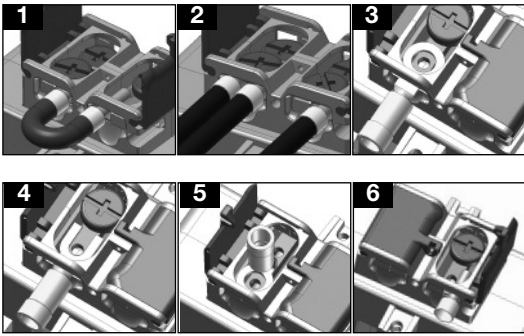
Range Table

| Model CTD-9V and CTD-9H from 400A to 1200A | | | | | |
|--|---------------|------------------------|-------------|------|------|
| Primary Current | Temperature | Extend. current rating | Burden (VA) | | |
| | | | CL 0.5 | CL 1 | CL 3 |
| 400 | (@60°C/140°F) | 120% | | 3 | 6 |
| 500 | (@60°C/140°F) | 120% | 2 | 4 | 8 |
| 600 | (@60°C/140°F) | 120% | 4 | 6 | 10 |
| 700 | (@60°C/140°F) | 120% | 4 | 8 | 10 |
| 750 | (@60°C/140°F) | 120% | 4 | 8 | 10 |
| 800 | (@60°C/140°F) | 120% | 4 | 8 | 10 |
| 1000 | (@60°C/140°F) | 120% | 6 | 10 | 13 |
| 1200 | (@50°C/122°F) | 120% | 8 | 12 | 15 |

| Model CTD-9V and CTD-9H from 1250A to 3200A | | | | | |
|---|---------------|------------------------|-------------|------|------|
| Primary Current | Temperature | Extend. current rating | Burden (VA) | | |
| | | | CL 0.5 | CL 1 | CL 3 |
| 1250 | (@50°C/122°F) | 120% | 8 | 12 | 15 |
| 1500 | (@50°C/122°F) | 120% | 10 | 15 | 18 |
| 1600 | (@50°C/122°F) | 120% | 10 | 15 | 18 |
| 2000 | (@50°C/122°F) | 100% (+) | 15 | 20 | 24 |
| 2500 | (@50°C/122°F) | 100% (*) | 20 | 25 | 30 |
| 3000 | (@40°C/104°F) | 100% (*) | 25 | 30 | 35 |
| 3200 | (@40°C/104°F) | 100% (*) | 25 | 30 | 35 |

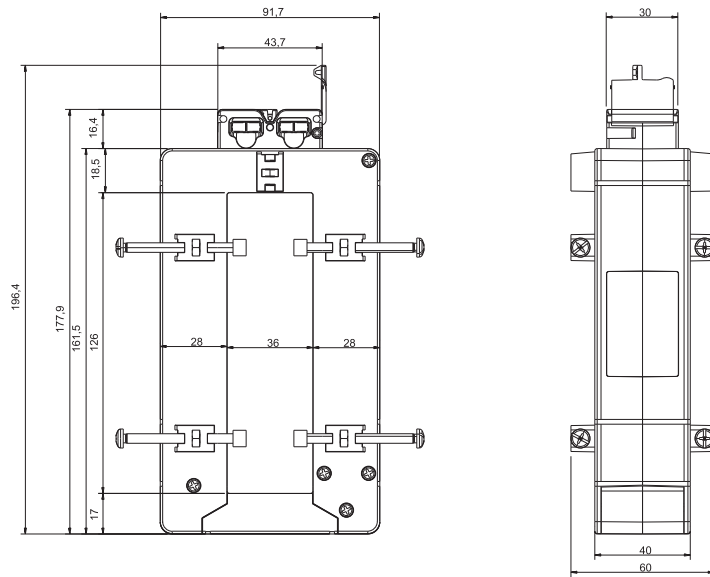
(*) A max overload of 120% for 1 min. every 30 min. is allowed.
 (+) A continuous overload of 120% of the range is allowed @ amb. temp. 40°C max.

Benefits

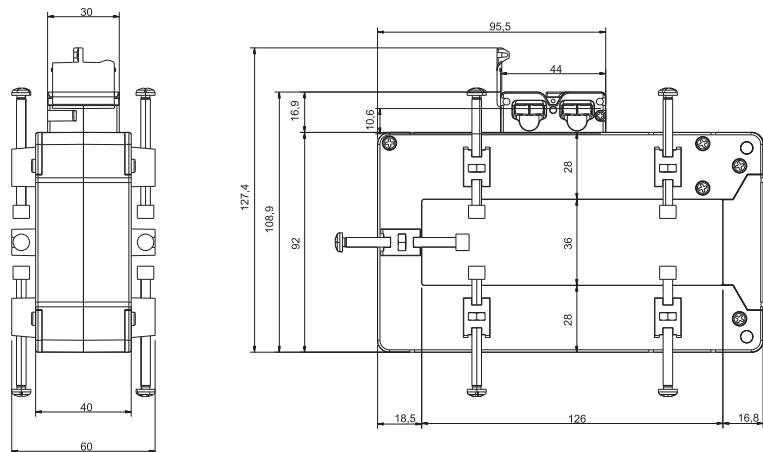


- Bridging of current transformer output without changing the connection of the secondary, so to avoid any output overvoltage during either the maintenance or the installation procedure (see figure 1).
- Easy output and earth connection (see fig. 2).
- Screw terminals compatible with any kind of wire terminals (see figure 3-4-5-6).

Dimensions Vertical mounting (mm)



Dimensions Horizontal mounting (mm)



Wiring Diagram

