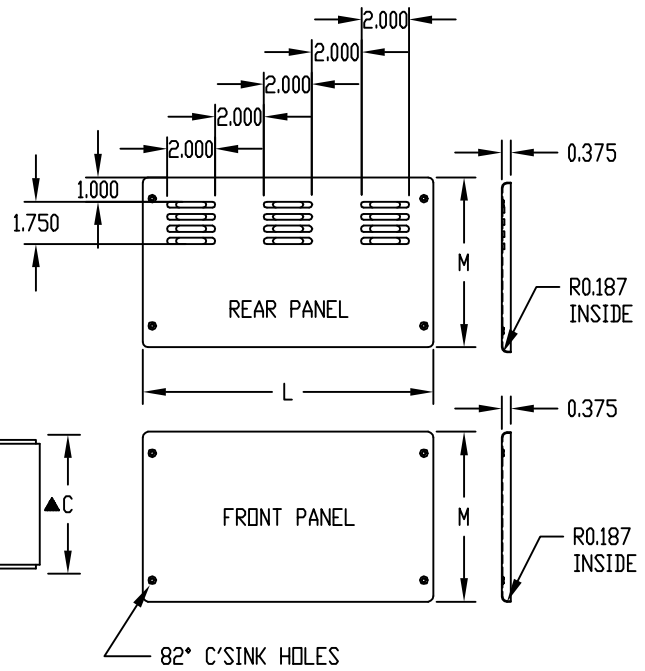
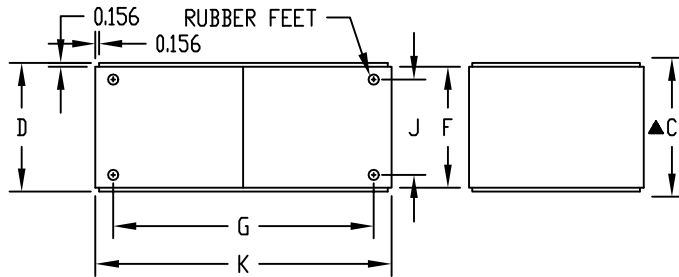
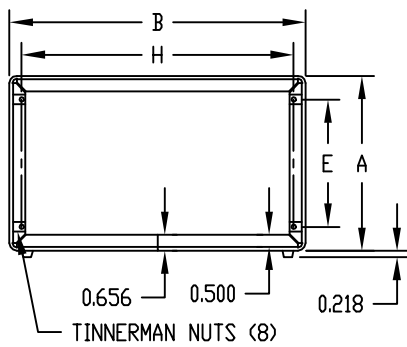
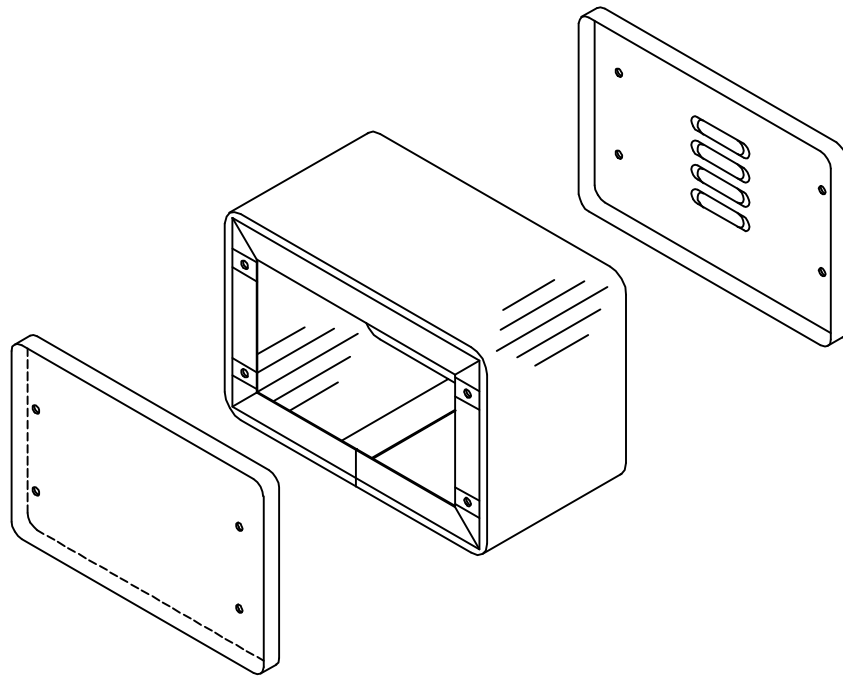


PART NAME

CONTOUR UTILITY CABINET

PART No.

CU-463 THRU CU-7127



**MATERIAL:**  
20 GA. STEEL

**FINISH:**  
BODY-GRAY TEXTURED  
PANEL-WHITE TEXTURED

FRONT & REAR PANELS (UNASSEMBLED)  
ATTACHED WITH #6-32 SCREWS.

● LOUVERS CENTERED ON PANEL.

▲ INCLUDES FRONT & REAR PANELS  
INSTALLED.

PART No.	OVERALL DIMENSION			D	E	F	G	H	J	K	L	M	LOUVER GROUPS
	A	B	▲ C										
CU-463	4.250	6.250	3.750	3.312	2.250	3.000	4.750	5.250	1.937	5.906	6.000	4.000	1
CU-465	4.250	6.250	5.750	5.312	2.250	5.000	4.750	5.250	3.937	5.906	6.000	4.000	1
CU-585	5.250	8.250	5.750	5.312	3.250	5.000	6.750	7.250	3.937	7.906	8.000	5.000	2
CU-587	5.250	8.250	7.750	7.312	3.250	7.000	6.750	7.250	5.937	7.906	8.000	5.000	2
CU-7125	7.250	12.250	5.750	5.312	5.250	5.000	10.750	11.250	3.937	11.906	12.000	7.000	3
CU-7127	7.250	12.250	7.750	7.312	5.250	7.000	10.750	11.250	5.937	11.906	12.000	7.000	3