

PART NAME	UTILIBOX (STYLE A)	PART No.	CU-3286 & CU-3286-MB CUR-3286 & CUR-3286-MB CUR-3286-C & CUR-3286-CMB	REV. DATE	9-2-10
-----------	--------------------	----------	-----------------------------------------------------------------------------	-----------	--------

MATERIAL:

BODY AND STANDARD COVERS

ABS THERMOPLASTIC (FLAMMABILITY RATING UL94-5VA)

RECESSED COVERS (CUR-)

ABS THERMOPLASTIC (FLAMMABILITY RATING UL94-5VA)

CLEAR COVERS (-C)

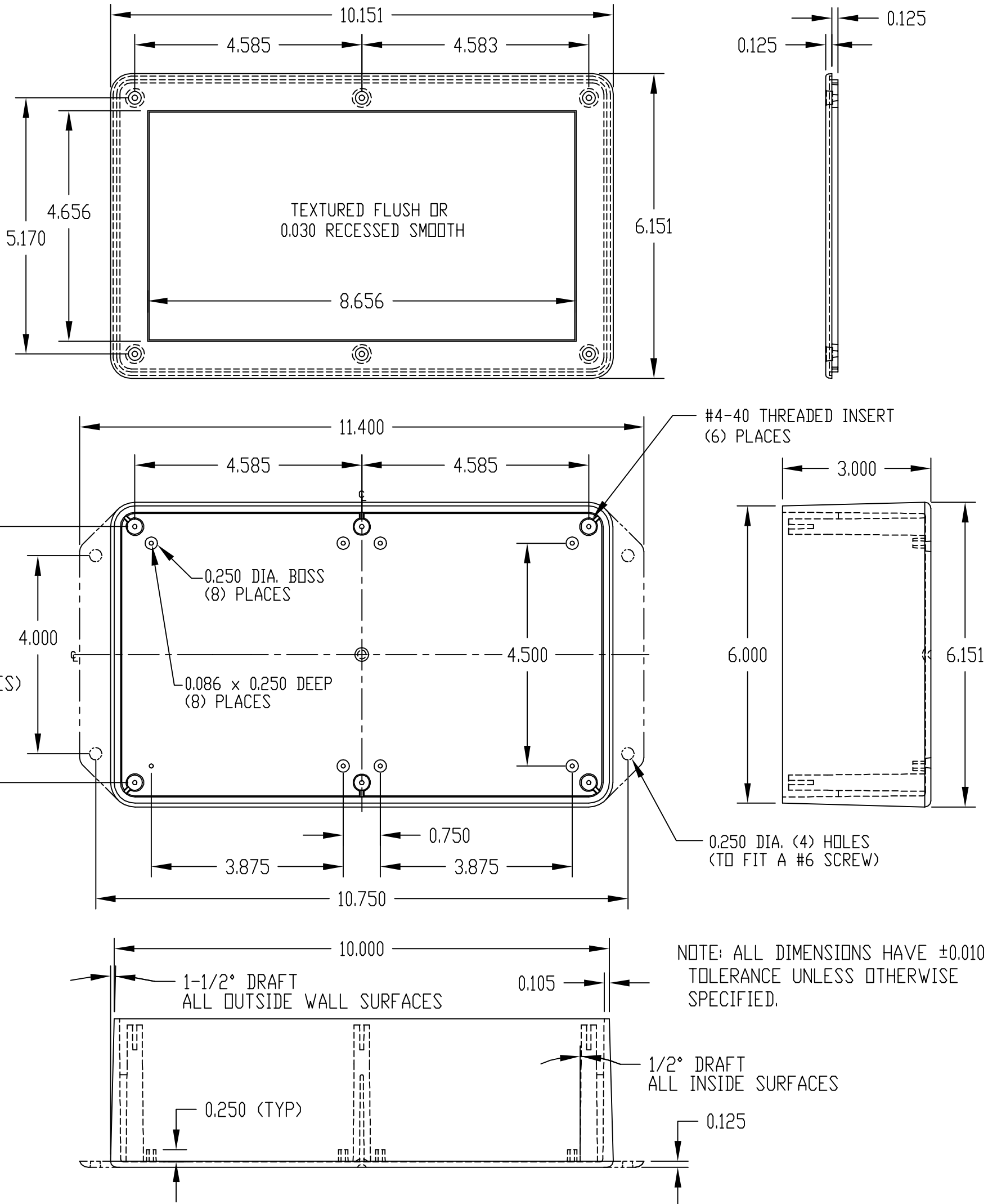
ABS THERMOPLASTIC (FLAMMABILITY RATING UL94V-2)

FINISH

BODY AND STANDARD COVERS ARE BLACK TEXTURED
RECESSED (CUR-) AND CLEAR COVERS (-C) ARE SMOOTH FINISH

SIX (6) #4-40 x 0.500" LG. SCREWS
SUPPLIED FOR ASSEMBLING COVER
TO BODY

MOUNTING BOSSES USE EITHER M2.5
METRIC OR #4 STD. SHEET METAL
SCREWS x 0.250" LG.
(NOT SUPPLIED)



PART No.	
CU-3286	TEXTURED FLUSH COVER LESS RECESS AND BODY WITHOUT MOUNTING FLANGE
CU-3286-MB	TEXTURED FLUSH COVER LESS RECESS AND BODY WITH MOUNTING FLANGE.
CUR-3286	COVER WITH SMOOTH 0.030 RECESS AND BODY WITHOUT MOUNTING FLANGE.
CUR-3286-MB	COVER WITH SMOOTH 0.030 RECESS AND BODY WITH MOUNTING FLANGE