

MODEL: CVS-2308 | **DESCRIPTION:** SPEAKER**FEATURES**

- plastic frame
- mylar cone
- plastic case

**SPECIFICATIONS**

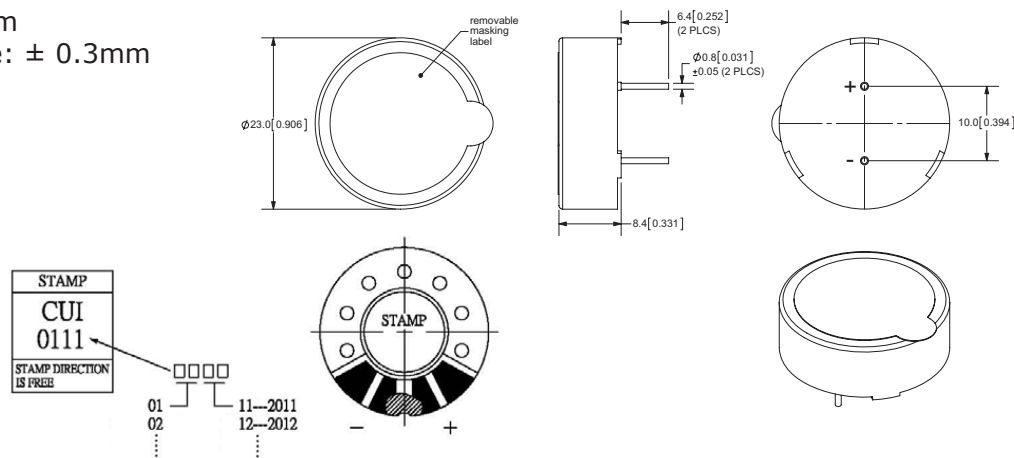
parameter	conditions/description	min	typ	max	units
diameter			23		mm
depth			15		mm
input power	max. power: IEC-60268-5, filter 60 s on / 120 s off, 10 cycles at room temp		0.1	0.15	W
impedance	at 2 kHz, 1 V	6.8	8	9.2	Ω
resonant frequency	at 1 V	1,200	1,500	1,800	Hz
sound pressure level	0.1 W, 10 cm ave. at 2.0, 2.5, 3.0, 4.0 kHz 1 W, 1 m ave. at 2.0, 2.5, 3.0, 4.0 kHz	85 74	88 77	91 80	dB dB
response				6,000	Hz
distortion	at 2 kHz, 0.1 W			10	%
buzz, rattle, etc.	must be normal at sine wave 0.89 V				
magnet size	$\varnothing 6.5 \times 1.5$ mm				
operating temperature		-20		55	$^{\circ}\text{C}$
weight			3.2		g
material	ABS UL-94 1/16" HB (black)				
washable	yes				
RoHS	yes				

SOLDERABILITY

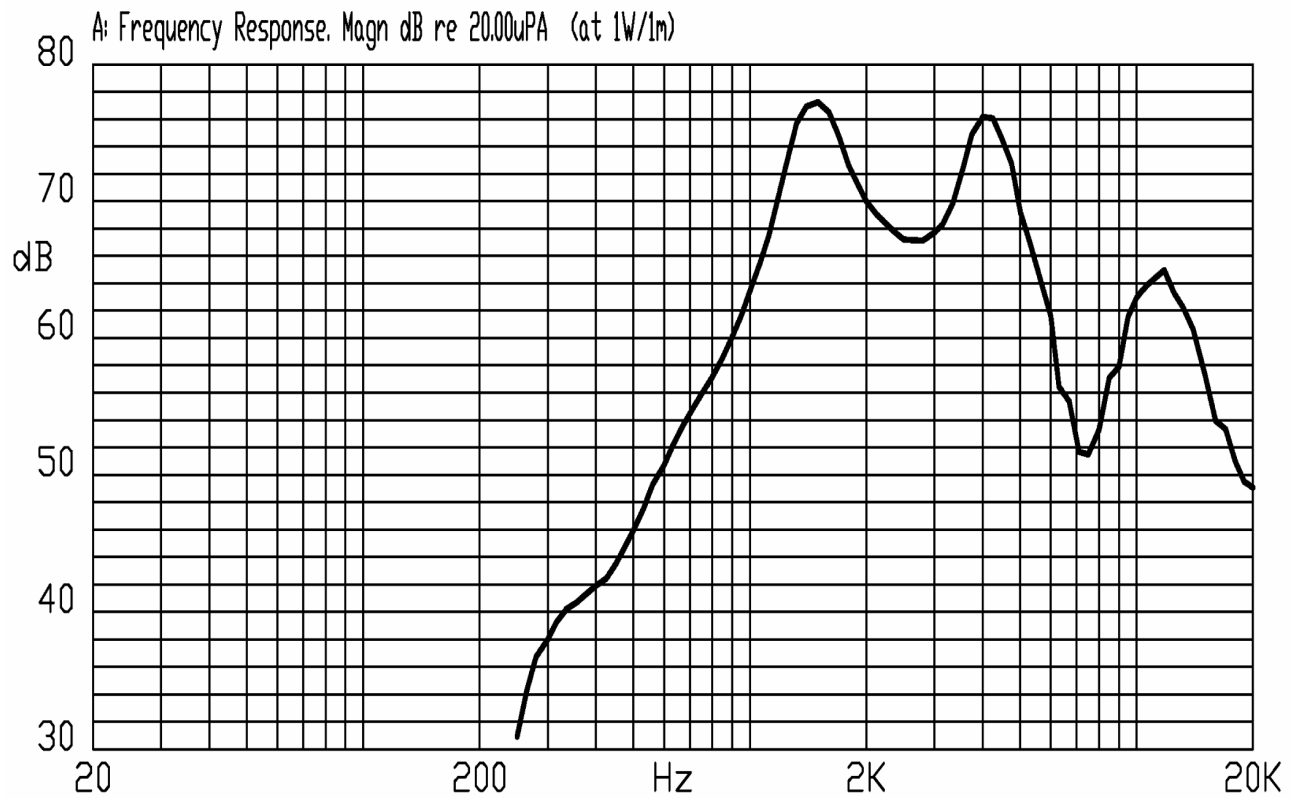
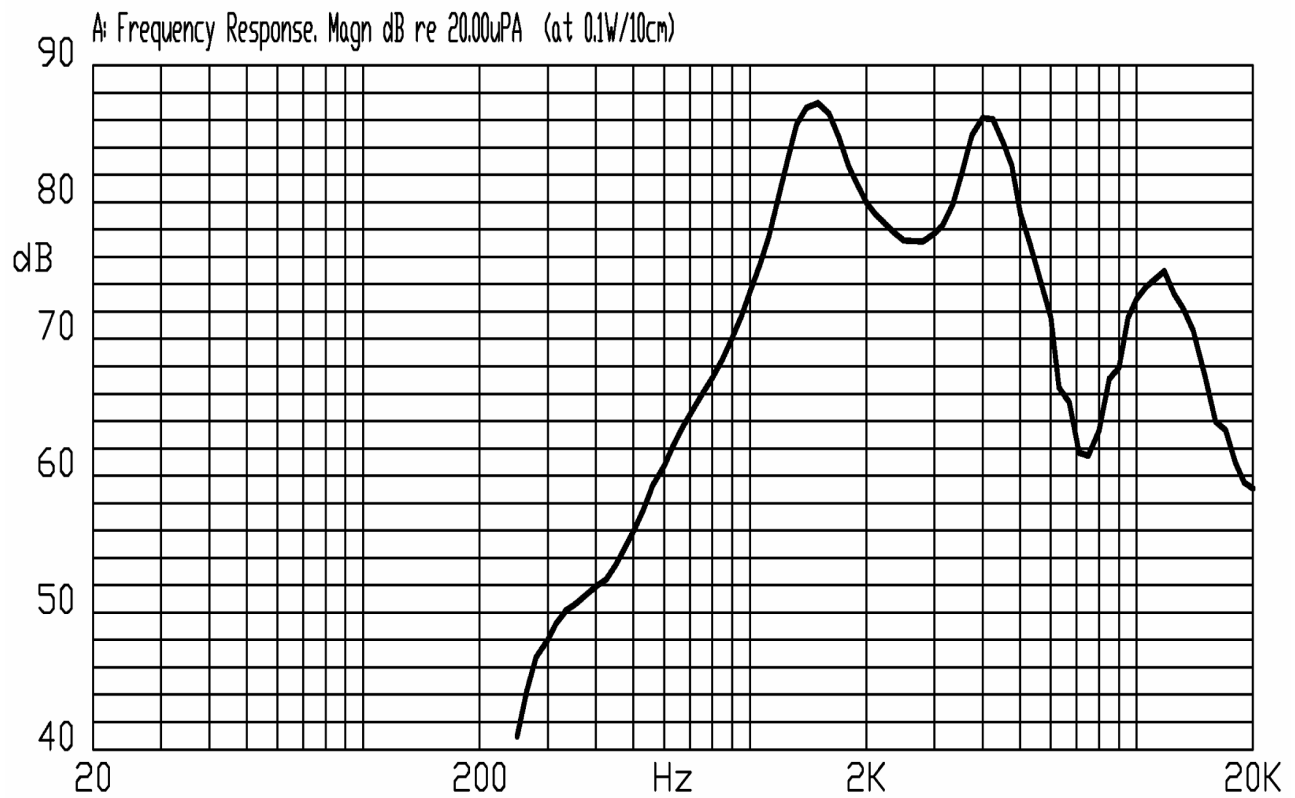
parameter	conditions/description
hand soldering	350 \pm 5 $^{\circ}\text{C}$ for 3 seconds

MECHANICAL DRAWING

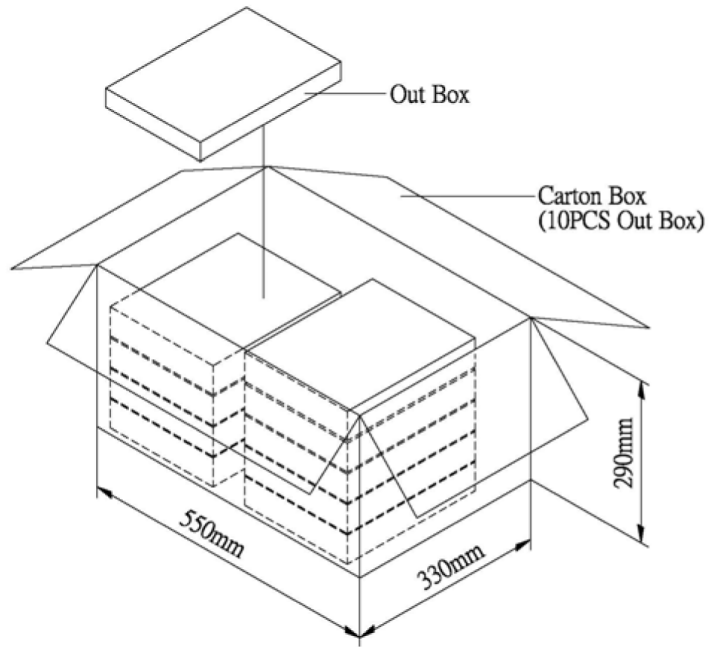
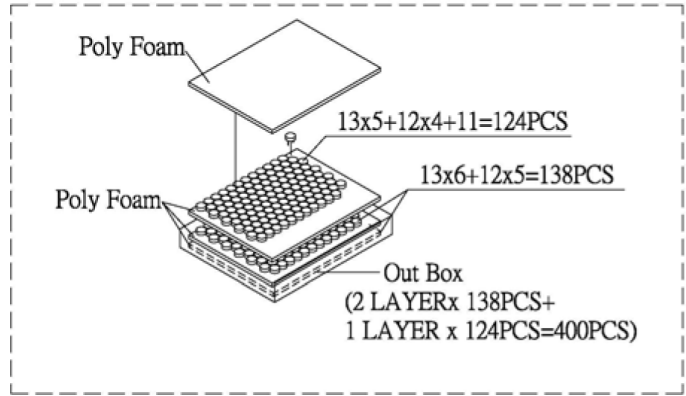
units: mm
tolerance: ± 0.3 mm



FREQUENCY RESPONSE CURVE



PACKAGING



Out Box	310mmx248mmx49mm	1x400PCS=400PCS
Carton Box	550mmx330mmx290mm	400PCSx10=4,000PCS