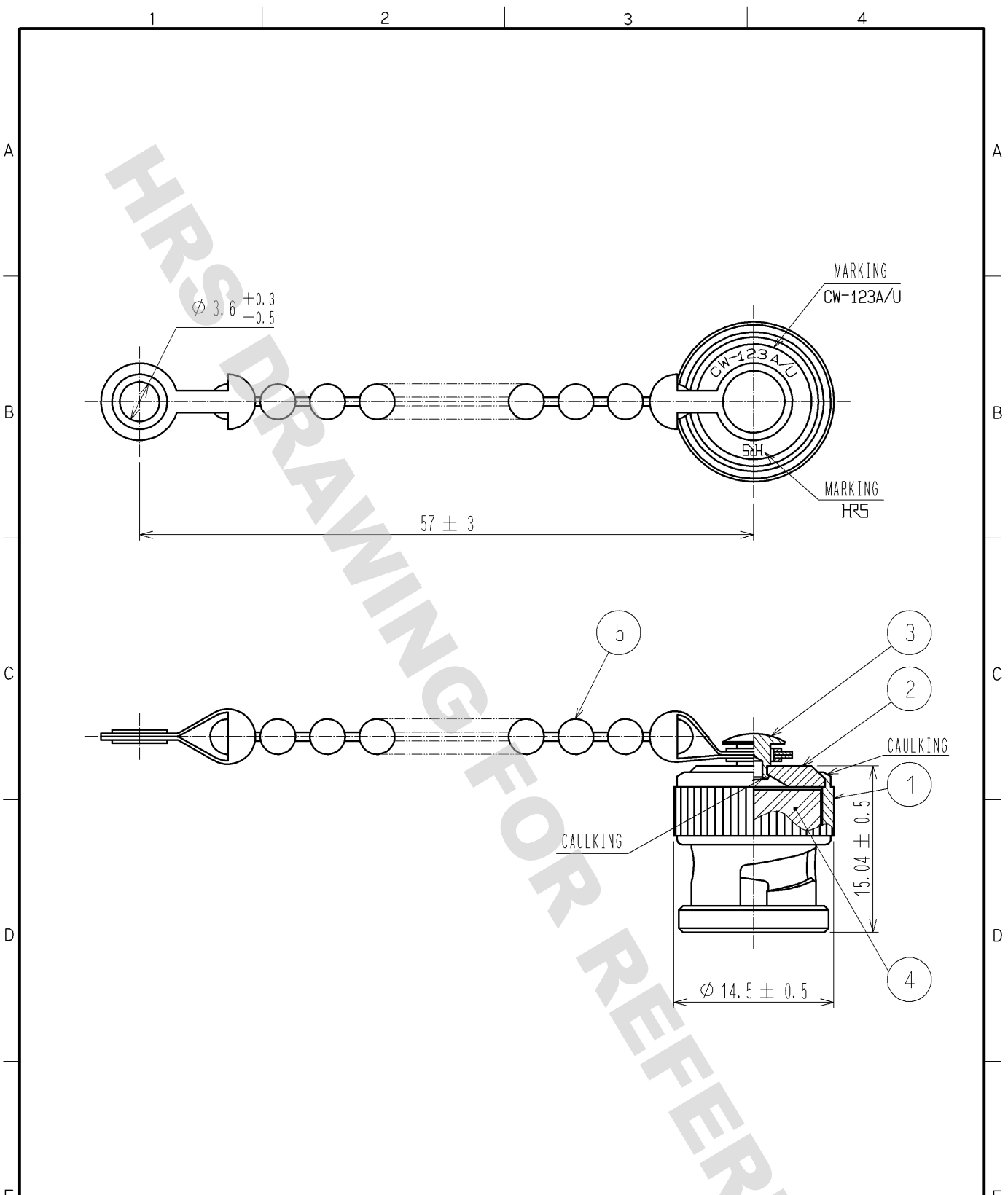


DRAWING FOR REFERENCE: This is subject to change without notice
08/11/2012



RoHS COMPLIANT

3	BRASS	SILVER PLATING		5	BRASS	SILVER PLATING	
2	BRASS	SILVER PLATING		4	SILICONE RUBBER		
1	BRASS	SILVER PLATING					
NO.	MATERIAL	FINISH	REMARKS	NO.	MATERIAL	FINISH	REMARKS

UNITS mm		SCALE 2 : 1	COUNT 	DESCRIPTION OF REVISIONS	DESIGNED	CHECKED	DATE
HIROSE ELECTRIC CO., LTD.				APPROVED : MH. YAMANE 11.11.26 CHECKED : NK. NINOMIYA 11.11.26 DESIGNED : YI. FUNADA 11.11.11 DRAWN : YI. FUNADA 11.11.11	DRAWING NO. EDC4-000459-40 PART NO. CW-123A/U(40) CODE NO. CL302-0041-5-40	1/1	