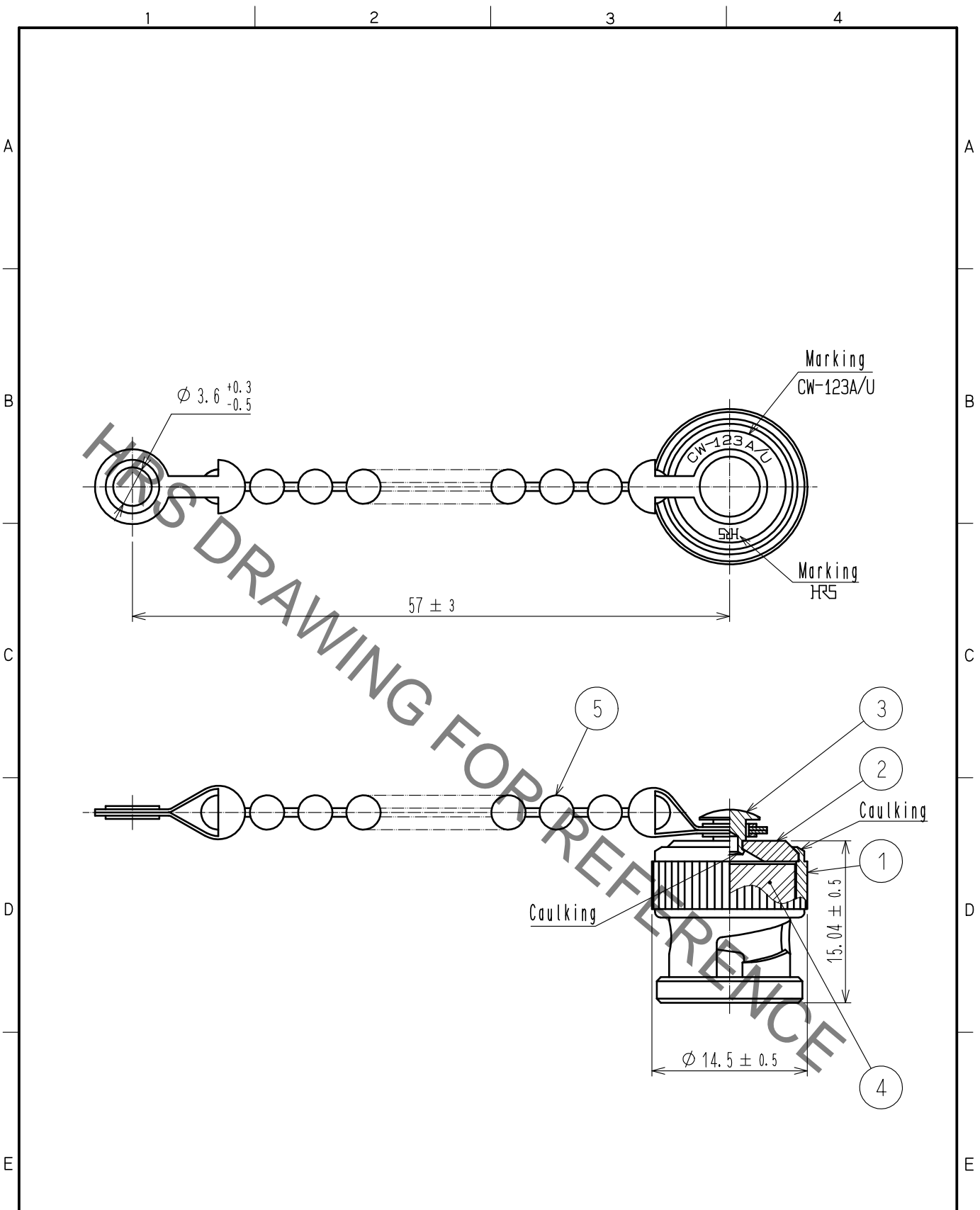


Feb.1.2022 Copyright 2022 HIROSE ELECTRIC CO., LTD. All Rights Reserved.
 In case of consideration for using Automotive equipment / device which demand high reliability, kindly contact our sales window correspondents.



3	BRASS	NICKEL PLATING						
2	BRASS	NICKEL PLATING		5	BRASS	NICKEL PLATING		
1	BRASS	NICKEL PLATING		4	SILICONE RUBBER			
NO.	MATERIAL	FINISH	REMARKS	NO.	MATERIAL	FINISH	REMARKS	
UNITS mm		SCALE 2 : 1	COUNT 	DESCRIPTION OF REVISIONS		DESIGNED	CHECKED	DATE
HIROSE ELECTRIC CO., LTD.		APPROVED	·NK. NINOMIYA	20211018	DRAWING NO.	EDC-000459-44-00		
		CHECKED	·NK. NINOMIYA	20211018	PART NO.	CW-123A/U(44)		
		DESIGNED	·MT. KANEKO	20211018	CODE NO.	CL0302-0041-5-44		
		DRAWN	·NK. OOSHIMA	20211015		1/1		