

SPECIFICATION CONTROL DRAWING

7526C4522

CHEMINAX

75 OHM, AWG 26, 7 STRANDS OF AWG 34,
OPTIMIZED DOUBLE SHIELDS, COAXIAL CABLE

Date: 4-3-18
Revision: C

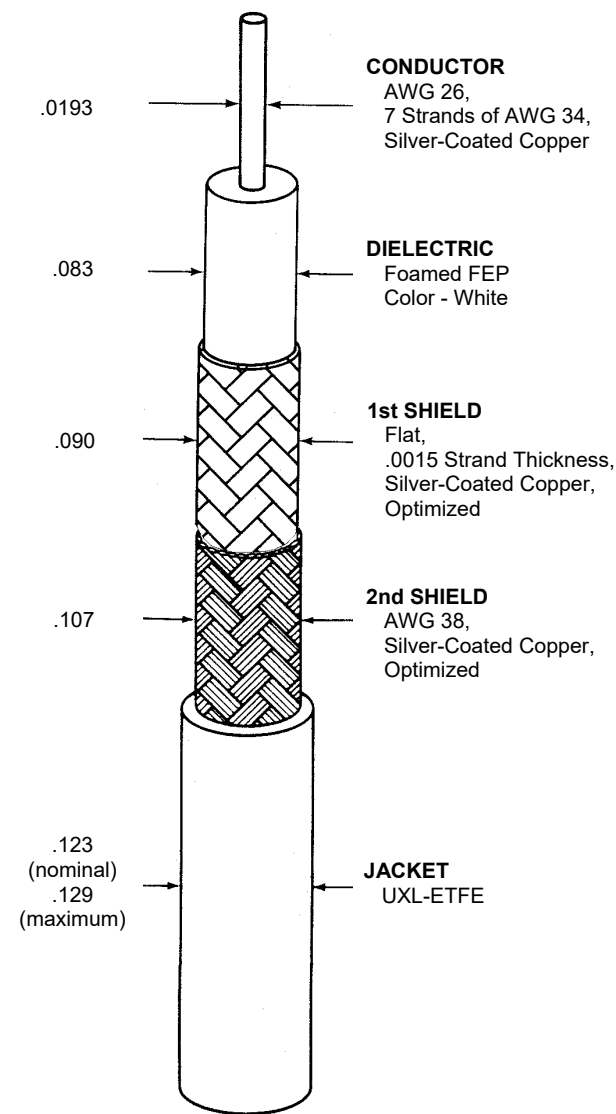
THIS SPECIFICATION SHEET FORMS A PART OF THE LATEST ISSUE OF RAYCHEM SPECIFICATION 1200.

CONSTRUCTION DETAILS

ELECTRICAL CHARACTERISTICS

DIMENSIONS ARE NOMINAL VALUES IN INCHES, UNLESS OTHERWISE DESIGNATED.

CHARACTERISTIC IMPEDANCE	75 ± 3 ohms, Method B
CAPACITANCE	16.7 pF/ft. (nominal)
VELOCITY OF PROPAGATION	81% (nominal)
ATTENUATION	0.58 dB/100 ft. (maximum) at 1 MHz 1.6 dB/100 ft. (maximum) at 10 MHz 5.0 dB/100 ft. (maximum) at 100 MHz 10.6 dB/100 ft. (maximum) at 400 MHz 22.0 dB/100 ft. (maximum) at 1.45 GHz 34.0 dB/100 ft. (maximum) at 3 GHz
SURFACE TRANSFER IMPEDANCE (Zt curve defined by the points)	32 milliohms/m (maximum) at 0.1-1 MHz 5.2 milliohms/m (maximum) at 10-27 MHz 25 milliohms/m (maximum) at 40 MHz 100 milliohms/m (maximum) at 1 GHz
SHIELD EFFECTIVENESS (Engineering Reference only - values determined by Zt above)	65.9 dB (minimum) at 0.1-1 MHz 81.6 dB (minimum) at 10-27 MHz 68.0 dB (minimum) at 40 MHz 56.0 dB (minimum) at 1 GHz



ADDITIONAL REQUIREMENTS

ELECTRICAL	
CONDUCTOR RESISTANCE	39.1 ohms/1000 ft. (nominal)
INSULATION RESISTANCE	10,000 megohms (minimum) for 1000 ft.
JACKET FLAWS	
SPARK TEST	1.0 kV (rms)
IMPULSE TEST	6.0 kV (peak)
VOLTAGE WITHSTAND (DIELECTRIC)	1000 volts (rms) (minimum)
ENVIRONMENTAL	
FLAMMABILITY	Method B
LOW TEMPERATURE-COLD BEND	-55°C/3.50 inch mandrel
VOLTAGE WITHSTAND (Post Environmental)	1000 volts (rms), 1 minute
PHYSICAL	
INSULATION (DIELECTRIC)	
ELONGATION	50% (minimum)
TENSILE STRENGTH	600 lbf/in ² (minimum)
JACKET	
ELONGATION	150% (minimum)
TENSILE STRENGTH	5000 lbf/in ² (minimum)
JACKET THICKNESS	.008 inch (nominal)
SHIELD COVERAGE (each)	95% (minimum)
WEIGHT	14.1 lbs/1000 ft. (nominal)

Designate outer jacket color with a dash number in accordance with MIL-STD-681. Unless otherwise specified, outer jacket color will be white designated by a "-9" appended to the part number, e.g. 7526C4522-9.

Other codes and suffixes may be added to the part number, as necessary, to capture any additional requirements imposed by the purchase order.

Users should evaluate the suitability of this product for their application. Specifications are subject to change without notice. TE Connectivity also reserves the right to make changes in materials or processing, which do not affect compliance with any specification, without notification to Buyer.

ENGINEERING REFERENCE	
TEMPERATURE RATING	-65°C to 150°C
BEND RADIUS	0.6 inch (minimum)

