

## CX2142NL

- BALUN TRANSFORMERS
- 1:1, 50–870 MHz
- IMPEDANCE = 75 OHMS
- SURFACE MOUNT

### ELECTRICAL SPECIFICATIONS: @ 25°C

#### INSERTION LOSS:

FREQUENCY	ATTENUATION
50 MHz	-1.0 dB MAX
208 MHz	-1.0 dB MAX
870 MHz	-1.0 dB MAX

#### RETURN LOSS:

FREQUENCY	ATTENUATION
50 MHz	-9.0 dB MIN
208 MHz	-20 dB MIN
870 MHz	-18 dB MIN

#### AMPLITUDE UNBALANCE:

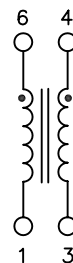
FREQUENCY	ATTENUATION
50–1000 MHz	±8° MAX

#### PHASE UNBALANCE:

FREQUENCY	ATTENUATION
50 MHz	1.4 dB MAX
100–1000 MHz	.7 dB MAX

#### NOTES: UNLESS OTHERWISE SPECIFIED

- OPERATING TEMPERATURE: -40°C TO +85°C
- STORAGE TEMPERATURE: -50°C TO +125°C
- COMPLIANCE TO J-STD:
  - J-STD-002: SOLDERABILITY AT REFLOW PEAK TEMPERATURE OF 245°C
  - J-STD-020: MSL 1, NO MOISTURE SENSITIVE
  - J-STD-075: R6, 250°C MAXIMUM THROUGH REFLOW SOLDER
- DIMENSIONS ARE IN INCHES.
  - TOLERANCE:
    - .XX = ±.01
    - .XXX = ±.005
- OPTIONAL TAPE & REEL PACKAGING CAN BE ORDERED BY ADDING A "T" SUFFIX TO THE PART NUMBER. ie: CX2142NLT



SCHEMATIC

© Copyright, 2014. Pulse Electronics Corp. All rights reserved. Pulse confidential & proprietary. (04/14/2014)

PRODUCT DESCRIPTION:

XFMR, SGL, RF, 50–870MHz, 1:1

SHEET:

1 OF 2

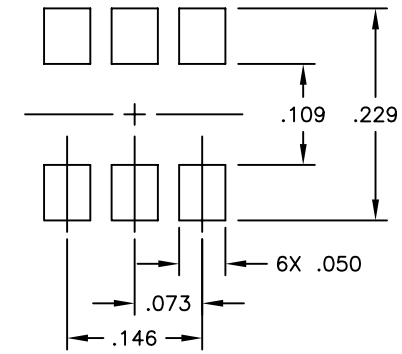
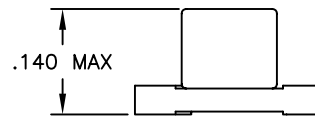
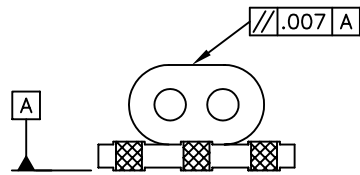
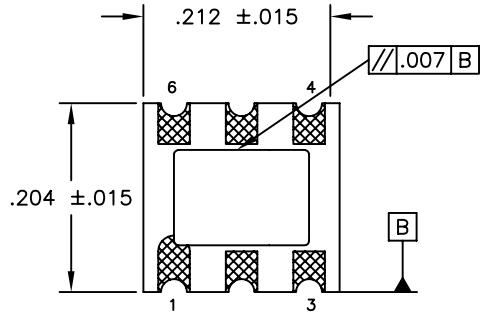
PART NO.

CX2142NL

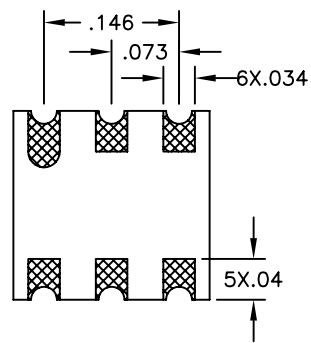
DATASHEET REV.

M12

**MECHANICAL SPECIFICATIONS:**



SUGGESTED LAND PATTERN



© Copyright, 2014. Pulse Electronics Corp. All rights reserved. Pulse confidential & proprietary. (04/14/2014)

PRODUCT DESCRIPTION:		SHEET:	PART NO.	DATASHEET REV.
XFMR, SGL, RF, 50-870MHz, 1:1		2 OF 2	CX2142NL	M12