

PRODUCT DATASHEET

PART NUMBER: CX2232NL

- 1:1 RF Transformer
- 800-1900 MHz
- Suitable for MoCA Applications
- Surface Mount, FR4 Substrate
- RoHS Compliant

Electrical Specifications @ 25°C (Operating Temperature -40°C to +85°C)

INSERTION LOSS :

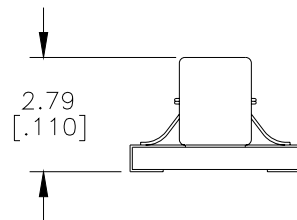
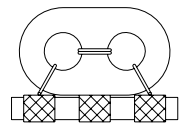
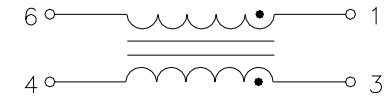
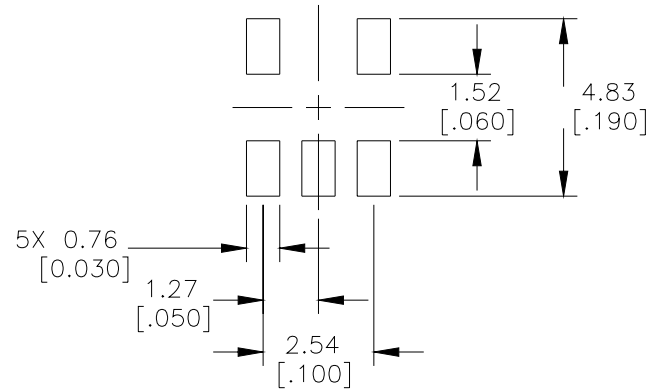
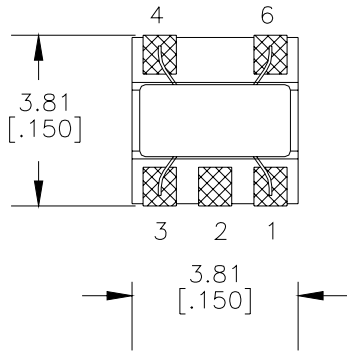
| | | | | | | | |
|--------------|--------------|--|--|--|--|--|--|
| 800-1900 MHz | 900-1400 MHz | | | | | | |
| 3.0 dB Max | 1.0 dB Max | | | | | | |

Note: Insertion Loss is referenced to Mid-Band Loss

RETURN LOSS :

| | | | | | | | |
|-------------|-------------|-------------|-------------|--|--|--|--|
| 800 MHz | 1200 MHz | 1600 MHz | 1900 MHz | | | | |
| 18.0 dB Min | 15.0 dB Min | 14.0 dB Min | 13.0 dB Min | | | | |

Mechanical Specifications



| DIMENSIONS | MM | [INCH] |
|------------|--------------|---------------|
| TOLERANCES | .XX +/- .25 | .XX +/- .01 |
| | .XXX +/- .12 | .XXX +/- .005 |