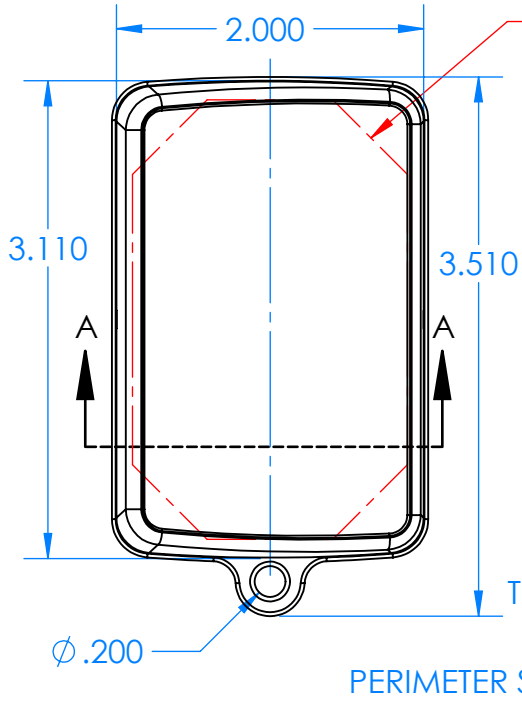
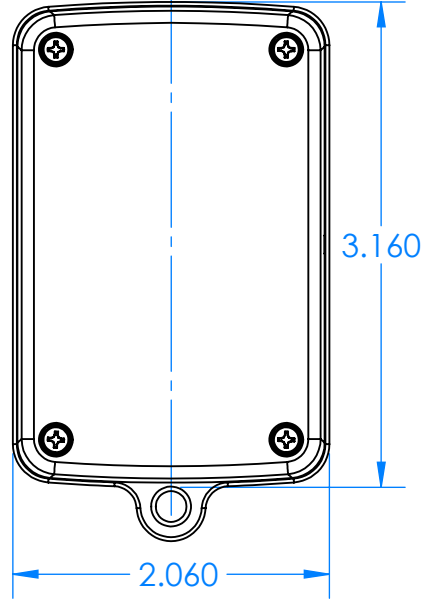
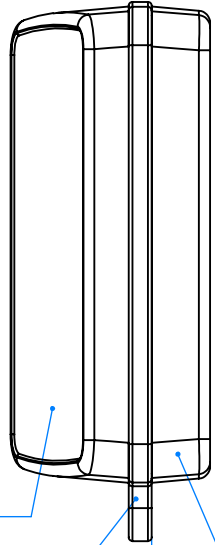


# SERPAC CXL67SD-YY-A-ZZ

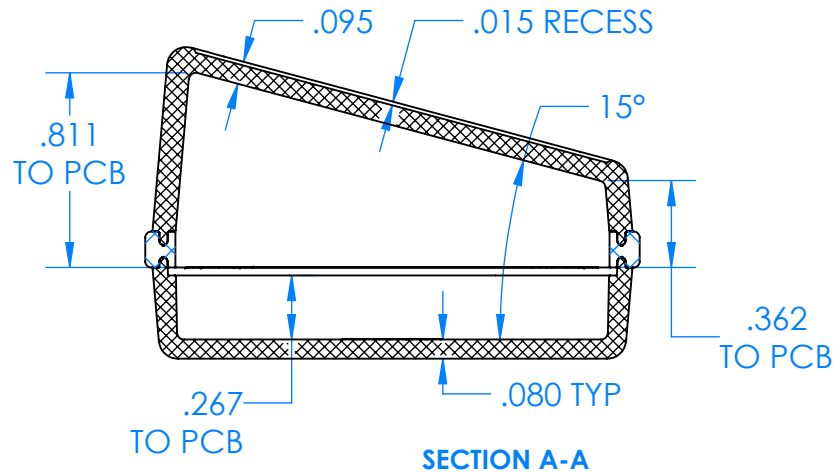
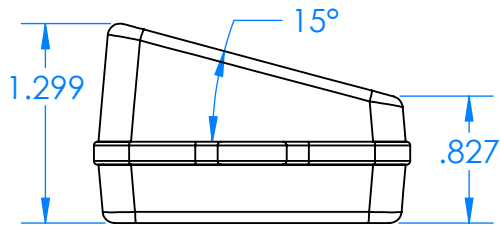
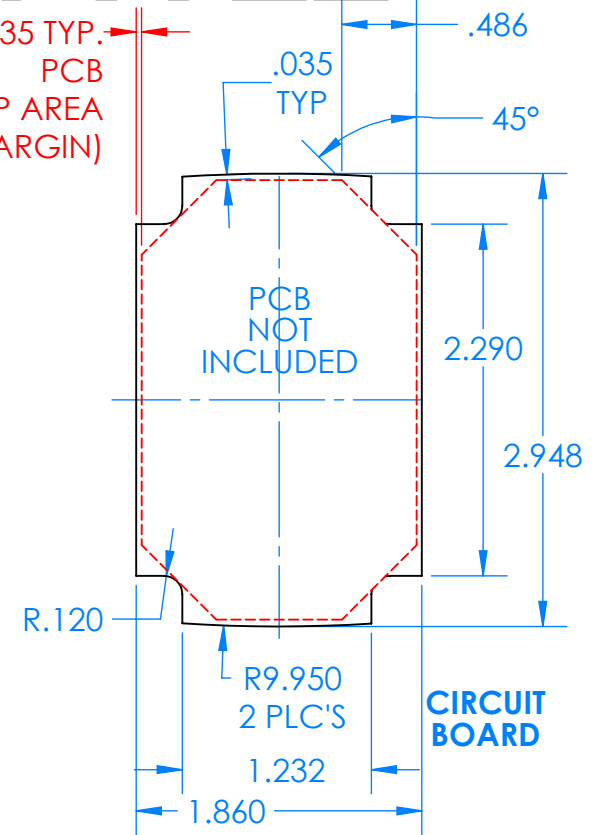
Electronic Enclosures



PCB CLAMP AREA



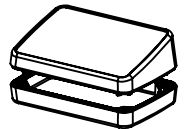
.035 TYP.  
PCB  
CLAMP AREA  
(NON USABLE MARGIN)



## Enclosure color (YY)

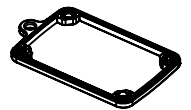
Top-Bottom combinations available

- BK=black
- CL=clear
- TRGY=translucent gray
- TRRD=translucent red



## Seal color (ZZ)

- BK=black
- BL=blue
- GM=gunmetal
- NG=neon green
- NO=neon orange
- OR=orange
- YL=yellow
- WH=white



| PN    | Description                                      |
|-------|--|
| 5537D | (1) BW 6C Slanted Top                            |
| 5536D | (1) BW 6C Bottom                                 |
| 5541A | (1) CXL6A Perimeter seal style A                 |
| 6002  | (4) #2 X 3/8" PH HD screw<br>TORQUE 35-60 in-oz. |

Watertight enclosure meets or exceeds:  
IP67  
NEMA 4X, 12, 13