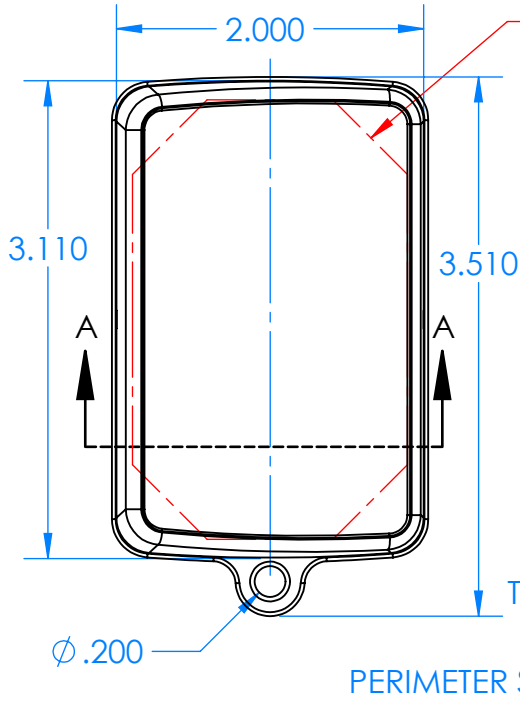
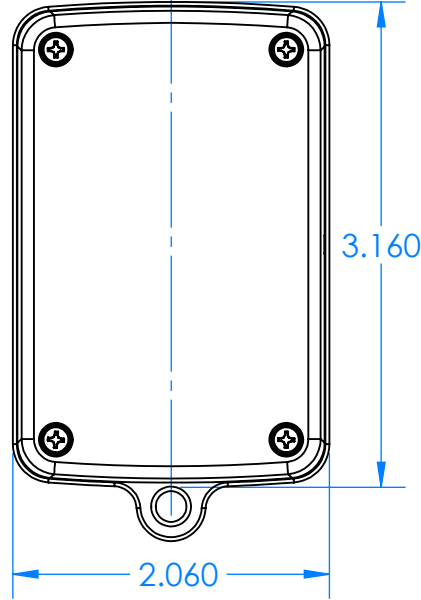
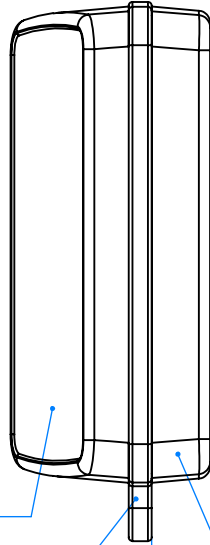


# SERPAC CXL67SD-YY-A-ZZ

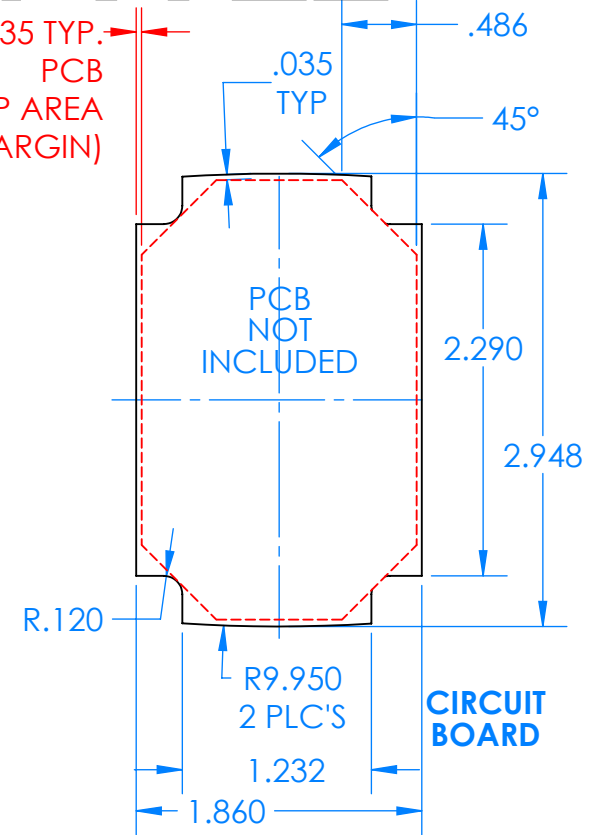
Electronic Enclosures



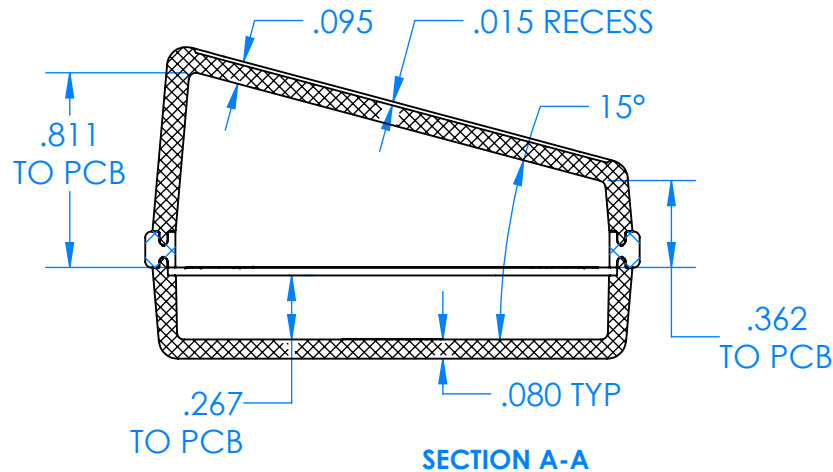
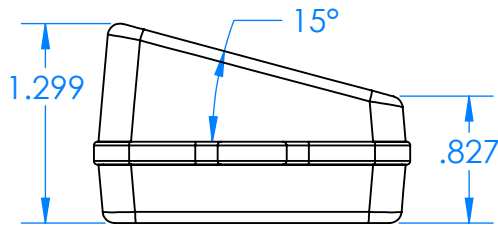
PCB CLAMP AREA



.035 TYP.  
PCB  
CLAMP AREA  
(NON USABLE MARGIN)



PCB  
NOT  
INCLUDED

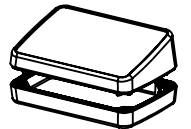


SECTION A-A

### Enclosure color (YY)

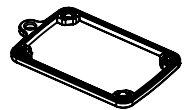
Top-Bottom combinations available

- BK=black
- CL=clear
- TRGY=translucent gray
- TRRD=translucent red



### Seal color (ZZ)

- BK=black
- BL=blue
- GM=gunmetal
- NG=neon green
- NO=neon orange
- OR=orange
- YL=yellow
- WH=white



PN	Description
5537D	(1) BW 6C Slanted Top
5536D	(1) BW 6C Bottom
5541A	(1) CXL6A Perimeter seal style A
6002	(4) #2 X 3/8" PH HD screw TORQUE 35-60 in-oz.

Wateright enclosure mees or exceeds:  
IP67  
NEMA 4X, 12, 13