



Please note that Cypress is an Infineon Technologies Company.

The document following this cover page is marked as “Cypress” document as this is the company that originally developed the product. Please note that Infineon will continue to offer the product to new and existing customers as part of the Infineon product portfolio.

Continuity of document content

The fact that Infineon offers the following product as part of the Infineon product portfolio does not lead to any changes to this document. Future revisions will occur when appropriate, and any changes will be set out on the document history page.

Continuity of ordering part numbers

Infineon continues to support existing part numbers. Please continue to use the ordering part numbers listed in the datasheet for ordering.

USB-I²C Single Channel Bridge Controller

Features

- USB 2.0-compliant, Full-Speed (12 Mbps)
 - Supports communication driver class (CDC), personal health care device class (PHDC), and vendor-device class
 - Battery charger detection (BCD) compliant with USB Battery Charging Specification, Rev. 1.2 (Peripheral Detect only)
 - Integrated USB termination resistors
- Single-channel configurable I²C interface
 - Master/Slave up to 400 kHz and by default the part is configured as I²C Slave
 - 256 bytes each transmit and receive buffer
 - Supports multi-master I²C
- General-purpose input/output (GPIO) pins: 8
- 512-byte flash for storing configuration parameters
- Configuration utility (Windows) to configure the following:
 - Vendor ID (VID), Product ID (PID), and Product and Manufacturer descriptors
 - I²C
 - Charger detection
 - GPIO
- Driver support for VCOM and DLL
 - Windows 10: 32- and 64-bit versions
 - Windows 8.1: 32- and 64-bit versions
 - Windows 8: 32- and 64-bit versions
 - Windows 7: 32- and 64-bit versions
 - Windows Vista: 32- and 64-bit versions
 - Windows XP: 32- and 64-bit versions
 - Mac OS-X: 10.6, 10.7
 - Linux: Kernel version 2.6.35 onwards.
- Clocking: Integrated 48-MHz clock oscillator
- Supports bus-/self-powered configurations
- USB Suspend mode for low power
- Operating voltage: 1.71 to 5.5 V
- Operating temperature
 - Commercial: 0 °C to 70 °C
 - Industrial: -40 °C to 85 °C
- ESD protection: 2.2-kV HBM
- RoHS-compliant package
 - 24-pin QFN (4.0 mm × 4.0 mm, 0.55 mm, 0.5 mm pitch)
- Ordering part number
 - CY7C65216-24LTXI
 - CY7C65216-24LTXIT

Applications

- Medical/healthcare devices
- Point-of-Sale (POS) terminals
- Test and measurement system
- Gaming systems
- Set-top box PC-USB interface
- Industrial
- Networking
- Enabling USB connectivity in legacy peripherals

Functional Description

For a complete list of related resources, click [here](#).

USB-Compliant

USB-I²C Single Channel Bridge Controller is fully compliant with the USB 2.0 Specification and Battery Charger Specification v1.2.

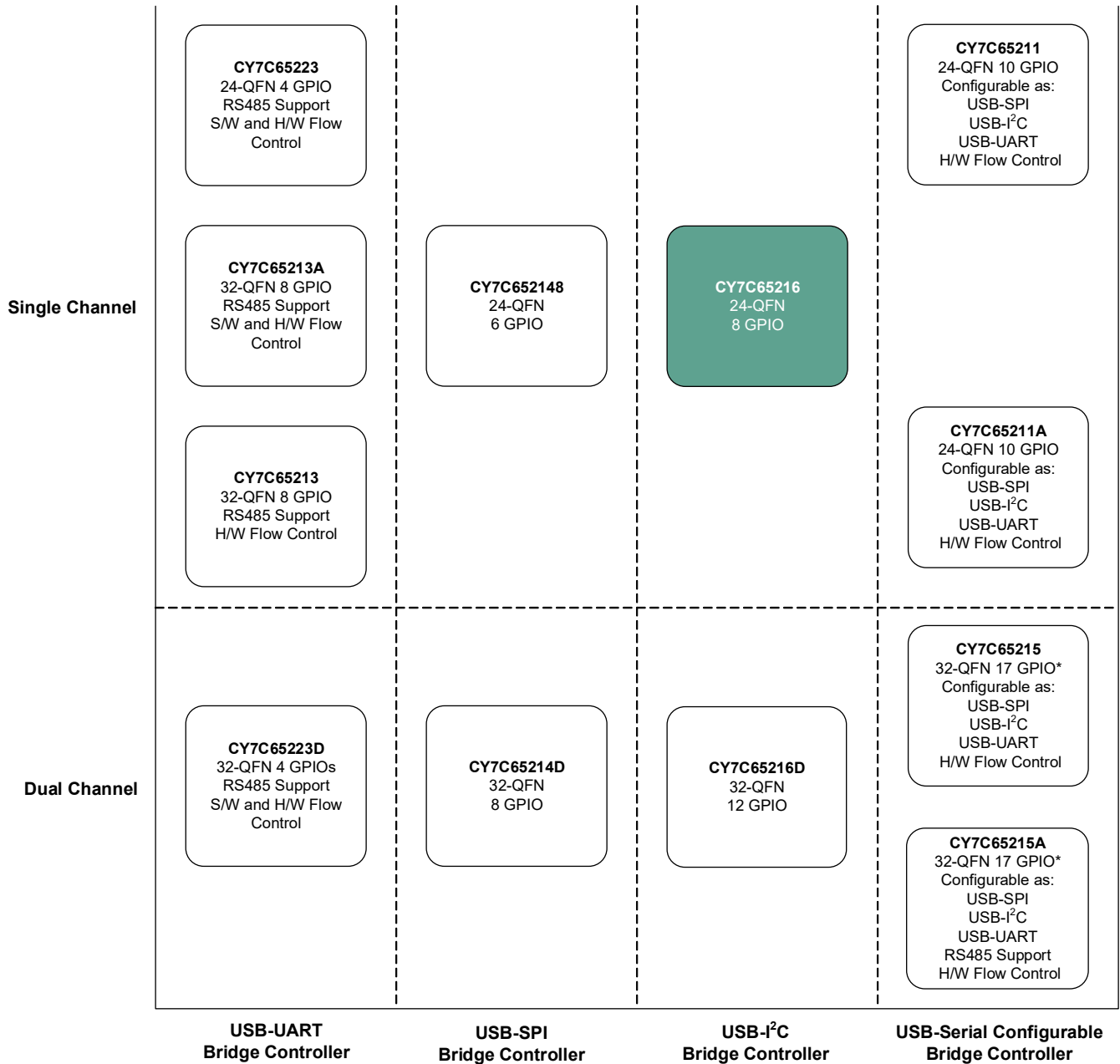


Errata: For information on silicon errata, see “Errata” on page 25. Details include trigger conditions, devices affected, and proposed workaround.

USB Serial Bridge Controller Family

USB Serial bridge Controllers are a family of configurable products for most common applications requiring no firmware changes. Configuration utility is provided to Configure USB-VID, USB-PID, USB Product and Manufacturer Descriptors. The same configuration utility can be used to configure UART, I²C, SPI, Battery Charger Detection, GPIOs, Power mode, and so on.

Figure 1. USB Serial Bridge Controller Family



Errata: For information on silicon errata, see "Errata" on page 25. Details include trigger conditions, devices affected, and proposed workaround.

Table 1. USB Serial Family Feature Comparison

MPN	# of Channels	GPIO	USB-UART				USB-SPI		USB-I ² C
			RS485 Support	Software Flow Control	Hardware Flow Control	UART Pins**	SPI Serial Data Width (bit)	SPI Master/Slave	I ² C Master/Slave
CY7C65213	1	8	N	N	Y	8	–	–	–
CY7C65213A	1	8	Y	N	Y	8	–	–	–
CY7C65223	1	4	Y	Y	Y	2 / 4 / 6	–	–	–
CY7C65223D	2	4	Y	Y	Y	2 / 4 / 6 / 8	–	–	–
CY7C652148	1	6	–	–	–	–	4-16 bits	Master/Slave	–
CY7C65214D	2	8	–	–	–	–	4-16 bits	Master/Slave	–
CY7C65216	1	8	–	–	–	–	–	–	Master/Slave
CY7C65216D	2	12	–	–	–	–	–	–	Master/Slave
CY7C65211	1	10*	N	N	Y	2 / 4 / 6	4-16 bits	Master/Slave	Master/Slave
CY7C65211A	1	10*	Y	N	Y	2 / 4 / 6	4-16 bits	Master/Slave	Master/Slave
CY7C65215	2	17*	N	N	Y	2 / 4 / 6	4-16 bits	Master/Slave	Master/Slave
CY7C65215A	2	17*	Y	N	Y	2 / 4 / 6 / 8	4-16 bits	Master/Slave	Master/Slave

Legend

* Represents the total GPIO count offered by the part. This count can dynamically change based on UART / SPI / I²C pin configuration.

** UART Pins

**UART Pins	UART Signal
2	RxD and TxD
4	RxD, TxD, RTS#, CTS#
6	RxD, TxD, RTS#, CTS#, DTR#, DSR#
8	RxD, TxD, RTS#, CTS#, DTR#, DSR#, DCD#, RI#

Table 2. Default Serial Channel Configuration

MPN	# of Channels	GPIO	USB Protocol	USB- UART		USB-SPI	USB-I ² C
				Is RS485 Enabled	UART Pins	SPI Master/ Slave	I ² C Master/ Slave
CY7C65213	1	4	CDC**	N	8	–	–
CY7C65213A	1	4	CDC**	N	8	–	–
CY7C65223	1	4	CDC**	Y	4	–	–
CY7C65223D	2	4	CDC**	Y	4	–	–
CY7C652148	1	6	Vendor***	–	–	Master	–
CY7C65214D	2	8	Vendor***	–	–	Master	–
CY7C65216	1	8	Vendor***	–	–	–	Slave
CY7C65216D	2	12	Vendor***	–	–	–	Master
CY7C65211	1	3	CDC**	N	6	–	–
CY7C65211A	1	3	CDC**	N	6	–	–
CY7C65215	2	4	CDC**	N	6	–	–
CY7C65215A	2	4	CDC**	N	6	–	–

** USB CDC Protocol allows the USB host Operating System to detect the device as Virtual COM Port Device.

*** USB Vendor Protocol allows the USB host operating system to detect the device as general USB device. This device is accessible using Cypress Application Library.

More Information

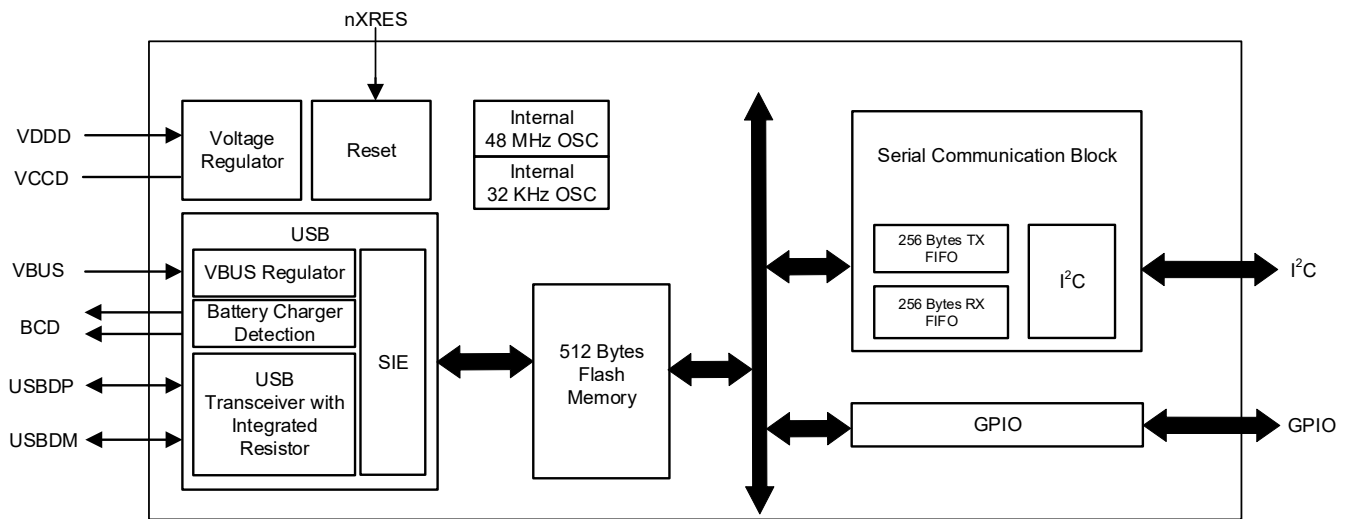
Cypress provides a wealth of data at www.cypress.com to help you to select the right device for your design, and to help you to quickly and effectively integrate the device into your design. For a comprehensive list of resources, see the document [USB-Serial Bridge Controller Product Overview](#).

- Overview: [USB Portfolio](#), [USB Roadmap](#)
- USB 2.0 Product Selectors: [USB-Serial Bridge Controller](#), [USB to UART Controller \(Gen I\)](#)
- Knowledge Base Articles: Cypress offers a large number of USB knowledge base articles covering a broad range of topics, from basic to advanced level. Recommended knowledge base articles for getting started with USB-Serial Bridge Controller are:
 - [KBA85909](#) – Key Features of the Cypress® USB-Serial Bridge Controller
 - [KBA85920](#) – USB-UART and USB-Serial
 - [KBA85921](#) – Replacing FT232R with CY7C65213 USB-UART LP Bridge Controller
 - [KBA85913](#) – Voltage supply range for USB-Serial
 - [KBA89355](#) – USB Serial Cypress Default VID and PID
 - [KBA92641](#) – USB-Serial Bridge Controller Managing I/Os using API
 - [KBA92442](#) – Non-Standard Baud Rates in USB-Serial Bridge Controllers
 - [KBA91366](#) – Binding a USB-Serial Device to a Microsoft® CDC Driver
 - [KBA92551](#) – Testing a USB-Serial Bridge Controller Configured as USB-UART with Linux®
 - [KBA91299](#) – Interfacing an External I²C Device with the CYUSBS234/236 DVK

For complete list of knowledge base articles, click [here](#).

- Code Examples: [USB Full-Speed](#)
- Development Kits:
 - [CYUSBS232](#), Cypress USB-UART LP Reference Design Kit
 - [CYUSBS234](#), Cypress USB-Serial (Single Channel) Development Kit
 - [CYUSBS236](#), Cypress USB-Serial (Dual Channel) Development Kit
- Models: [IBIS](#)

Block Diagram



Contents

Functional Overview	8	USB Power Configurations	16
USB and Charger Detect	8	USB Bus-Powered Configuration	16
Serial Communication	8	Self-Powered Configuration	17
Default Configuration	8	USB Bus-Powered with Variable I/O Voltage	18
Memory	8	Application Examples	19
System Resources	8	USB to I ² C Bridge	19
Suspend and Resume	8	Battery-Operated, Bus-Powered USB to MCU	
WAKEUP	8	with Battery Charge Detection	20
Software	8	Ordering Information	22
Internal Flash Configuration	9	Ordering Code Definitions	22
Electrical Specifications	10	Package Information	23
Absolute Maximum Ratings	10	Acronyms	24
Operating Conditions	10	Document Conventions	24
Device-Level Specifications	10	Units of Measure	24
GPIO	11	Errata	25
nXRES	12	Document History Page	26
I ² C Specifications	12	Sales, Solutions, and Legal Information	27
Flash Memory Specifications	12	Worldwide Sales and Design Support	27
Pin Description	13	Products	27
		PSoC [®] Solutions	27
		Cypress Developer Community	27
		Technical Support	27

Functional Overview

The CY7C65216 is a Full-Speed USB controller that enables seamless PC connectivity for peripherals with I²C interface. CY7C65216 is compliant to BCD specification rev 1.2. It integrates a voltage regulator, an oscillator, and flash memory for storing configuration parameters, offering a cost-effective solution. CY7C65216 supports bus-powered and self-powered modes and enables efficient system power management with suspend and remote wake-up signals. It is available in a 24-pin QFN package.

USB and Charger Detect

USB

CY7C65216 has a built-in USB 2.0 Full-Speed transceiver. The transceiver incorporates the internal USB series termination resistors on the USB data lines and a 1.5-k Ω pull-up resistor on USBDP.

Charger Detection

CY7C65216 supports BCD for Peripheral Detect only and complies with the USB Battery Charging Specification, Rev. 1.2. It supports the following charging ports:

- Standard Downstream Port (SDP): Allows the system to draw up to 500 mA current from the host
- Charging Downstream Port (CDP): Allows the system to draw up to 1.5 A current from the host
- Dedicated Charging Port (DCP): Allows the system to draw up to 1.5 A of current from the wall charger

Serial Communication

CY7C65216 has a serial communication block (SCB). Each SCB can implement I²C interface. A 256-byte buffer is available in both the TX and RX lines.

I²C Interface

The I²C interface implements full multi-master/slave modes and supports up to 400 kHz. The configuration utility tool is used to set the I²C address in the slave mode. The tool enables only even slave addresses. For further details on the protocol, refer to the NXP I²C specification, Rev. 5.

Notes

- I²C ports are not tolerant of higher voltages. Therefore, they cannot be hot-swapped or powered up independently when chip is not powered.
- The minimum fall time of the SCL is met (as per NXP I²C specification Rev. 5) when V_{DD} is between 1.71 V and 3.0 V. When V_{DD} is within the range of 3.0 V to 3.6 V, it is recommended to add a 50 pF capacitor on the SCL signal.

Default Configuration

CY7C65216 is configured as I²C slave device with default I²C slave 7-bit address as 0x30.

Memory

CY7C65216 has a 512-byte flash. Flash is used to store USB parameters, such as VID/PID, serial number, product and manufacturer descriptors, which can be programmed by the configuration utility.

System Resources

Power System

CY7C65216 supports the USB Suspend mode to control power usage. CY7C65216 operates in bus-powered or self-powered modes over a range of 3.15 to 5.5 V.

Clock System

CY7C65216 has a fully integrated clock with no external components required. The clock system is responsible for providing clocks to all subsystems.

Internal 48-MHz Oscillator

The internal 48-MHz oscillator is the primary source of internal clocking in CY7C65216.

Internal 32-kHz Oscillator

The internal 32-kHz oscillator is primarily used to generate clocks for peripheral operation in the USB Suspend mode.

Reset

The reset block ensures reliable power-on reset and brings the device back to the default known state. The nXRES (active low) pin can be used by the external devices to reset the CY7C65216.

Suspend and Resume

The CY7C65216 device asserts the SUSPEND pin when the USB bus enters the suspend state. This helps in meeting the stringent suspend current requirement of the USB 2.0 specification, while using the device in bus-powered mode. The device resumes from the suspend state under either of the two following conditions:

1. Any activity is detected on the USB bus
2. The WAKEUP pin is asserted to generate remote wakeup to the host

WAKEUP

The WAKEUP pin is used to generate the remote wakeup signal on the USB bus. The remote wakeup signal is sent only if the host enables this feature through the SET_FEATURE request. The device communicates support for the remote wakeup to the host through the configuration descriptor during the USB enumeration process. The CY7C65216 device allows enabling/disabling and polarity of the remote wakeup feature through the configuration utility.

Software

Cypress delivers a complete set of software drivers and a configuration utility to enable configuration of the product during system development.

Drivers for Linux Operating Systems

Cypress provides a User Mode USB driver library (*libcyusbserial.so*) that abstracts vendor commands for the I²C interface and provides a simplified API interface for user applications. This library uses the standard open-source libUSB library to enable USB communication. The Cypress serial library supports the USB plug-and-play feature using the Linux 'udev' mechanism.

CY7C65216 binds to Linux USB Inbox driver, which is part of Linux Kernel distribution.

Drivers for Mac OSx

Cypress delivers a dynamically linked shared library (*CyUSB-Serial.dylib*) based on libUSB, which enables communication to the CY7C65216 device.

In addition, CY7C65216 binds to Mac OSx native driver.

Drivers for Windows Operating Systems

For Windows operating systems (XP, Vista, Win7, Win 8, Win 8.1, and Windows 10), Cypress delivers a user-mode dynamically linked library-CyUSBSerial DLL-that abstracts a vendor-specific interface of the CY7C65216 devices and provides convenient APIs to the user. It provides interface APIs for vendor-specific I²C and class-specific APIs for PHDC.

USB-I²C Bridge Controller works with Cypress provided USB vendor class driver. The Cypress Windows drivers are MS logo certified drivers.

These drivers are bound to device through WU (Windows Update) services.

Cypress drivers also support Windows plug-and-play and power management and USB Remote Wake-up.

Device Configuration Utility (Windows only)

A Windows-based configuration utility is available to configure device initialization parameters. This graphical user application provides an interactive interface to define the boot parameters stored in the device flash.

This utility allows the user to save a user-selected configuration to text or xml formats. It also allows users to load a selected configuration from text or xml formats. The configuration utility allows the following operations:

- View current device configuration
- Select and configure I²C, battery charging, and GPIOs
- Configure USB VID, PID, and string descriptors
- Save or Load configuration

You can download the free configuration utility and drivers at www.cypress.com.

Internal Flash Configuration

The internal flash memory can be used to store the configuration parameters shown in the following table. A free configuration utility is provided to configure the parameters listed in the table to meet application-specific requirements over the USB interface. The configuration utility can be downloaded at www.cypress.com/usbserial.

Table 3. Internal Flash Configuration for CY7C65216

Parameter	Default Value	Description
USB Configuration		
USB Vendor ID (VID)	0x04B4	Default Cypress VID. Can be configured to customer VID.
USB Product ID (PID)	0x0004	Default Cypress PID. Can be configured to customer PID.
Manufacturer string	Cypress	Can be configured with any string up-to 64 characters
Product string	USB-Serial (Single Channel)	Can be configured with any string up-to 64 characters
Serial string	-	Can be configured with any string up-to 64 characters
Power mode	Bus powered	Can be configured to bus-powered or self-powered mode
Max current draw	100 mA	Can be configured to any value from 0 to 500 mA. The configuration descriptor will be updated based on this.
Remote wakeup	Enabled	Can be disabled. Remote wakeup is initiated by asserting the WAKEUP pin.
USB interface protocol	Vendor	Can be configured to function in CDC, PHDC, or Cypress vendor class
BCD	Disabled	Charger detect is disabled by default. When BCD is enabled, three of the GPIOs must be configured for BCD.

Electrical Specifications

Absolute Maximum Ratings

Exceeding maximum ratings^[1] may shorten the useful life of the device.

Storage temperature -55 °C to +100 °C

Ambient temperature with power supplied (Industrial) -40 °C to +85 °C

Supply voltage to ground potential

V_{DDD} 6.0 V

V_{BUS} 6.0 V

V_{CCD} 1.95 V

V_{GPIO} V_{DDD} + 0.5 V

Static discharge voltage ESD protection levels:

- 2.2-KV HBM per JESD22-A114

Latch-up current 140 mA

Current per GPIO 25 mA

Operating Conditions

T_A (ambient temperature under bias)

Industrial -40 °C to +85 °C

V_{BUS} supply voltage 3.15 V to 5.25 V

V_{DDD} supply voltage 1.71 V to 5.50 V

V_{CCD} supply voltage 1.71 V to 1.89 V

Device-Level Specifications

All specifications are valid for -40 °C ≤ T_A ≤ 85 °C, T_J ≤ 100 °C, and 1.71 V to 5.50 V, except where noted.

Table 4. DC Specifications

Parameter	Description	Min	Typ	Max	Units	Details/Conditions
V _{BUS}	V _{BUS} supply voltage	3.15	3.30	3.45	V	Set and configure the correct voltage range using a configuration utility for V _{BUS} . Default 5 V.
		4.35	5.00	5.25	V	
V _{DDD}	V _{DDD} supply voltage	1.71	1.80	1.89	V	Used to set I/O and core voltage. Set and configure the correct voltage range using a configuration utility for V _{DDD} . Default 3.3 V.
		2.0	3.3	5.5	V	
V _{CCD}	Output voltage (for core logic)	–	1.80	–	V	Do not use this supply to drive the external device. <ul style="list-style-type: none"> • 1.71 V ≤ V_{DDD} ≤ 1.89 V: Short the V_{CCD} pin with the V_{DDD} pin • V_{DDD} > 2 V – connect a 1-μF capacitor (C_{efc}) between the V_{CCD} pin and ground
C _{efc}	External regulator voltage bypass	1.00	1.30	1.60	μF	X5R ceramic or better
I _{DD1}	Operating supply current	–	20	–	mA	USB 2.0 FS, no GPIO switching
I _{DD2}	USB Suspend supply current	–	5	–	μA	Does not include current through a pull-up resistor on USBDP. In USB suspend mode, the D+ voltage can go up to a maximum of 3.8 V.

Table 5. AC Specifications

Parameter	Description	Min	Typ	Max	Units	Details/Conditions
Z _{out}	USB driver output impedance	28	–	44	Ω	–
T _{wakeup}	Wakeup from USB Suspend mode	–	25	–	μs	–

Note

1. Usage above the Absolute Maximum conditions may cause permanent damage to the device. Exposure to Absolute Maximum conditions for extended periods of time may affect device reliability. When used below Absolute Maximum conditions but above normal operating conditions, the device may not operate to specification.

GPIO
Table 6. GPIO DC Specifications

Parameter	Description	Min	Typ	Max	Units	Details/Conditions
$V_{IH}^{[2]}$	Input voltage high threshold	$0.7 \times V_{DD}$	–	–	V	CMOS Input
V_{IL}	Input voltage low threshold	–	–	$0.3 \times V_{DD}$	V	CMOS Input
$V_{IH}^{[2]}$	LVTTL input, $V_{DD} < 2.7$ V	$0.7 \times V_{DD}$	–	–	V	–
V_{IL}	LVTTL input, $V_{DD} < 2.7$ V	–	–	$0.3 \times V_{DD}$	V	–
$V_{IH}^{[2]}$	LVTTL input, $V_{DD} \geq 2.7$ V	2	–	–	V	–
V_{IL}	LVTTL input, $V_{DD} \geq 2.7$ V	–	–	0.8	V	–
V_{OH}	CMOS output voltage high level	$V_{DD} - 0.4$	–	–	V	$I_{OH} = 4$ mA, $V_{DD} = 5$ V +/- 10%
V_{OH}	CMOS output voltage high level	$V_{DD} - 0.6$	–	–	V	$I_{OH} = 4$ mA, $V_{DD} = 3.3$ V +/- 10%
V_{OH}	CMOS output voltage high level	$V_{DD} - 0.5$	–	–	V	$I_{OH} = 1$ mA, $V_{DD} = 1.8$ V +/- 5%
V_{OL}	CMOS output voltage low level	–	–	0.4	V	$I_{OL} = 8$ mA, $V_{DD} = 5$ V +/- 10%
V_{OL}	CMOS output voltage low level	–	–	0.6	V	$I_{OL} = 8$ mA, $V_{DD} = 3.3$ V +/- 10%
V_{OL}	CMOS output voltage low level	–	–	0.6	V	$I_{OL} = 4$ mA, $V_{DD} = 1.8$ V +/- 5%
Rpullup	Pull-up resistor	3.5	5.6	8.5	k Ω	–
Rpulldown	Pull-down resistor	3.5	5.6	8.5	k Ω	–
I_{IL}	Input leakage current (absolute value)	–	–	2	nA	25 °C, $V_{DD} = 3.0$ V
C_{IN}	Input capacitance	–	–	7	pF	–
Vhysttl	Input hysteresis LVTTL; $V_{DD} > 2.7$ V	25	40	C	mV	–
Vhyscmos	Input hysteresis CMOS	$0.05 \times V_{DD}$	–	–	mV	–

Note

 2. V_{IH} must not exceed $V_{DD} + 0.2$ V.

Table 7. GPIO AC Specifications

Parameter	Description	Min	Typ	Max	Units	Details/Conditions
$T_{RiseFast1}$	Rise Time in Fast mode	2	–	12	ns	$V_{DD} = 3.3$ V/ 5.5 V, Clod = 25 pF
$T_{FallFast1}$	Fall Time in Fast mode	2	–	12	ns	$V_{DD} = 3.3$ V/ 5.5 V, Clod = 25 pF
$T_{RiseSlow1}$	Rise Time in Slow mode	10	–	60	ns	$V_{DD} = 3.3$ V/ 5.5 V, Clod = 25 pF
$T_{FallSlow1}$	Fall Time in Slow mode	10	–	60	ns	$V_{DD} = 3.3$ V/ 5.5 V, Clod = 25 pF
$T_{RiseFast2}$	Rise Time in Fast mode	2	–	20	ns	$V_{DD} = 1.8$ V, Clod = 25 pF
$T_{FallFast2}$	Fall Time in Fast mode	20	–	100	ns	$V_{DD} = 1.8$ V, Clod = 25 pF
$T_{RiseSlow2}$	Rise Time in Slow mode	2	–	20	ns	$V_{DD} = 1.8$ V, Clod = 25 pF
$T_{FallSlow2}$	Fall Time in Slow mode	20	–	100	ns	$V_{DD} = 1.8$ V, Clod = 25 pF

nXRES
Table 8. nXRES DC Specifications

Parameter	Description	Min	Typ	Max	Units	Details/Conditions
V _{IH}	Input voltage high threshold	0.7 × V _{DDD}	–	–	V	–
V _{IL}	Input voltage low threshold	–	–	0.3 × V _{DDD}	V	–
R _{pullup}	Pull-up resistor	3.5	5.6	8.5	kΩ	–
C _{IN}	Input capacitance	–	5	–	pF	–
V _{hysxres}	Input voltage hysteresis	–	100	–	mV	–

Table 9. nXRES AC Specifications

Parameter	Description	Min	Typ	Max	Units	Details/Conditions
T _{resetwidth}	Reset pulse width	1	–	–	μs	–

I²C Specifications
Table 10. I²C Specifications

Parameter	Description	Min	Typ	Max	Units	Details/Conditions
F _{I2C}	I ² C frequency	1	–	400	kHz	–

Flash Memory Specifications
Table 11. Flash Memory Specifications

Parameter	Description	Min	Typ	Max	Units	Details/Conditions
F _{end}	Flash endurance	100K	–	–	cycles	–
F _{ret}	Flash retention. T _A ≤ 85 °C, 10 K program/erase cycles	10	–	–	years	–

Pin Description

Pin ^[3]	Type	Name	Default	Description
1	GPIO	GPIO_6	GPIO IN	GPIO Input Pin (see Table 12 and Table 13)
2	GPIO	GPIO_7	GPIO OUT	GPIO Output Pin (see Table 12 and Table 13)
3	Power	VSSD		Digital Ground
4	GPIO	GPIO_8	GPIO OUT	GPIO Output Pin (see Table 12 and Table 13)
5	GPIO	GPIO_9	GPIO OUT	GPIO Output Pin (see Table 12 and Table 13)
6	GPIO	GPIO_10	GPIO OUT	GPIO Output Pin (see Table 12 and Table 13)
7	Output	POWER#		Signal to external logic to indicate USB Unconfigured state and USB Suspend
8	Output	Suspend		Indicates device in suspend mode. Can be configured as active low/high using the configuration utility.
9	Input	Wakeup		Wakeup device from suspend mode. Can be configured as active low/high using the configuration utility.
10	USBIO	USBDP		USB Data Signal Plus, integrates termination resistor and a 1.5-kΩ pull-up resistor
11	USBIO	USBDM		USB Data Signal Minus, integrates termination resistor
12	Power	VCCD		This pin should be decoupled to ground using a 1-μF capacitor or by connecting a 1.8-V supply (Internal LDO Output)
13	Power	VSSD		Digital Ground
14	Reset	nXRES		Chip Reset active, low. Can be left unconnected or have a pull up resistor connected when not in use.
15	Power	VBUS		VBUS Supply, 3.15 V to 5.25 V
16	Power	VSSD		Digital Ground
17	Power	VSSA		Analog Ground
18	GPIO	Rx/Tx LED		Notification LED I ² C Tx/Rx
19	GPIO	GPIO_1	GPIO IN	GPIO Input Pin (see Table 12 and Table 13)
20	GPIO	GPIO_2	GPIO IN	GPIO Input Pin (see Table 12 and Table 13)
21	SCB/GPIO	SCL		I ² C Clock
22	SCB/GPIO	SDA		I ² C Data
23	GPIO	GPIO_5	GPIO IN	GPIO Input Pin (see Table 12 and Table 13)
24	Power	VDDD		VDDD Core

Note

- Any pin acting as an Input pin should not be left unconnected.

Figure 2. 24-pin QFN Pinout

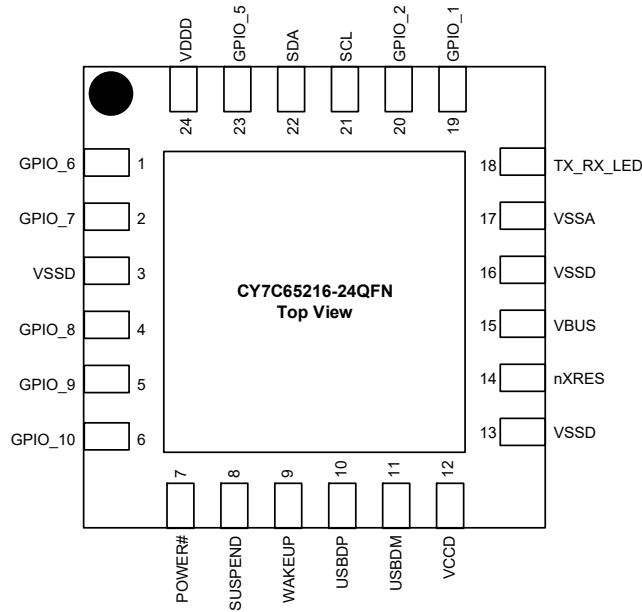


Table 12. Serial Communication Block Configurations

Pin	Serial Port	Mode 0 ^[4]	Mode 1
		I ² C Slave	I ² C Master
1	SCB_0	GPIO_6	GPIO_6
20	SCB_1	GPIO_2	GPIO_2
21	SCB_2	SCL_IN	SCL_OUT
22	SCB_3	SDA	SDA
23	SCB_4	GPIO_5	GPIO_5
2	SCB_5	GPIO_7	GPIO_7

Note

4. The device is configured in Mode 0 as the default. Other modes can be configured using the configuration utility provided by Cypress.

Legend

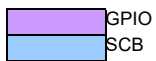


Table 13. GPIO Configurations^[5]

GPIO Configuration Option	Description
TRISTATE	I/O tristated
DRIVE 1	Output static 1
DRIVE 0	Output static 0
POWER#	This output is used to control power to an external logic through a switch to cut power off during an unconfigured USB device and USB suspend. 0 - USB device in Configured state 1 - USB device in Unconfigured state or during USB suspend mode
TXLED#	Drives LED during USB transmit
RXLED#	Drives LED during USB receive
TX or RX LED#	Drives LED during USB transmit or receive
BCD0 BCD1	Configurable battery charger detect pins to indicate the type of USB charger (SDP, CDP, or DCP) Configuration example: 00 - Draw up to 100 mA (unconfigured state) 01 - SDP (up to 500 mA) 10 - CDP/DCP (up to 1.5 A) 11 - Suspend (up to 2.5 mA) This truth table can be configured using a configuration utility
BUSDETECT	VBUS detection. Connect the VBUS to this pin through a resistor network for VBUS detection when using the BCD feature (refer to Figure 8 , Figure 9 , and Figure 10).

Note

5. These signal options can be configured on any of the available GPIO pins using the configuration utility provided by Cypress.

USB Power Configurations

The following section describes possible USB power configurations for the CY7C65216. Refer to the [Pin Description on page 13](#) for signal details.

USB Bus-Powered Configuration

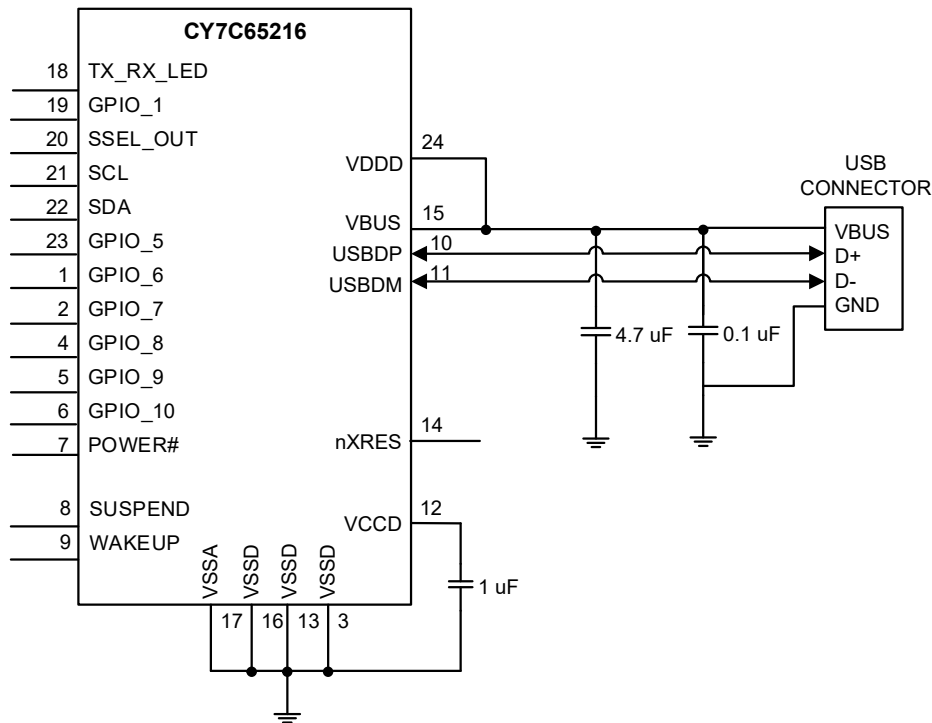
Figure 3 shows an example of the CY7C65216 in a bus-powered design. The VBUS is connected directly to the CY7C65216 because it has an internal regulator.

The USB bus-powered system must comply with the following requirements:

1. The system should not draw more than 100 mA prior to USB enumeration (Unconfigured state).
2. The system should not draw more than 2.5 mA during the USB Suspend mode.
3. A high-power bus-powered system (can draw more than 100 mA when operational) must use POWER# (configured over GPIO) to keep the current consumption below 100 mA prior to USB enumeration, and 2.5 mA during USB Suspend state.
4. The system should not draw more than 500 mA from the USB host.

The configuration descriptor in the CY7C65216 flash should be updated to indicate bus power and the maximum current required by the system using the configuration utility.

Figure 3. Bus-Powered Configuration



Self-Powered Configuration

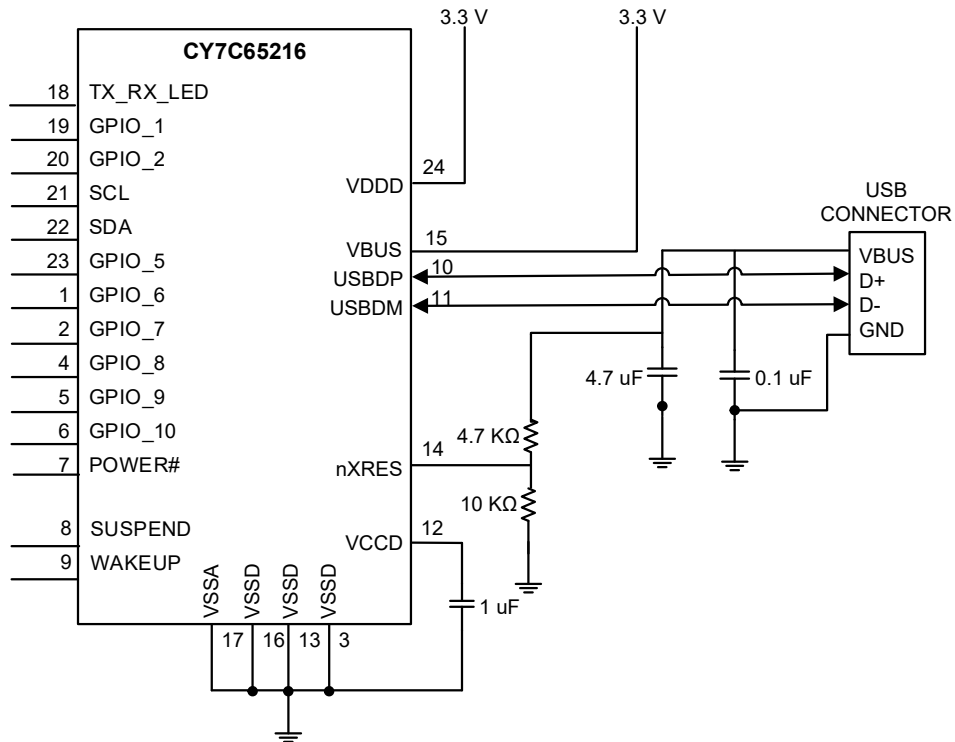
Figure 4 shows an example of CY7C65216 in a self-powered design. A self-powered system does not use the VBUS from the host to power the system, but it has its own power supply. A self-powered system has no restriction on current consumption because it does not draw any current from the VBUS.

When the VBUS is present, CY7C65216 enables an internal, 1.5-kΩ pull-up resistor on USBDP. When the VBUS is absent (USB host is powered down), CY7C65216 removes the 1.5-kΩ pull-up resistor on USBDP. This ensures that no current flows from the USBDP to the USB host through a 1.5-kΩ pull-up resistor, to comply with the USB 2.0 specification.

When reset is asserted to CY7C65216, all the I/O pins are tristated.

The configuration descriptor in the CY7C65216 flash should be updated to indicate self-power using the configuration utility.

Figure 4. Self-Powered Configuration



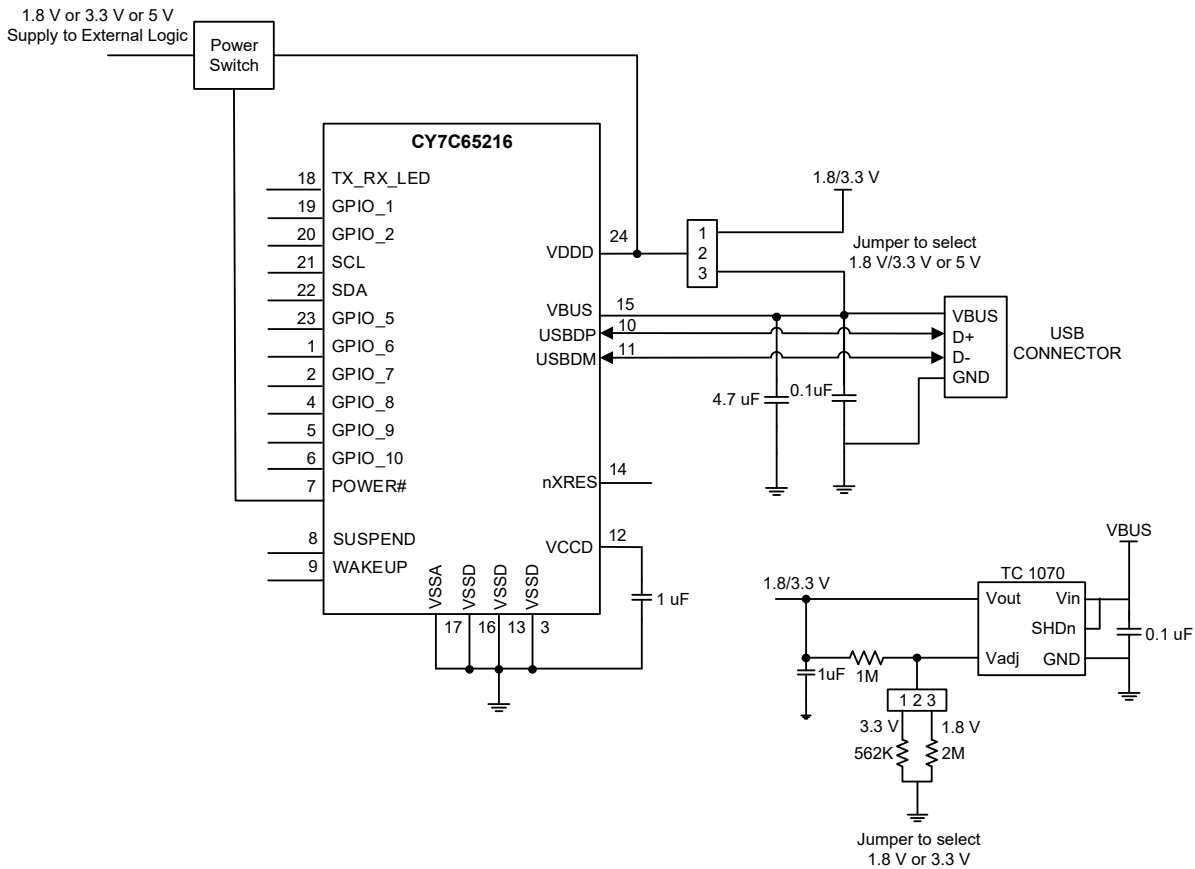
USB Bus-Powered with Variable I/O Voltage

Figure 5 shows CY7C65216 in a bus-powered system with variable I/O voltage. A low dropout (LDO) regulator is used to supply 1.8 V or 3.3 V, using a jumper switch the input of which is 5 V from the VBUS. Another jumper switch is used to select 1.8/3.3 V or 5 V from the VBUS for the VDDD pin of CY7C65216. This allows I/O voltage and supply to external logic to be selected among 1.8 V, 3.3 V, or 5 V.

The USB bus-powered system must comply with the following conditions:

- The system should not draw more than 100 mA prior to USB enumeration (unconfigured state)
- The system should not draw more than 2.5 mA during USB Suspend mode
- A high-power bus-powered system (can draw more than 100 mA when operational) must use POWER# (configured over GPIO) to keep the current consumption below 100 mA prior to USB enumeration and 2.5 mA during the USB Suspend state

Figure 5. USB Bus-Powered with 1.8-V, 3.3-V, or 5-V Variable I/O Voltage^[6]



Note

6. $1.71\text{ V} \leq V_{DDD} \leq 1.89\text{ V}$ - Short VCCD pin with VDDD pin; $V_{DDD} > 2\text{ V}$ - connect a 1- μF decoupling capacitor to the VCCD pin.

Application Examples

The following section provides CY7C65216 application examples.

USB to I²C Bridge

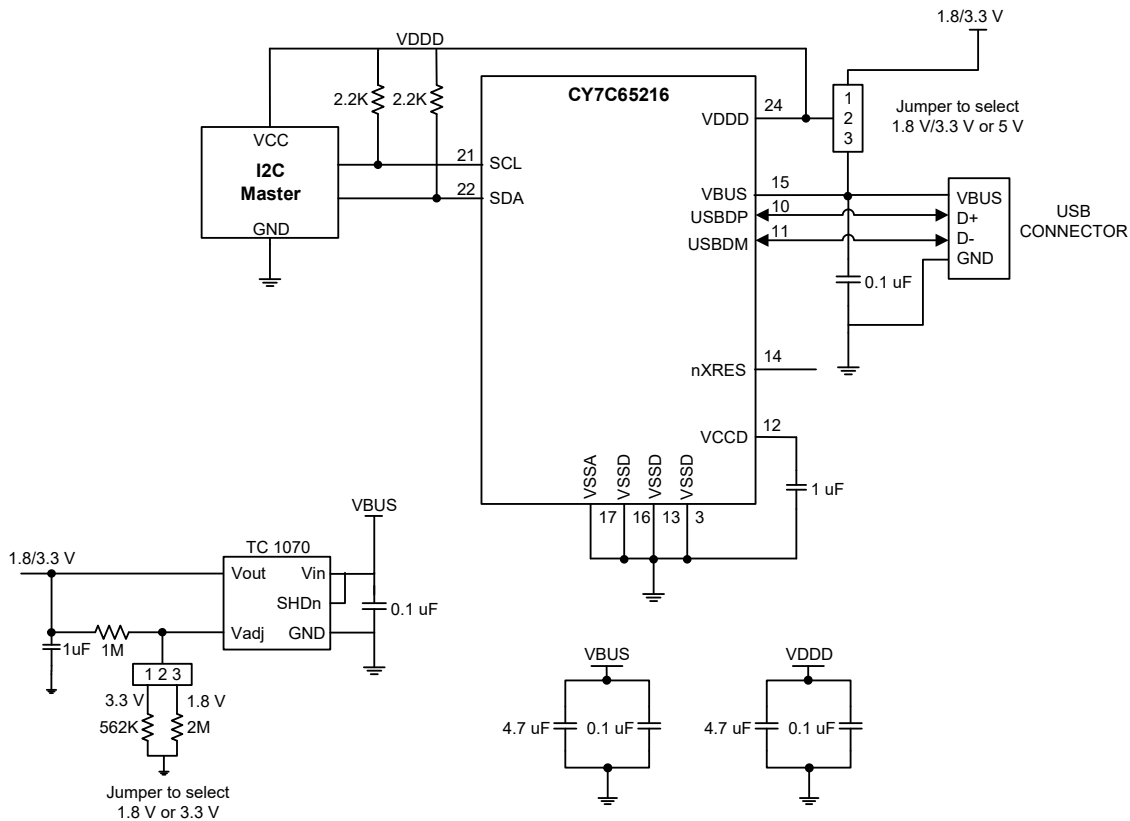
In Figure 6, CY7C65216 is configured as a USB to I²C Bridge. The CY7C65216 I²C can be configured as a master or a slave using the configuration utility. CY7C65216 supports I²C data rates up to 100 kbps in the standard mode (SM) and 400 kbps in the fast mode (FM).

In the master mode, SCL is output from CY7C65216. In the slave mode, SCL is input to CY7C65216. The I²C slave address for CY7C65216 can be configured using the configuration utility. The SDA data line is bi-directional in the master/slave modes. The drive modes of the SCL and SDA port pins are always open drain.

GPIO8 and GPIO9 are configured as RXLED# and TXLED# to drive two LEDs to indicate USB receive and transmit.

Refer to the NXP I²C specification for further details on the protocol.

Figure 6. USB to I²C Bridge



Battery-Operated, Bus-Powered USB to MCU with Battery Charge Detection

Figure 7 illustrates CY7C65216 as a USB-to-microcontroller interface. The TXD and RXD lines are used for data transfer, and the RTS# and CTS# lines are used for handshaking. The SUSPEND pin indicates to the MCU if the device is in USB Suspend, and the WAKEUP pin is used to wake up CY7C65216, which in turn issues a remote wakeup to the USB host.

This application illustrates a battery-operated system, which is bus-powered. CY7C65216 implements the battery charger detection functionality based on the USB Battery Charging Specification, Rev. 1.2.

Battery-operated bus power systems must comply with the following conditions:

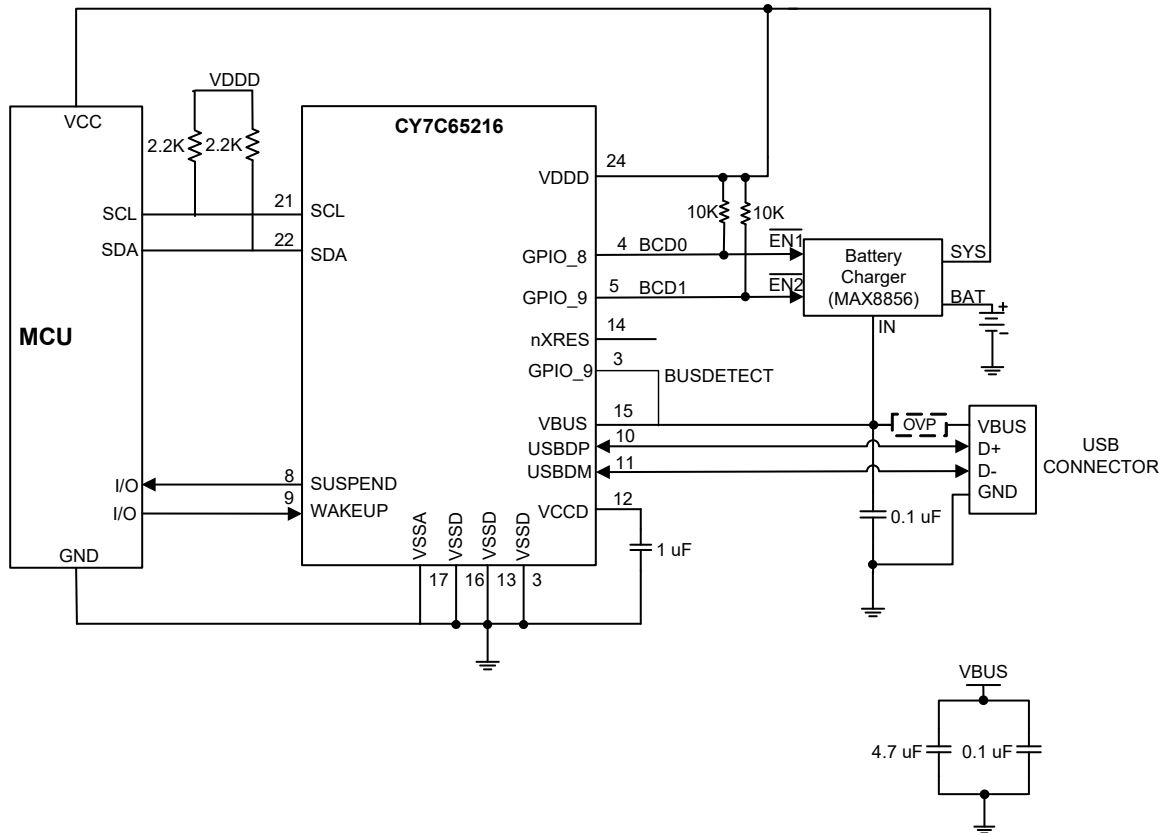
- The system can be powered from the battery (if not discharged) and can be operational if the VBUS is not connected or powered down.
- The system should not draw more than 100 mA from the VBUS prior to USB enumeration and USB Suspend.
- The system should not draw more than 500 mA for SDP and 1.5 A for CDP/DCP

To comply with the first requirement, the VBUS from the USB host is connected to the battery charger as well as to CY7C65216, as shown in Figure 7. When the VBUS is connected, CY7C65216 initiates battery charger detection and indicates the type of USB charger over BCD0 and BCD1. If the USB charger is SDP or CDP, CY7C65216 enables a 1.5-kΩ pull-up resistor on the USBDP for Full-Speed enumeration. When the VBUS is disconnected, CY7C65216 indicates an absence of the USB charger over BCD0 and BCD1, and removes the 1.5-kΩ pull-up resistor on USBDP.

Removing this resistor ensures that no current flows from the supply to the USB host through the USBDP, to comply with the USB 2.0 specification.

To comply with the second and third requirements, two signals (BCD0 and BCD1) are configured over GPIO to communicate the type of USB host charger and the amount of current it can draw from the battery charger. BCD0 and BCD1 signals can be configured using the configuration utility.

Figure 7. USB to MCU Interface with Battery Charge Detection^[7, 8, 9]

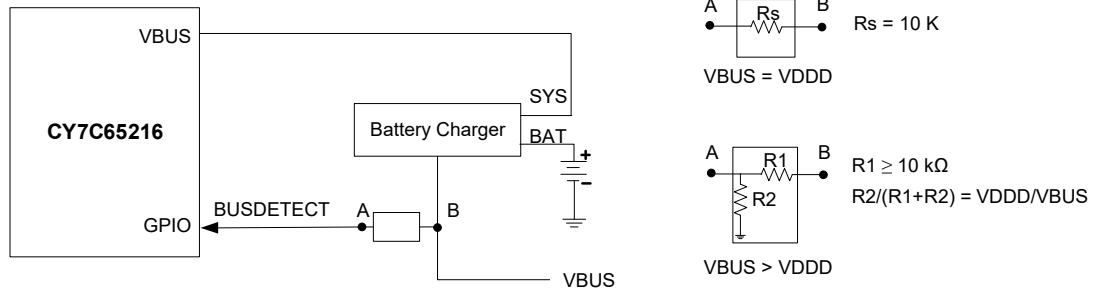


Notes

7. Add a 100-kΩ pull-down resistor on the V_{BUS} pin for quick discharge.
8. Refer Figure 8, Figure 9, Figure 10 and the corresponding descriptions for handling VBUS Over Voltage Protection (OVP).
9. BCD and BUSDETECT functionality are not enabled by default. USB-Serial Configuration Utility is provided to enable BCD and BUSDETECT functionality.

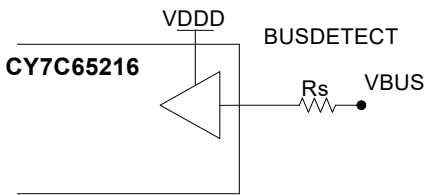
In a battery charger system, a 9-V spike on the VBUS is possible. The CY7C65216 VBUS pin is intolerant to voltage above 6 V. In the absence of over-voltage protection (OVP) on the VBUS line, the VBUS should be connected to BUSDETECT (GPIO configured) using the resistive network and the output of the battery charger to the VBUS pin of CY7C65216, as shown in Figure 8.

Figure 8. 9 V Tolerant



When the VBUS and VDDD are at the same voltage potential, the VBUS can be connected to the GPIO using a series resistor (R_s) (see Figure 9). If there is a charger failure and the VBUS becomes 9 V, then the 10-k Ω resistor plays two roles. It reduces the amount of current flowing into the forward-biased diodes in the GPIO, and it reduces the voltage seen on the pad.

Figure 9. GPIO VBUS Detection, VBUS = VDDD



When the VBUS > VDDD, a resistor voltage divider is required to reduce the voltage from the VBUS down to VDDD for the GPIO sensing the VBUS voltage (see Figure 10).

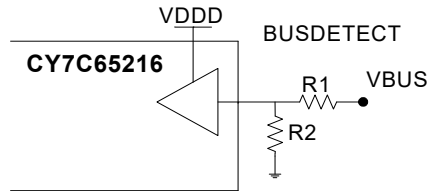
The resistors should be sized as follows:

$$R_1 \geq 10 \text{ k}$$

$$R_2 / (R_1 + R_2) = V_{DDD} / V_{BUS}$$

The first condition limits the voltage and current for the charger failure situation, as described in the previous paragraph, while the second condition allows for normal-operation VBUS detection.

Figure 10. GPIO VBUS detection, VBUS > VDDD



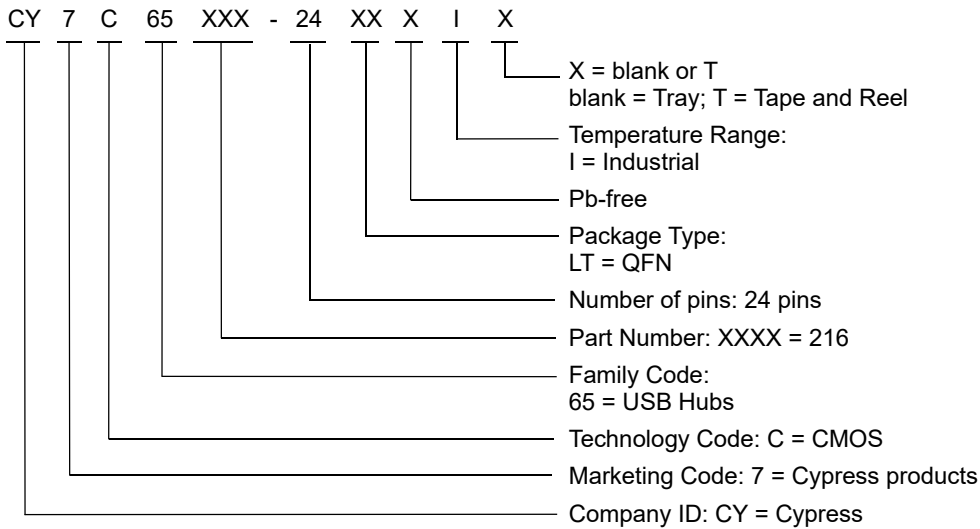
Ordering Information

Table 14 lists the key package features and ordering codes of the CY7C65216. For more information, contact your local sales representative.

Table 14. Key Features and Ordering Information

Package	Ordering Code	Operating Range
24-pin QFN (4.00 × 4.00 × 0.55 mm, 0.5 mm pitch) (Pb-free)	CY7C65216-24LTXI	Industrial
24-pin QFN (4.00 × 4.00 × 0.55 mm, 0.5 mm pitch) (Pb-free) – Tape and Reel	CY7C65216-24LTXIT	Industrial

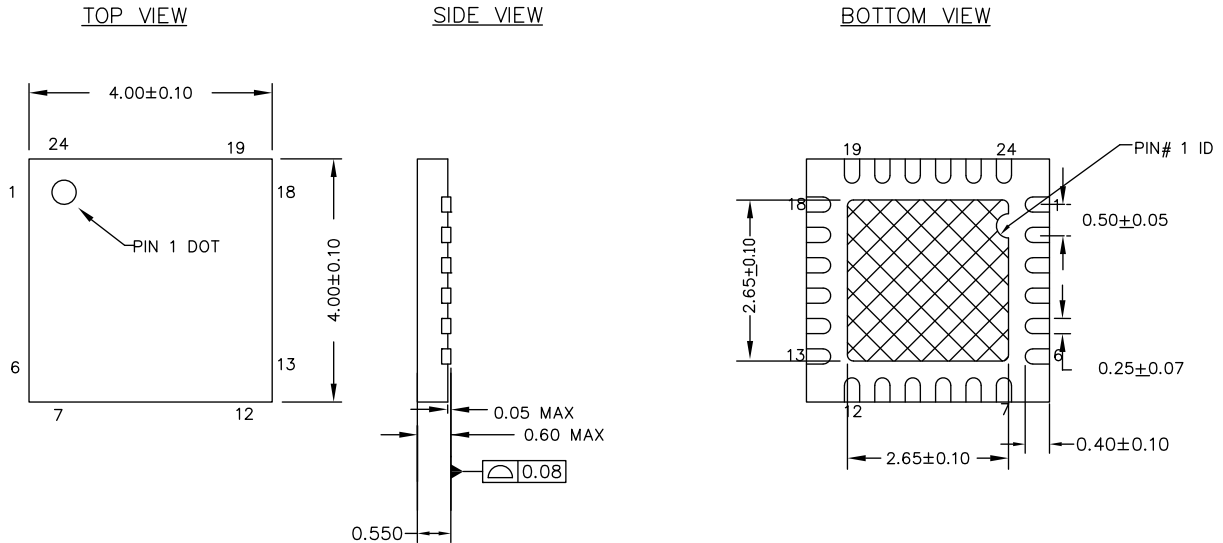
Ordering Code Definitions



Package Information

Support currently is planned for the 24-pin QFN package.

Figure 11. 24-pin QFN 4 mm × 4 mm × 0.55 mm LQ24A 2.65 × 2.65 EPAD (Sawn)



NOTES :

1. HATCH IS SOLDERABLE EXPOSED METAL.
2. REFERENCE JEDEC # MO-248
3. PACKAGE WEIGHT : 29 ± 3 mg
4. ALL DIMENSIONS ARE IN MILLIMETERS

001-13937 *H

Table 15. Package Characteristics

Parameter	Description	Min	Typ	Max	Units
T _A	Operating ambient temperature	-40	25	85	°C
THJ	Package θ _{JA}	–	18.4	–	°C/W

Table 16. Solder Reflow Peak Temperature

Package	Maximum Peak Temperature	Maximum Time at Peak Temperature
24-pin QFN	260 °C	30 seconds

Table 17. Package Moisture Sensitivity Level (MSL), IPC/JEDEC J-STD-2

Package	MSL
24-pin QFN	MSL 3

Acronyms

Table 18. Acronyms Used in this Document

Acronym	Description
BCD	battery charger detection
CDC	communication driver class
CDP	charging downstream port
DCP	dedicated charging port
DLL	dynamic link library
ESD	electrostatic discharge
GPIO	general purpose input/output
HBM	human-body model
I ² C	inter-integrated circuit
MCU	microcontroller unit
OSC	oscillator
PHDC	personal health care device class
PID	product identification
SCB	serial communication block
SCL	I ² C serial clock
SDA	I ² C serial data
SDP	standard downstream port
SIE	serial interface engine
VCOM	virtual communication port
USB	Universal Serial Bus
VID	vendor identification

Document Conventions

Units of Measure

Table 19. Units of Measure

Symbol	Unit of Measure
°C	degree Celsius
DMIPS	Dhrystone million instructions per second
kΩ	kilo-ohm
KB	kilobyte
kHz	kilohertz
kV	kilovolt
Mbps	megabits per second
MHz	megahertz
mm	millimeter
V	volt

Errata

This section describes the errata for the CY7C65216 USB-Serial family. Details include errata trigger conditions, scope of impact, and available workaround.

Contact your local Cypress Sales Representative if you have questions.

Part Numbers Affected

Part Number	Device Characteristics
CY7C65216	All Variants

Qualification Status

Production

Errata Summary

The following table defines the errata applicability to available USB-Serial devices.

Items	Affected Part Number	Fix Status
[1.] I2C Reads are slower when USB-Serial is configured as I2C Master.	CY7C65216	No Fix

1. I ² C Reads are slower when USB-Serial is configured as I ² C Master.	
Problem Definition	I ² C reads done by USB-Serial configured as I ² C Master are observed to be slower. This is because of significant delay between the I ² C read initiation and the reception of data from the I ² C Slave.
<p>The diagram illustrates the I²C protocol sequence. On the left, 'READ INITIATION' shows a START signal, followed by the Device (Slave) Address (7 bits: A6-A0), a zero bit, and the Register Address N (8 bits: B7-B0), ending with an ACK signal. The R/W bit is 0. A significant 'DELAY' is indicated between this and the next part. On the right, 'DATA RETURNED FROM THE SLAVE' shows a Repeated START signal, followed by the Device (Slave) Address (7 bits: A6-A0), a one bit, and the Data Byte From Register N (8 bits: D7-D0), ending with a NACK signal and a STOP signal. The R/W bit is 1.</p>	
Parameters Affected	NA
Trigger Condition(s)	No specific trigger condition. The delay is observed between every I ² C Read initiation from the master and reception of slave data.
Scope of Impact	I ² C read operations from the master are slower.
Workaround	KBA227320 mentions the steps needed to be taken for reducing this delay.
Fix Status	No fix. Workaround is proven.

Document History Page

Document Title: CY7C65216, USB-I ² C Single Channel Bridge Controller			
Document Number: 002-31602			
Revision	ECN	Submission Date	Description of Change
**	7021631	11/26/2020	Final datasheet to NSO.