



### General Description

PSoC<sup>®</sup> 4 is a scalable and reconfigurable platform architecture for a family of programmable embedded system controllers with an Arm<sup>®</sup> Cortex<sup>®</sup>-M0 CPU, while being AEC-Q100 compliant. It combines programmable and reconfigurable analog and digital blocks with flexible automatic routing. The PSoC 4200M product family, based on this platform architecture, is a combination of a microcontroller with digital programmable logic, programmable analog, programmable interconnect, high-performance analog-to-digital conversion, opamps with comparator mode, and standard communication and timing peripherals. The PSoC 4200M products will be fully compatible with members of the PSoC 4 platform for new applications and design needs. The programmable analog and digital subsystems allow flexibility and in-field tuning of the design.

### Features

#### 32-bit MCU Subsystem

- Automotive Electronics Council (AEC) AEC-Q100 qualified
- 48 MHz Arm Cortex-M0 CPU with single-cycle multiply
- Up to 128 kB of flash with Read Accelerator
- Up to 16 kB of SRAM
- DMA engine

#### Programmable Analog

- Four opamps that operate in Deep Sleep mode at very low current levels
- All opamps have reconfigurable high current pin-drive, high-bandwidth internal drive, ADC input buffering, and Comparator modes with flexible connectivity allowing input connections to any pin
- Four current DACs (IDACs) for general-purpose or capacitive sensing applications on any pin
- Two low-power comparators that operate in Deep Sleep mode
- 12-bit SAR ADC with 1-Msps conversion rate

#### Programmable Digital

- Four programmable logic blocks, each with 8 Macrocells and an 8-bit data path (called universal digital blocks or UDBs)
- Cypress-provided peripheral component library, user-defined state machines, and Verilog input

#### Low Power 1.71 to 5.5 V Operation

- 20-nA Stop Mode with GPIO pin wakeup
- Hibernate and Deep Sleep modes allow wakeup-time versus power trade-offs

#### Capacitive Sensing

- Cypress Capacitive Sigma-Delta (CSD) technique provides best-in-class SNR (>5:1) and water tolerance
- Cypress-supplied software component makes capacitive sensing design easy
- Automatic hardware tuning (SmartSense™)

#### Segment LCD Drive

- LCD drive supported on all pins (common or segment)
- Operates in Deep Sleep mode with 4 bits per pin memory

#### Serial Communication

- Four independent run-time reconfigurable serial communication blocks (SCBs) with reconfigurable I<sup>2</sup>C, SPI, UART, or LIN Slave functionality
- Two independent CAN blocks for automotive networking

#### Timing and Pulse-Width Modulation

- Eight 16-bit timer/counter pulse-width modulator (TCPWM) blocks
- Center-aligned, Edge, and Pseudo-random modes
- Comparator-based triggering of Kill signals for motor drive and other high-reliability digital logic applications

#### Package Options

- 48-pin, 64-pin TQFP, and 56-QFN packages
- Up to 51 programmable GPIOs
- GPIO pins can be CapSense, LCD, analog, or digital
- Drive modes, strengths, and slew rates are programmable

#### Temperature Range

- Grade-A: -40 °C to +85 °C
- Grade-S: -40 °C to +105 °C

#### PSoC Creator Design Environment

- Integrated Development Environment (IDE) provides schematic design entry and build (with analog and digital automatic routing)
- Applications Programming Interface (API component) for all fixed-function and programmable peripherals

#### Industry-Standard Tool Compatibility

- After schematic entry, development can be done with ARM-based industry-standard development tools

## More Information

Cypress provides a wealth of data at [www.cypress.com](http://www.cypress.com) to help you to select the right PSoC device for your design, and to help you to quickly and effectively integrate the device into your design. For a comprehensive list of resources, see the knowledge base article [KBA86521, How to Design with PSoC 3, PSoC 4, and PSoC 5LP](#). Following is an abbreviated list for PSoC 4:

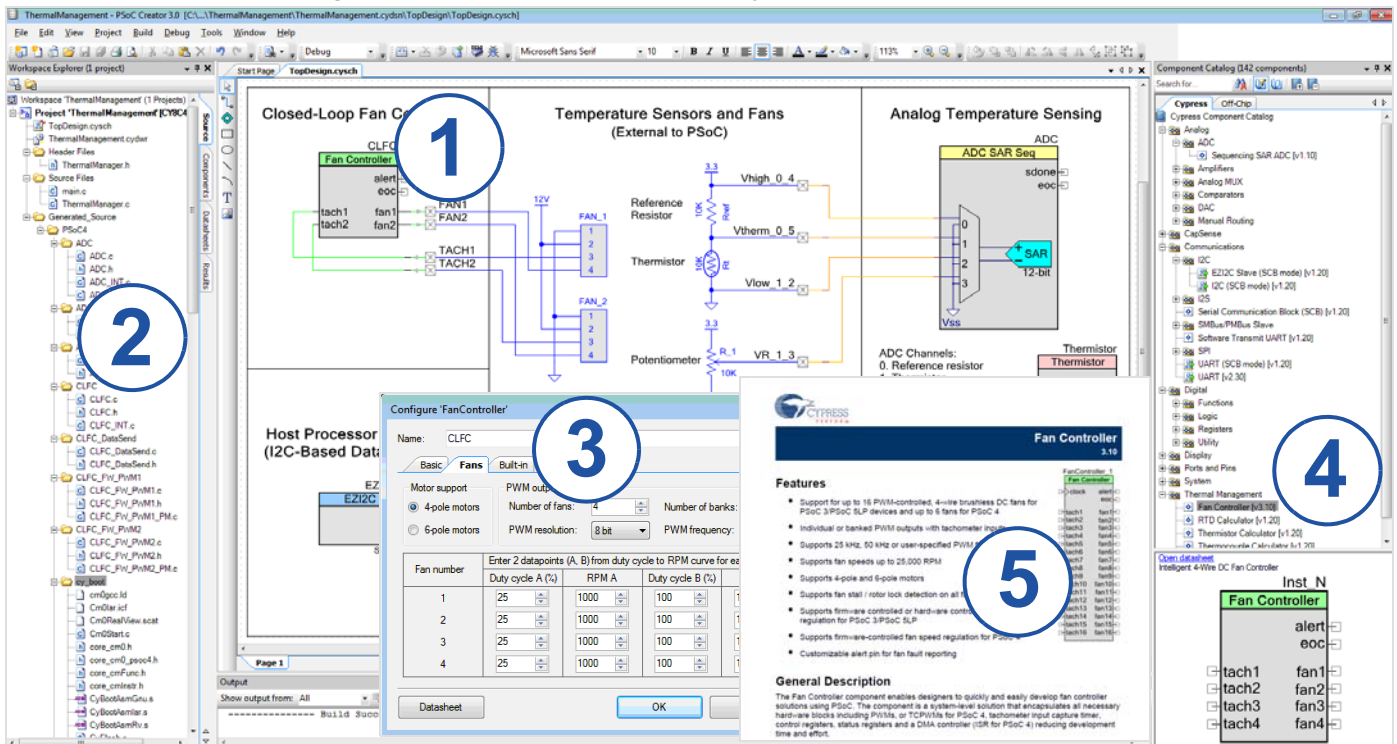
- Overview: [PSoC Portfolio](#), [PSoC Roadmap](#)
  - Product Selectors: [PSoC 1](#), [PSoC 3](#), [PSoC 4](#), [PSoC 5LP](#)  
In addition, PSoC Creator includes a device selection tool.
  - Application notes: Cypress offers a large number of PSoC application notes covering a broad range of topics, from basic to advanced level. Recommended application notes for getting started with PSoC 4 are:
    - [AN79953: Getting Started With PSoC 4](#)
    - [AN88619: PSoC 4 Hardware Design Considerations](#)
    - [AN86439: Using PSoC 4 GPIO Pins](#)
    - [AN57821: Mixed Signal Circuit Board Layout](#)
    - [AN81623: Digital Design Best Practices](#)
    - [AN73854: Introduction To Bootloaders](#)
    - [AN89610: ARM Cortex Code Optimization](#)
  - Technical Reference Manual (TRM) is in two documents:
    - [Architecture TRM](#) details each PSoC 4 functional block.
    - [Registers TRM](#) describes each of the PSoC 4 registers.
  - Development Kits:
    - [CY8CKIT-042](#), PSoC 4 Pioneer Kit, is an easy-to-use and inexpensive development platform. This kit includes connectors for Arduino™ compatible shields and Digilent® Pmod™ daughter cards.
    - [CY8CKIT-049](#) is a very low-cost prototyping platform. It is a low-cost alternative to sampling PSoC 4 devices.
    - [CY8CKIT-001](#) is a common development platform for any one of the PSoC 1, PSoC 3, PSoC 4, or PSoC 5LP families of devices.
- The [MiniProg3](#) device provides an interface for flash programming and debug.

## PSoC Creator

[PSoC Creator](#) is a free Windows-based Integrated Design Environment (IDE). It enables concurrent hardware and firmware design of PSoC 3, PSoC 4, and PSoC 5LP based systems. Create designs using classic, familiar schematic capture supported by over 100 pre-verified, production-ready PSoC Components; see the [list of component datasheets](#). With PSoC Creator, you can:

1. Drag and drop component icons to build your hardware system design in the main design workspace
2. Codesign your application firmware with the PSoC hardware, using the PSoC Creator IDE C compiler
3. Configure components using the configuration tools
4. Explore the library of 100+ components
5. Review component datasheets

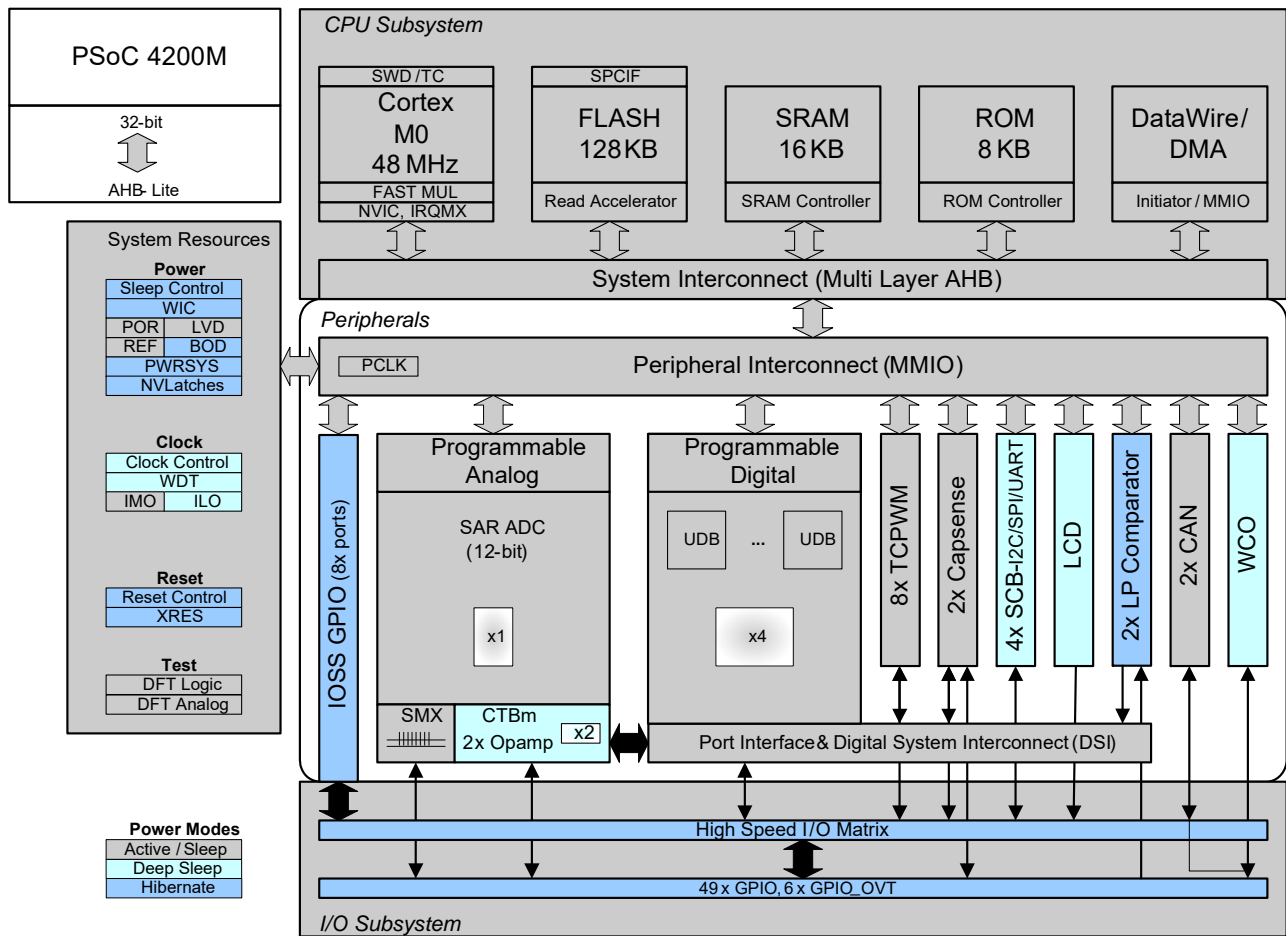
**Figure 1. Multiple-Sensor Example Project in PSoC Creator Contents**



## Contents

|  |           |  |           |
|--|-----------|--|-----------|
| <b>PSoC 4200M Block Diagram</b> .....  | <b>4</b>  | Device Level Specifications .....                    | 16        |
| <b>Functional Definition</b> .....     | <b>5</b>  | Analog Peripherals .....                             | 20        |
| CPU and Memory Subsystem .....         | 5         | Digital Peripherals .....                            | 25        |
| System Resources .....                 | 5         | Memory .....   | 27        |
| Analog Blocks .....                    | 6         | System Resources .....                               | 28        |
| Programmable Digital .....             | 7         | <b>Ordering Information</b> .....                    | <b>33</b> |
| Fixed Function Digital .....           | 8         | Ordering Code Definitions .....                      | 34        |
| GPIO .....                             | 9         | <b>Packaging</b> .....                               | <b>35</b> |
| Special Function Peripherals .....     | 9         | <b>Acronyms</b> .....                                | <b>38</b> |
| <b>Pinouts</b> .....                   | <b>10</b> | <b>Document Conventions</b> .....                    | <b>40</b> |
| <b>Power</b> .....                     | <b>14</b> | Units of Measure .....                               | 40        |
| Unregulated External Supply .....      | 14        | <b>Revision History</b> .....                        | <b>41</b> |
| Regulated External Supply .....        | 14        | <b>Sales, Solutions, and Legal Information</b> ..... | <b>42</b> |
| <b>Development Support</b> .....       | <b>15</b> | Worldwide Sales and Design Support .....             | 42        |
| Documentation .....                    | 15        | Products .....                                       | 42        |
| Online .....                           | 15        | PSoC <sup>®</sup> Solutions .....                    | 42        |
| Tools .....                            | 15        | Cypress Developer Community .....                    | 42        |
| <b>Electrical Specifications</b> ..... | <b>16</b> | Technical Support .....                              | 42        |
| Absolute Maximum Ratings .....         | 16        |  |           |

## PSoC 4200M Block Diagram



The PSoC 4200-M devices include extensive support for programming, testing, debugging, and tracing both hardware and firmware.

The ARM Serial Wire Debug (SWD) interface supports all programming and debug features of the device.

Complete debug-on-chip functionality enables full-device debugging in the final system using the standard production device. It does not require special interfaces, debugging pods, simulators, or emulators. Only the standard programming connections are required to fully support debug.

The PSoC Creator Integrated Development Environment (IDE) provides fully integrated programming and debug support for PSoC 4200-M devices. The SWD interface is fully compatible with industry-standard third-party tools. The PSoC 4200-M family provides a level of security not possible with multi-chip application solutions or with microcontrollers. This is due to its ability to disable debug features, robust flash protection, and because it allows customer-proprietary functionality to be implemented in on-chip programmable blocks.

The debug circuits are enabled by default and can only be disabled in firmware. If not enabled, the only way to re-enable them is to erase the entire device, clear flash protection, and reprogram the device with new firmware that enables debugging.

Additionally, all device interfaces can be permanently disabled (device security) for applications concerned about phishing attacks due to a maliciously reprogrammed device or attempts to defeat security by starting and interrupting flash programming sequences. Because all programming, debug, and test interfaces are disabled when maximum device security is enabled, PSoC 4200-M with device security enabled may not be returned for failure analysis. This is a trade-off the PSoC 4200-M allows the customer to make.

## Functional Definition

### CPU and Memory Subsystem

#### CPU

The Cortex-M0 CPU in the PSoC 4200-M is part of the 32-bit MCU subsystem, which is optimized for low-power operation with extensive clock gating. Most instructions are 16 bits in length and execute a subset of the Thumb-2 instruction set. The Cypress implementation includes a hardware multiplier that provides a 32-bit result in one cycle. It includes a nested vectored interrupt controller (NVIC) block with 32 interrupt inputs and also includes a Wakeup Interrupt Controller (WIC), which can wake the processor up from the Deep Sleep mode allowing power to be switched off to the main processor when the chip is in the Deep Sleep mode. The Cortex-M0 CPU provides a Non-Maskable Interrupt (NMI) input, which is made available to the user when it is not in use for system functions requested by the user.

The CPU also includes a debug interface, the serial wire debug (SWD) interface, which is a 2-wire form of JTAG; the debug configuration used for PSoC 4200-M has four break-point (address) comparators and two watchpoint (data) comparators.

#### Flash

The PSoC 4200-M has a flash module with a flash accelerator, tightly coupled to the CPU to improve average access times from the flash block. The flash accelerator delivers 85% of single-cycle SRAM access performance on average. Part of the flash module can be used to emulate EEPROM operation if required.

#### SRAM

SRAM memory is retained during Hibernate.

#### SROM

A supervisory ROM that contains boot and configuration routines is provided.

#### DMA

A DMA engine, with eight channels, is provided that can do 32-bit transfers and has chainable ping-pong descriptors.

## System Resources

#### Power System

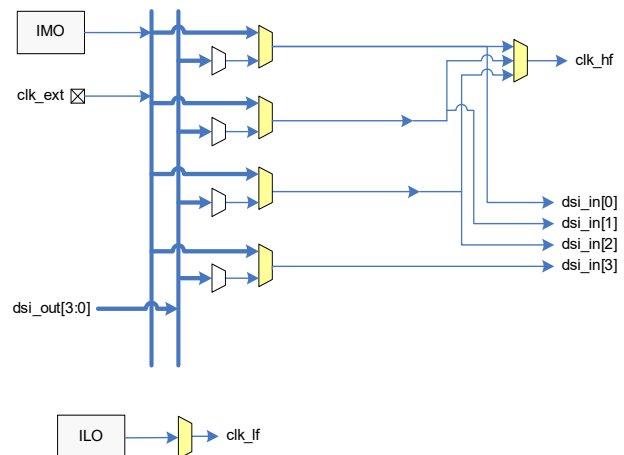
The power system is described in detail in the section [Power on page 14](#). It provides assurance that voltage levels are as required for each respective mode and either delay mode entry (on power-on reset (POR), for example) until voltage levels are as required for proper function or generate resets (brown-out detect (BOD)) or interrupts (low voltage detect (LVD)). The PSoC 4200M operates with a single external supply over the range of 1.71 to 5.5 V and has five different power modes, transitions between which are managed by the power system. The PSoC 4200M provides Sleep, Deep Sleep, Hibernate, and Stop low-power modes.

#### Clock System

The PSoC 4200-M clock system is responsible for providing clocks to all subsystems that require clocks and for switching between different clock sources without glitching. In addition, the clock system ensures that no meta-stable conditions occur.

The clock system for the PSoC 4200-M consists of a Watch Crystal Oscillator (WCO) running at 32 kHz, the IMO (3 to 48 MHz) and the ILO (32-kHz nominal) internal oscillators, and provision for an external clock.

**Figure 2. PSoC 4200M MCU Clocking Architecture**



The clk\_hf signal can be divided down to generate synchronous clocks for the UDBs, and the analog and digital peripherals. There are a total of 16 clock dividers for the PSoC 4200-M, each with 16-bit divide capability; this allows 12 to be used for the fixed-function blocks and four for the UDBs. The analog clock leads the digital clocks to allow analog events to occur before digital clock-related noise is generated. The 16-bit capability allows a lot of flexibility in generating fine-grained frequency values and is fully supported in PSoC Creator.

#### IMO Clock Source

The IMO is the primary source of internal clocking in the PSoC 4200M. It is trimmed during testing to achieve the specified accuracy. Trim values are stored in nonvolatile memory. Trimming can also be done on the fly to allow in-field calibration. The IMO default frequency is 24 MHz and it can be adjusted between 3 to 48 MHz in steps of 1 MHz. IMO tolerance with Cypress-provided calibration settings is  $\pm 2\%$ .

#### ILO Clock Source

The ILO is a very low power oscillator, nominally 32 kHz, which is primarily used to generate clocks for peripheral operation in Deep Sleep mode. ILO-driven counters can be calibrated to the IMO to improve accuracy. Cypress provides a software component, which does the calibration.

#### Crystal Oscillator

The PSoC 4200M clock subsystem also includes a low-frequency crystal oscillator (32-kHz WCO) that is available during the Deep Sleep mode and can be used for Real-Time Clock (RTC) and Watchdog Timer applications.



### Watchdog Timer

A watchdog timer is implemented in the clock block running from the low-frequency clock; this allows watchdog operation during Deep Sleep and generates a watchdog reset or an interrupt if not serviced before the timeout occurs. The watchdog reset is recorded in the Reset Cause register.

### Reset

The PSoC 4200M can be reset from a variety of sources including a software reset. Reset events are asynchronous and guarantee reversion to a known state. The reset cause is recorded in a register, which is sticky through reset and allows software to determine the cause of the reset. An XRES pin is reserved for external reset to avoid complications with configuration and multiple pin functions during power-on or reconfiguration.

### Voltage Reference

The PSoC 4200M reference system generates all internally required references. A 1% voltage reference spec is provided for the 12-bit ADC. To allow better signal-to-noise ratios (SNR) and better absolute accuracy, it is possible to add an external bypass capacitor to the internal reference using a GPIO pin or to use an external reference for the SAR.

## Analog Blocks

### 12-bit SAR ADC

The 12-bit 1 MSample/second SAR ADC can operate at a maximum clock rate of 18 MHz and requires a minimum of 18 clocks at that frequency to do a 12-bit conversion.

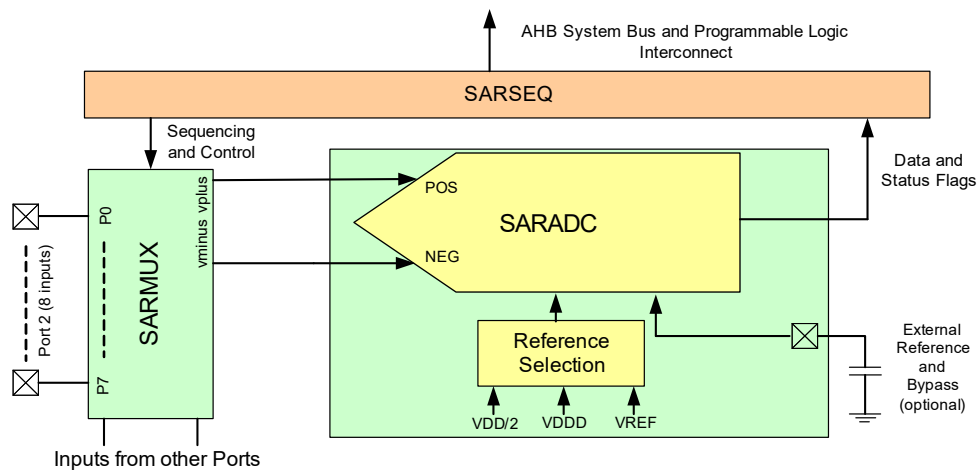
The block functionality is augmented for the user by adding a reference buffer to it (trimmable to  $\pm 1\%$ ) and by providing the choice of three internal voltage references:  $V_{DD}$ ,  $V_{DD}/2$ , and  $V_{REF}$  (nominally 1.024 V) as well as an external reference

through a GPIO pin. The Sample-and-Hold (S/H) aperture is programmable allowing the gain bandwidth requirements of the amplifier driving the SAR inputs, which determine its settling time, to be relaxed if required. The system performance will be 65 dB for true 12-bit precision if appropriate references are used and system noise levels permit. To improve performance in noisy conditions, it is possible to provide an external bypass (through a fixed pin location) for the internal reference amplifier.

The SAR is connected to a fixed set of pins through an 8-input sequencer (expandable to 16 inputs). The sequencer cycles through selected channels autonomously (sequencer scan) and does so with zero switching overhead (that is, the aggregate sampling bandwidth is equal to 1 Msps, whether it is for a single channel or distributed over several channels). The sequencer switching is effected through a state machine or through firmware-driven switching. A feature provided by the sequencer is buffering of each channel to reduce CPU interrupt service requirements. To accommodate signals with varying source impedance and frequency, it is possible to have different sample times programmable for each channel. In addition, the signal range specification through a pair of range registers (low and high range values) is implemented with a corresponding out-of-range interrupt if the digitized value exceeds the programmed range; this allows fast detection of out-of-range values without the necessity of having to wait for a sequencer scan to be completed and the CPU to read the values and check for out-of-range values in software.

The SAR is able to digitize the output of the on-board temperature sensor for calibration and other temperature-dependent functions. The SAR is not available in Deep Sleep and Hibernate modes as it requires a high-speed clock (up to 18 MHz). The SAR operating range is 1.71 to 5.5 V.

Figure 3. SAR ADC System Diagram



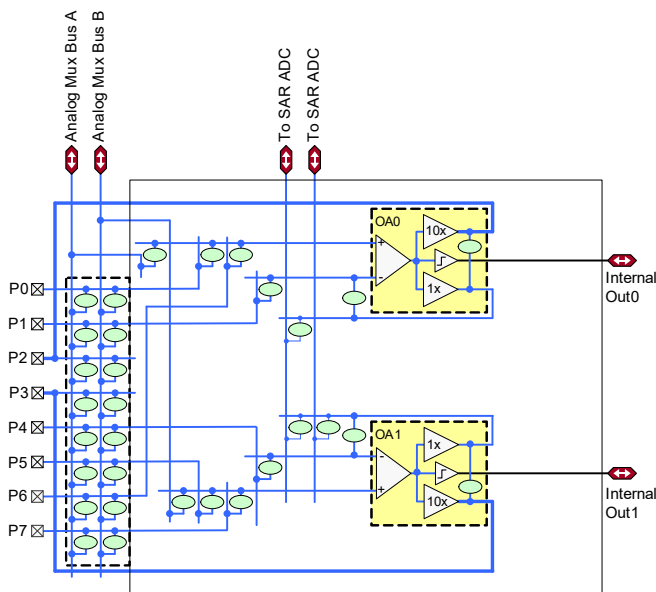
## Analog Multiplex Bus

The PSoC 4200M has two concentric analog buses (Analog Mux Bus A and Analog Mux Bus B) that circumnavigate the periphery of the chip. These buses can transport analog signals from any pin to various analog blocks (including the opamps) and to the CapSense blocks allowing, for instance, the ADC to monitor any pin on the chip. These buses are independent and can also be split into three independent sections. This allows one section to be used for CapSense purposes, one for general analog signal processing, and the third for general-purpose digital peripherals and GPIO.

## Four Opamps

The PSoC 4200M has four opamps with comparator modes, which allow most common analog functions to be performed on-chip eliminating external components; PGAs, voltage buffers, filters, trans-impedance amplifiers, and other functions can be realized with external passives saving power, cost, and space. The on-chip opamps are designed with enough bandwidth to drive the Sample-and-Hold circuit of the ADC without requiring external buffering. The opamps can operate in the Deep Sleep mode at very low power levels. The following diagram shows one of two identical opamp pairs of the opamp subsystem.

**Figure 4. Identical Opamp Pairs in Opamp Subsystem**



The ovals in Figure 4 represent analog switches, which may be controlled via user firmware, the SAR sequencer, or user-defined programmable logic. The opamps (OA0 and OA1) are configurable via these switches to perform all standard opamp functions with appropriate feedback components.

The opamps (OA0 and OA1) are programmable and reconfigurable to provide standard opamp functionality via switchable feedback components, unity gain functionality for driving pins directly, or for internal use (such as buffering SAR ADC inputs as indicated in the diagram), or as true comparators.

The opamp inputs provide highly flexible connectivity and can connect directly to dedicated pins or, via the analog mux buses, to any pin on the chip. Analog switch connectivity is controllable by user firmware as well as user-defined programmable digital state machines (implemented via UDBs).

The opamps operate in Deep Sleep mode at very low currents allowing analog circuits to remain operational during Deep Sleep.

## Temperature Sensor

The PSoC 4200M has one on-chip temperature sensor. This consists of a diode, which is biased by a current source that can be disabled to save power. The temperature sensor is connected to the ADC, which digitizes the reading and produces a temperature value using Cypress-supplied software that includes calibration and linearization.

## Low-power Comparators

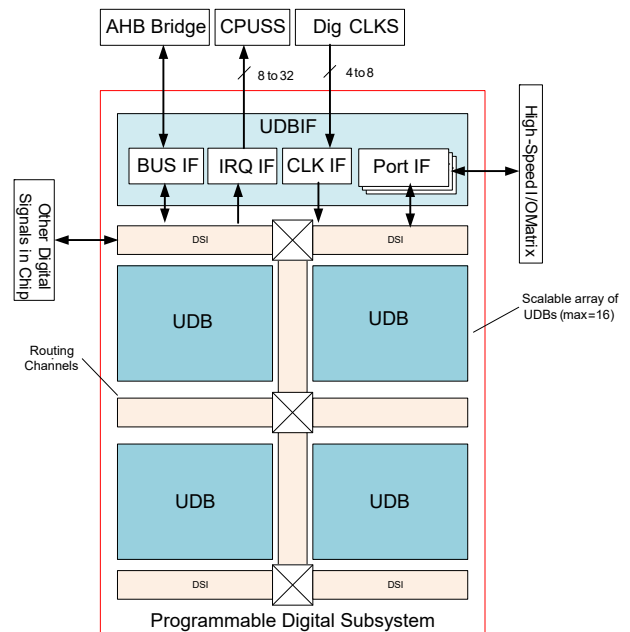
The PSoC 4200M has a pair of low-power comparators, which can also operate in the Deep Sleep and Hibernate modes. This allows the analog system blocks to be disabled while retaining the ability to monitor external voltage levels during low-power modes. The comparator outputs are normally synchronized to avoid meta-stability unless operating in an asynchronous power mode (Hibernate) where the system wake-up circuit is activated by a comparator switch event.

## Programmable Digital

### Universal Digital Blocks (UDBs) and Port Interfaces

The PSoC 4200M has four UDBs; the UDB array also provides a switched Digital System Interconnect (DSI) fabric that allows signals from peripherals and ports to be routed to and through the UDBs for communication and control. The UDB array is shown in the following figure.

**Figure 5. UDB Array**



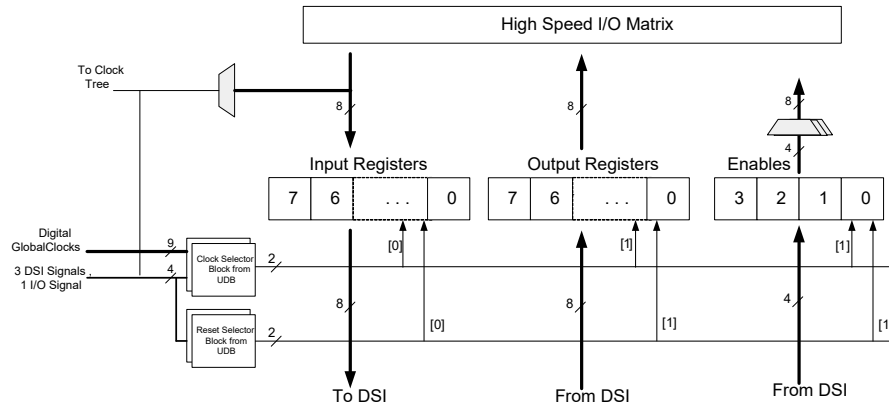
UDBs can be clocked from a clock divider block, from a port interface (required for peripherals such as SPI), and from the DSI network directly or after synchronization.

A port interface is defined, which acts as a register that can be clocked with the same source as the PLDs inside the UDB array. This allows faster operation because the inputs and outputs can be registered at the port interface close to the I/O pins and at the edge of the array. The port interface registers can be clocked by

one of the I/Os from the same port. This allows interfaces such as SPI to operate at higher clock speeds by eliminating the delay for the port input to be routed over DSI and used to register other inputs. The port interface is shown in Figure 6.

The UDBs can generate interrupts (one UDB at a time) to the interrupt controller. The UDBs can connect to any pin on Ports 0, 1, 2, and 3 (each port interconnect requires one UDB) through the DSI.

**Figure 6. Port Interface**



## Fixed Function Digital

### Timer/Counter/PWM (TCPWM) Block

The TCPWM block uses a 16-bit counter with user-programmable period length. There is a Capture register to record the count value at the time of an event (which may be an I/O event), a period register which is used to either stop or auto-reload the counter when its count is equal to the period register, and compare registers to generate compare value signals, which are used as PWM duty cycle outputs. The block also provides true and complementary outputs with programmable offset between them to allow use as deadband programmable complementary PWM outputs. It also has a Kill input to force outputs to a predetermined state; for example, this is used in motor drive systems when an overcurrent state is indicated and the PWMs driving the FETs need to be shut off immediately with no time for software intervention. The PSoC 4200M has eight TCPWM blocks.

### Serial Communication Blocks (SCB)

The PSoC 4200M has four SCBs, which can each implement an I<sup>2</sup>C, UART, or SPI interface.

**I<sup>2</sup>C Mode:** The hardware I<sup>2</sup>C block implements a full multi-master and slave interface (it is capable of multimaster arbitration). This block is capable of operating at speeds of up to 1 Mbps (Fast Mode Plus) and has flexible buffering options to reduce interrupt overhead and latency for the CPU. It also supports EzI<sup>2</sup>C that creates a mailbox address range in the memory of the PSoC 4200M and effectively reduces I<sup>2</sup>C communication to reading from and writing to an array in memory. In addition, the block supports an 8-deep FIFO for receive and transmit which, by increasing the time given for the CPU to read data, greatly reduces the need for clock stretching caused by the CPU not having read data on time. The FIFO mode is available in all channels and is very useful in the absence of DMA.

The I<sup>2</sup>C peripheral is compatible with the I<sup>2</sup>C Standard-mode, Fast-mode, and Fast-mode Plus devices as defined in the NXP I<sup>2</sup>C-bus specification and user manual (UM10204). The I<sup>2</sup>C bus I/O is implemented with GPIO in open-drain modes.

**UART Mode:** This is a full-feature UART operating at up to 1 Mbps. It supports automotive single-wire interface (LIN), infrared interface (IrDA), and SmartCard (ISO7816) protocols, all of which are minor variants of the basic UART protocol. In addition, it supports the 9-bit multiprocessor mode that allows addressing of peripherals connected over common RX and TX lines. Common UART functions such as parity error, break detect, and frame error are supported. An 8-deep FIFO allows much greater CPU service latencies to be tolerated.

**SPI Mode:** The SPI mode supports full Motorola SPI, TI SSP (essentially adds a start pulse used to synchronize SPI Codecs), and National Microwire (half-duplex form of SPI). The SPI block can use the FIFO and also supports an EzSPI mode in which data interchange is reduced to reading and writing an array in memory.

**LIN Slave Mode:** The LIN Slave mode uses the SCB hardware block and implements a full LIN slave interface. This LIN slave is compliant with LIN v1.3 and LIN v2.1/2.2 specification standards. It is certified by C&S GmbH based on the standard protocol and data link layer conformance tests. LIN slave can be operated at baud rates of up to ~20 Kbps with a maximum of 40-meter cable length. PSoC Creator software supports up to two LIN slave interfaces in the PSoC 4 device, providing built-in application programming interfaces (APIs) based on the LIN specification standard.

### CAN Blocks

There are two independent CAN blocks which implement CAN 2.0B as defined in the Bosch specifications and conform to ISO-11898-1 standard.



## GPIO

The PSoC 4200M has 51 GPIOs in the 64-pin TQFP (0.5-mm pitch) package. The GPIO block implements the following:

- Eight drive strength modes including strong push-pull, resistive pull-up and pull-down, weak (resistive) pull-up and pull-down, open drain and open source, input only, and disabled
- Input threshold select (CMOS or LVTTTL)
- Individual control of input and output disables
- Hold mode for latching previous state (used for retaining I/O state in Deep Sleep mode and Hibernate modes)
- Selectable slew rates for  $dV/dt$  related noise control to improve EMI

The pins are organized in logical entities called ports, which are 8-bit in width. During power-on and reset, the blocks are forced to the disable state so as not to crowbar any inputs and/or cause excess turn-on current. A multiplexing network known as a high-speed I/O matrix is used to multiplex between various signals that may connect to an I/O pin. Pin locations for fixed-function peripherals are also fixed to reduce internal multiplexing complexity (these signals do not go through the DSI network). DSI signals are not affected by this and any pin on Ports 0, 1, 2, and 3 may be routed to any UDB through the DSI network. Only pins on Ports 0, 1, 2, and 3 may be routed through DSI signals.

Data output and pin state registers store, respectively, the values to be driven on the pins and the states of the pins themselves.

Every I/O pin can generate an interrupt if so enabled and each I/O port has an interrupt request (IRQ) and interrupt service routine (ISR) vector associated with it (8 for PSoC 4200M).

The Pins of Port 6 (up to 6 depending on the package) are overvoltage tolerant ( $V_{IN}$  can exceed  $V_{DD}$ ). The overvoltage cells will not sink more than 10  $\mu$ A when their inputs exceed  $V_{DDIO}$  in compliance with I<sup>2</sup>C specifications.

## Special Function Peripherals

### LCD Segment Drive

The PSoC 4200M has an LCD controller, which can drive up to four commons and up to 47 segments. Any pin can be either a common or a segment pin. It uses full digital methods to drive the LCD segments requiring no generation of internal LCD voltages.

The two methods used are referred to as digital correlation and PWM.

Digital correlation pertains to modulating the frequency and levels of the common and segment signals to generate the highest RMS voltage across a segment to light it up or to keep the RMS signal zero. This method is good for STN displays but may result in reduced contrast with TN (cheaper) displays.

PWM pertains to driving the panel with PWM signals to effectively use the capacitance of the panel to provide the integration of the modulated pulse-width to generate the desired LCD voltage. This method results in higher power consumption but can result in better results when driving TN displays. LCD operation is supported during Deep Sleep refreshing a small display buffer (4 bits; 1 32-bit register per port).

### CapSense

CapSense is supported on all pins in the PSoC 4200M through a CapSense Sigma-Delta (CSD) block that can be connected to any pin through an analog mux bus that any GPIO pin can be connected to via an Analog switch. CapSense functionality can thus be provided on any pin or group of pins in a system under software control. A component is provided for the CapSense block, which provides automatic hardware tuning (Cypress SmartSense™), to make it easy for the user.

Shield voltage can be driven on another Mux Bus to provide water tolerance capability. Water tolerance is provided by driving the shield electrode in phase with the sense electrode to keep the shield capacitance from attenuating the sensed input.

Each CSD block has two IDACs which can be used for general purposes if CapSense is not being used (both IDACs are available in that case) or if CapSense is used without water tolerance (one IDAC is available). The PSoC 4200M has two CSD blocks which can be used independently; one for CapSense and one providing two IDACs.

The two CapSense blocks are referred to as CSD0 and CSD1. Capacitance sensing inputs on Ports 0, 1, 2, 3, 4, 6, and 7 are sensed by CSD0. Capacitance sensing inputs on Port 5 are sensed by CSD1.

## Pinouts

Table 1 provides the pin list for the PSoC 4200M. This table provides the power supply and port pins (for example, P0.0 is Pin 0 of Port 0).

**Table 1. Pinouts for Different Packages**

| 64-TQFP |           | 48-TQFP |           | 56-QFN |           |
|---------|-----------|---------|-----------|--------|-----------|
| Pin     | Name      | Pin     | Name      | Pin    | Name      |
| 39      | P0.0      | 28      | P0.0      | 31     | P0.0      |
| 40      | P0.1      | 29      | P0.1      | 32     | P0.1      |
| 41      | P0.2      | 30      | P0.2      | 33     | P0.2      |
| 42      | P0.3      | 31      | P0.3      | 34     | P0.3      |
| 43      | P0.4      | 32      | P0.4      | 35     | P0.4      |
| 44      | P0.5      | 33      | P0.5      | 36     | P0.5      |
| 45      | P0.6      | 34      | P0.6      | 37     | P0.6      |
| 46      | P0.7      | 35      | P0.7      | 38     | P0.7      |
| 47      | XRES      | 36      | XRES      | 39     | XRES      |
| 48      | VCCD      | 37      | VCCD      | 40     | VCCD      |
| 49      | VSSD      | 38      | VSSD      | 41     | VSSD      |
| 50      | VDDD      | 39      | VDDD      | 42     | VDDD      |
| 51      | P5.0      | —       | —         | 43     | P5.0      |
| 52      | P5.1      | —       | —         | 44     | P5.1      |
| 53      | P5.2      | —       | —         | 45     | P5.2      |
| 54      | P5.3      | —       | —         | 46     | P5.3      |
|         |           |         |           | 47     | P5.4      |
| 55      | P5.5      | —       | —         | 48     | P5.5      |
| 56      | VDDA      | 40      | VDDA      | 49     | VDDA      |
| 57      | VSSA      | 41      | VSSA      | 50     | VSSA      |
| 58      | P1.0      | 42      | P1.0      | —      | —         |
| 59      | P1.1      | 43      | P1.1      | 51     | P1.1      |
| 60      | P1.2      | 44      | P1.2      | 52     | P1.2      |
| 61      | P1.3      | 45      | P1.3      | 53     | P1.3      |
| 62      | P1.4      | 46      | P1.4      | 54     | P1.4      |
| 63      | P1.5      | 47      | P1.5      | 55     | P1.5      |
| 64      | P1.6      | 48      | P1.6      | 56     | P1.6      |
| 1       | P1.7/VREF | 1       | P1.7/VREF | 1      | P1.7/VREF |
| 2       | P2.0      | 2       | P2.0      | 2      | P2.0      |
| 3       | P2.1      | 3       | P2.1      | 3      | P2.1      |
| 4       | P2.2      | 4       | P2.2      | 4      | P2.2      |
| 5       | P2.3      | 5       | P2.3      | 5      | P2.3      |
| 6       | P2.4      | 6       | P2.4      | 6      | P2.4      |
| 7       | P2.5      | 7       | P2.5      | 7      | P2.5      |
| 8       | P2.6      | 8       | P2.6      | 8      | P2.6      |
| 9       | P2.7      | 9       | P2.7      | 9      | P2.7      |
| 10      | VSSA      | 10      | VSSIO     | 10     | VSSA      |
| 11      | VDDA      | —       | —         | 11     | VDDA      |

**Table 1. Pinouts for Different Packages** *(continued)*

| 64-TQFP |       | 48-TQFP |       | 56-QFN |       |
|---------|-------|---------|-------|--------|-------|
| Pin     | Name  | Pin     | Name  | Pin    | Name  |
| 12      | P6.0  | —       | —     | —      | —     |
| 13      | P6.1  |         |       | 12     | P6.1  |
| 14      | P6.2  | —       | —     | 13     | P6.2  |
| 15      | P6.4  | —       | —     | —      | —     |
| 16      | P6.5  | —       | —     | —      | —     |
| 17      | VSSIO | —       | —     | 14     | VSSIO |
| 18      | P3.0  | 12      | P3.0  | 15     | P3.0  |
| 19      | P3.1  | 13      | P3.1  | 16     | P3.1  |
| 20      | P3.2  | 14      | P3.2  | 17     | P3.2  |
| 21      | P3.3  | 16      | P3.3  | 18     | P3.3  |
| 22      | P3.4  | 17      | P3.4  | 19     | P3.4  |
| 23      | P3.5  | 18      | P3.5  | 20     | P3.5  |
| 24      | P3.6  | 19      | P3.6  | 21     | P3.6  |
| 25      | P3.7  | 20      | P3.7  | —      | —     |
| 26      | VDDIO | 21      | VDDIO | 22     | VDDIO |
| 27      | P4.0  | 22      | P4.0  | 23     | P4.0  |
| 28      | P4.1  | 23      | P4.1  | 24     | P4.1  |
| 29      | P4.2  | 24      | P4.2  | 25     | P4.2  |
| 30      | P4.3  | 25      | P4.3  | 26     | P4.3  |
| 31      | P4.4  | —       | —     | —      | —     |
| 32      | P4.5  | —       | —     | 27     | P4.5  |
| 33      | P4.6  | —       | —     | —      | —     |
| —       | —     | —       | —     | 28     | P4.7  |
| 37      | P7.0  | 26      | P7.0  | 29     | P7.0  |
| 38      | P7.1  | 27      | P7.1  | —      | —     |
| —       | —     | —       | —     | 30     | P7.2  |

The pins of Port 6 are overvoltage-tolerant. Pins 34, 35, and 36 are No-Connects on the 64-pin TQFP. Pins 11 and 15 are No-connects in the 48-pin TQFP. All VSS pins must be tied together.

The output drivers of I/O Ports P0 and P7 are connected to VDDD. Output drivers of I/O Ports 1, 2, and 5 are connected to VDDA. Output drivers of I/O Ports 3, 4, and 6 are connected to VDDIO.

Each of the pins shown in [Table 1](#) can have multiple programmable functions as shown in [Table 2](#). Column headings refer to Analog and Alternate pin functions.

**Table 2. Alternate Functions Supported by Each Pin**

| Port/Pin | Analog           | Alt. Function 1       | Alt. Function 2   | Alt. Function 3       | Alt. Function 4  | Alt. Function 5      |
|----------|------------------|-----------------------|-------------------|-----------------------|------------------|----------------------|
| P0.0     | lpcomp.in_p[0]   | —                     | —                 | can[1].can_rx:0       | —                | scb[0].spi_select1:0 |
| P0.1     | lpcomp.in_n[0]   | —                     | —                 | can[1].can_tx:0       | —                | scb[0].spi_select2:0 |
| P0.2     | lpcomp.in_p[1]   | —                     | —                 | —                     | —                | scb[0].spi_select3:0 |
| P0.3     | lpcomp.in_n[1]   | —                     | —                 | —                     | —                | —                    |
| P0.4     | wco_in           | —                     | scb[1].uart_rx:0  | —                     | scb[1].i2c_scl:0 | scb[1].spi_mosi:1    |
| P0.5     | wco_out          | —                     | scb[1].uart_tx:0  | —                     | scb[1].i2c_sda:0 | scb[1].spi_miso:1    |
| P0.6     | —                | ext_clk:0             | scb[1].uart_cts:0 | —                     | —                | scb[1].spi_clk:1     |
| P0.7     | —                | —                     | scb[1].uart_rts:0 | can[1].can_tx_enb_n:0 | wakeup           | scb[1].spi_select0:1 |
| P5.0     | ctb1.oa0.inp     | tcpwm.line[4]:2       | scb[2].uart_rx:0  | —                     | scb[2].i2c_scl:0 | scb[2].spi_mosi:0    |
| P5.1     | ctb1.oa0.inm     | tcpwm.line_compl[4]:2 | scb[2].uart_tx:0  | —                     | scb[2].i2c_sda:0 | scb[2].spi_miso:0    |
| P5.2     | ctb1.oa0.out     | tcpwm.line[5]:2       | scb[2].uart_cts:0 | —                     | lpcomp.comp[0]:1 | scb[2].spi_clk:0     |
| P5.3     | ctb1.oa1.out     | tcpwm.line_compl[5]:2 | scb[2].uart_rts:0 | —                     | lpcomp.comp[1]:1 | scb[2].spi_select0:0 |
| P5.4     | ctb1.oa1.inm     | tcpwm.line[6]:2       | —                 | —                     | —                | scb[2].spi_select1:0 |
| P5.5     | ctb1.oa1.inp     | tcpwm.line_compl[6]:2 | —                 | —                     | —                | scb[2].spi_select2:0 |
| P5.6     | ctb1.oa0.inp_alt | tcpwm.line[7]:0       | —                 | —                     | —                | scb[2].spi_select3:0 |
| P5.7     | ctb1.oa1.inp_alt | tcpwm.line_compl[7]:0 | —                 | —                     | —                | —                    |
| P1.0     | ctb0.oa0.inp     | tcpwm.line[2]:1       | scb[0].uart_rx:1  | —                     | scb[0].i2c_scl:0 | scb[0].spi_mosi:1    |
| P1.1     | ctb0.oa0.inm     | tcpwm.line_compl[2]:1 | scb[0].uart_tx:1  | —                     | scb[0].i2c_sda:0 | scb[0].spi_miso:1    |
| P1.2     | ctb0.oa0.out     | tcpwm.line[3]:1       | scb[0].uart_cts:1 | —                     | —                | scb[0].spi_clk:1     |
| P1.3     | ctb0.oa1.out     | tcpwm.line_compl[3]:1 | scb[0].uart_rts:1 | —                     | —                | scb[0].spi_select0:1 |
| P1.4     | ctb0.oa1.inm     | tcpwm.line[6]:1       | —                 | —                     | —                | scb[0].spi_select1:1 |
| P1.5     | ctb0.oa1.inp     | tcpwm.line_compl[6]:1 | —                 | —                     | —                | scb[0].spi_select2:1 |
| P1.6     | ctb0.oa0.inp_alt | tcpwm.line[7]:1       | —                 | —                     | —                | scb[0].spi_select3:1 |
| P1.7     | ctb0.oa1.inp_alt | tcpwm.line_compl[7]:1 | —                 | —                     | —                | —                    |
| P2.0     | sarmux.0         | tcpwm.line[4]:1       | —                 | —                     | scb[1].i2c_scl:1 | scb[1].spi_mosi:2    |
| P2.1     | sarmux.1         | tcpwm.line_compl[4]:1 | —                 | —                     | scb[1].i2c_sda:1 | scb[1].spi_miso:2    |
| P2.2     | sarmux.2         | tcpwm.line[5]:1       | —                 | —                     | —                | scb[1].spi_clk:2     |
| P2.3     | sarmux.3         | tcpwm.line_compl[5]:1 | —                 | —                     | —                | scb[1].spi_select0:2 |
| P2.4     | sarmux.4         | tcpwm.line[0]:1       | —                 | —                     | —                | scb[1].spi_select1:1 |
| P2.5     | sarmux.5         | tcpwm.line_compl[0]:1 | —                 | —                     | —                | scb[1].spi_select2:1 |
| P2.6     | sarmux.6         | tcpwm.line[1]:1       | —                 | —                     | —                | scb[1].spi_select3:1 |
| P2.7     | sarmux.7         | tcpwm.line_compl[1]:1 | —                 | —                     | —                | scb[3].spi_select0:1 |

**Table 2. Alternate Functions Supported by Each Pin** (continued)

| Port/Pin | Analog           | Alt. Function 1       | Alt. Function 2   | Alt. Function 3       | Alt. Function 4  | Alt. Function 5      |
|----------|------------------|-----------------------|-------------------|-----------------------|------------------|----------------------|
| P6.0     | —                | tcpwm.line[4]:0       | scb[3].uart_rx:0  | can[0].can_tx_enb_n:0 | scb[3].i2c_scl:0 | scb[3].spi_mosi:0    |
| P6.1     | —                | tcpwm.line_compl[4]:0 | scb[3].uart_tx:0  | can[0].can_rx:0       | scb[3].i2c_sda:0 | scb[3].spi_miso:0    |
| P6.2     | —                | tcpwm.line[5]:0       | scb[3].uart_cts:0 | can[0].can_tx:0       | —                | scb[3].spi_clk:0     |
| P6.3     | —                | tcpwm.line_compl[5]:0 | scb[3].uart_rts:0 | —                     | —                | scb[3].spi_select0:0 |
| P6.4     | —                | tcpwm.line[6]:0       | —                 | —                     | —                | scb[3].spi_select1:0 |
| P6.5     | —                | tcpwm.line_compl[6]:0 | —                 | —                     | —                | scb[3].spi_select2:0 |
| P3.0     | —                | tcpwm.line[0]:0       | scb[1].uart_rx:1  | —                     | scb[1].i2c_scl:2 | scb[1].spi_mosi:0    |
| P3.1     | —                | tcpwm.line_compl[0]:0 | scb[1].uart_tx:1  | —                     | scb[1].i2c_sda:2 | scb[1].spi_miso:0    |
| P3.2     | —                | tcpwm.line[1]:0       | scb[1].uart_cts:1 | —                     | swd_data         | scb[1].spi_clk:0     |
| P3.3     | —                | tcpwm.line_compl[1]:0 | scb[1].uart_rts:1 | —                     | swd_clk          | scb[1].spi_select0:0 |
| P3.4     | —                | tcpwm.line[2]:0       | —                 | —                     | —                | scb[1].spi_select1:0 |
| P3.5     | —                | tcpwm.line_compl[2]:0 | —                 | —                     | —                | scb[1].spi_select2:0 |
| P3.6     | —                | tcpwm.line[3]:0       | —                 | —                     | —                | scb[1].spi_select3:0 |
| P3.7     | —                | tcpwm.line_compl[3]:0 | —                 | —                     | —                | —                    |
| P4.0     | —                | —                     | scb[0].uart_rx:0  | can[0].can_rx:1       | scb[0].i2c_scl:1 | scb[0].spi_mosi:0    |
| P4.1     | —                | —                     | scb[0].uart_tx:0  | can[0].can_tx:1       | scb[0].i2c_sda:1 | scb[0].spi_miso:0    |
| P4.2     | csd[0].c_mod     | —                     | scb[0].uart_cts:0 | can[0].can_tx_enb_n:1 | lpcomp.comp[0]:0 | scb[0].spi_clk:0     |
| P4.3     | csd[0].c_sh_tank | —                     | scb[0].uart_rts:0 | —                     | lpcomp.comp[1]:0 | scb[0].spi_select0:0 |
| P4.4     | —                | —                     | —                 | can[1].can_tx_enb_n:1 | —                | scb[0].spi_select1:2 |
| P4.5     | —                | —                     | —                 | can[1].can_rx:1       | —                | scb[0].spi_select2:2 |
| P4.6     | —                | —                     | —                 | can[1].can_tx:1       | —                | scb[0].spi_select3:2 |
| P4.7     | —                | —                     | —                 | —                     | —                | —                    |
| P7.0     | —                | tcpwm.line[0]:2       | scb[3].uart_rx:1  | —                     | scb[3].i2c_scl:1 | scb[3].spi_mosi:1    |
| P7.1     | —                | tcpwm.line_compl[0]:2 | scb[3].uart_tx:1  | —                     | scb[3].i2c_sda:1 | scb[3].spi_miso:1    |
| P7.2     | —                | tcpwm.line[1]:2       | scb[3].uart_cts:1 | —                     | —                | scb[3].spi_clk:1     |

Descriptions of the power pin functions are as follows:

**VDDD:** Power supply for both analog and digital sections (where there is no  $V_{DDA}$  pin).

**VDDA:** Analog  $V_{DD}$  pin where package pins allow; shorted to  $V_{DDD}$  otherwise.

**VDDIO:** I/O pin power domain.

**VSSA:** Analog ground pin where package pins allow; shorted to VSS otherwise

**VSS:** Ground pin.

**VCCD:** Regulated Digital supply (1.8 V  $\pm$ 5%).

Port Pins can all be used as LCD Commons, LCD Segment drivers, or CSD sense and shield pins can be connected to AMUXBUS A or B or can all be used as GPIO pins that can be driven by firmware or DSI signals.



## Power

The supply voltage range is 1.71 to 5.5 V with all functions and circuits operating over that range.

The PSoC 4200M family allows two distinct modes of power supply operation: Unregulated External Supply and Regulated External Supply modes.

### Unregulated External Supply

In this mode, the PSoC 4200M is powered by an External Power Supply that can be anywhere in the range of 1.8 to 5.5 V. This range is also designed for battery-powered operation, for instance, the chip can be powered from a battery system that starts at 3.5V and works down to 1.8 V. In this mode, the internal regulator of the PSoC 4200M supplies the internal logic and the VCCD output of the PSoC 4200M must be bypassed to ground via an external Capacitor (in the range of 1 to 1.6  $\mu\text{F}$ ; X5R ceramic or better).

The grounds, VSSA and VSS, must be shorted together. Bypass capacitors must be used from VDDD and VDDA to ground, typical practice for systems in this frequency range is to use a capacitor in the 1  $\mu\text{F}$  range in parallel with a smaller capacitor (0.1  $\mu\text{F}$ , for example). Note that these are simply rules of thumb and that, for critical applications, the PCB layout, lead inductance, and the Bypass capacitor parasitic should be simulated to design and obtain optimal bypassing.

**Table 3. Recommended Bypass Capacitors for Different Power Supply Pins**

| Power Supply           | Bypass Capacitors   |
|------------------------|---|
| VDDD–VSS and VDDIO–VSS | 0.1 $\mu\text{F}$ ceramic at each pin plus bulk capacitor 1 to 10 $\mu\text{F}$ .                                     |
| VDDA–VSSA              | 0.1 $\mu\text{F}$ ceramic at pin. Additional 1 $\mu\text{F}$ to 10 $\mu\text{F}$ bulk capacitor.                      |
| VCCD–VSS               | 1 $\mu\text{F}$ ceramic capacitor at the VCCD pin.  |
| VREF–VSSA (optional)   | The internal bandgap may be bypassed with a 1 $\mu\text{F}$ to 10 $\mu\text{F}$ capacitor for better ADC performance. |

### Regulated External Supply

In this mode, the PSoC 4200M is powered by an external power supply that must be within the range of 1.71 to 1.89 V ( $1.8 \pm 5\%$ ); note that this range needs to include power supply ripple. VCCD and VDDD pins are shorted together and bypassed. The internal regulator is disabled in firmware.

## Development Support

The PSoC 4200M family has a rich set of documentation, development tools, and online resources to assist you during your development process. Visit [www.cypress.com/psoc4](http://www.cypress.com/psoc4) for more information.

### Documentation

A suite of documentation supports the PSoC 4200M family to ensure that you can find answers to your questions quickly. This section contains a list of some of the key documents.

**Software User Guide:** A step-by-step guide for using PSoC Creator. The software user guide shows you how the PSoC Creator build process works in detail, how to use source control with PSoC Creator, and much more.

**Component Datasheets:** The flexibility of PSoC allows the creation of new peripherals (components) long after the device has gone into production. Component data sheets provide all of the information needed to select and use a particular component, including a functional description, API documentation, example code, and AC/DC specifications.

**Application Notes:** PSoC application notes discuss a particular application of PSoC in depth; examples include brushless DC motor control and on-chip filtering. Application notes often include example projects in addition to the application note document.

**Technical Reference Manual:** The Technical Reference Manual (TRM) contains all the technical detail you need to use a PSoC device, including a complete description of all PSoC registers.

### Online

In addition to print documentation, the Cypress PSoC forums connect you with fellow PSoC users and experts in PSoC from around the world, 24 hours a day, 7 days a week.

### Tools

With industry standard cores, programming, and debugging interfaces, the PSoC 4200M family is part of a development tool ecosystem. Visit us at [www.cypress.com/psoccreator](http://www.cypress.com/psoccreator) for the latest information on the revolutionary, easy to use PSoC Creator IDE, supported third party compilers, programmers, debuggers, and development kits.

## Electrical Specifications

### Absolute Maximum Ratings

**Table 4. Absolute Maximum Ratings<sup>[1]</sup>**

| Spec ID | Parameter                    | Description   | Min  | Typ | Max                  | Unit | Details/Conditions |
|---------|------------------------------|---|------|-----|----------------------|------|--------------------|
| SID1    | V <sub>DD_ABS</sub>          | Analog or digital supply relative to V <sub>SS</sub> (V <sub>SSD</sub> = V <sub>SSA</sub> ) | -0.5 | -   | 6                    | V    | Absolute maximum   |
| SID2    | V <sub>CCD_ABS</sub>         | Direct digital core voltage input relative to V <sub>SSD</sub>                              | -0.5 | -   | 1.95                 | V    | Absolute maximum   |
| SID3    | V <sub>GPIO_ABS</sub>        | GPIO voltage; V <sub>DDD</sub> or V <sub>DDA</sub>  | -0.5 | -   | V <sub>DD</sub> +0.5 | V    | Absolute maximum   |
| SID4    | I <sub>GPIO_ABS</sub>        | Current per GPIO  | -25  | -   | 25                   | mA   | Absolute maximum   |
| SID5    | I <sub>G-PIO_injection</sub> | GPIO injection current per pin  | -0.5 | -   | 0.5                  | mA   | Absolute maximum   |
| BID44   | ESD_HBM                      | Electrostatic discharge human body model  | 2200 | -   | -                    | V    | -                  |
| BID45   | ESD_CDM                      | Electrostatic discharge charged device model  | 500  | -   | -                    | V    | -                  |
| BID46   | LU                           | Pin current for latch-up  | -140 | -   | 140                  | mA   | -                  |

### Device Level Specifications

All specifications are valid for  $-40\text{ }^{\circ}\text{C} \leq T_A \leq 85\text{ }^{\circ}\text{C}$  for Grade-A devices and  $-40\text{ }^{\circ}\text{C} \leq T_A \leq 105\text{ }^{\circ}\text{C}$  for Grade-S devices. Specifications are valid for 1.71 V to 5.5 V, except where noted.

**Table 5. DC Specifications**

| Spec ID | Parameter        | Description   | Min  | Typ | Max  | Unit | Details/Conditions            |
|---------|------------------|---|------|-----|------|------|-------------------------------|
| SID53   | V <sub>DDD</sub> | Power supply input voltage (V <sub>DDA</sub> = V <sub>DDD</sub> = V <sub>DD</sub> ) | 1.8  | -   | 5.5  | V    | With regulator enabled        |
| SID255  | V <sub>DDD</sub> | Power supply input voltage unregulated  | 1.71 | 1.8 | 1.89 | V    | Internally unregulated Supply |
| SID54   | V <sub>CCD</sub> | Output voltage (for core logic)   | -    | 1.8 | -    | V    | -                             |
| SID55   | C <sub>EFC</sub> | External regulator voltage bypass   | 1    | 1.3 | 1.6  | μF   | X5R ceramic or better         |
| SID56   | C <sub>EXC</sub> | Power supply decoupling capacitor   | -    | 1   | -    | μF   | X5R ceramic or better         |

#### Active Mode, -40 °C to 105 °C

|      |                  |                                   |   |     |      |    |   |
|------|------------------|-----------------------------------|---|-----|------|----|---|
| SID6 | I <sub>DD1</sub> | Execute from flash; CPU at 6 MHz  | - | 2.2 | 2.8  | mA | - |
| SID7 | I <sub>DD2</sub> | Execute from flash; CPU at 12 MHz | - | 3.7 | 4.2  | mA | - |
| SID8 | I <sub>DD3</sub> | Execute from flash; CPU at 24 MHz | - | 6.7 | 7.2  | mA | - |
| SID9 | I <sub>DD4</sub> | Execute from flash; CPU at 48 MHz | - | 13  | 13.8 | mA | - |

#### Sleep Mode, -40 °C to +105 °C

|       |                   |  |   |      |     |    |  |
|-------|-------------------|--|---|------|-----|----|--|
| SID21 | I <sub>DD16</sub> | I <sup>2</sup> C wakeup, WDT, and comparators on. Regulator off. | - | 1.75 | 2.1 | mA | V <sub>DD</sub> = 1.71 to 1.89, 6 MHz  |
| SID22 | I <sub>DD17</sub> | I <sup>2</sup> C wakeup, WDT, and comparators on.                | - | 1.7  | 2.1 | mA | V <sub>DD</sub> = 1.8 to 5.5, 6 MHz    |
| SID23 | I <sub>DD18</sub> | I <sup>2</sup> C wakeup, WDT, and comparators on. Regulator off. | - | 2.35 | 2.8 | mA | V <sub>DD</sub> = 1.71 to 1.89, 12 MHz |
| SID24 | I <sub>DD19</sub> | I <sup>2</sup> C wakeup, WDT, and comparators on.                | - | 2.25 | 2.8 | mA | V <sub>DD</sub> = 1.8 to 5.5, 12 MHz   |

#### Note

- Usage above the absolute maximum conditions listed in Table 4 may cause permanent damage to the device. Exposure to absolute maximum conditions for extended periods of time may affect device reliability. The maximum storage temperature is 150 °C in compliance with JEDEC Standard JESD22-A103, High Temperature Storage Life. When used below absolute maximum conditions but above normal operating conditions, the device may not operate to specification.

**Table 5. DC Specifications** (continued)

| Spec ID                                   | Parameter          | Description  | Min | Typ  | Max  | Unit | Details/Conditions             |
|---|--------------------|--|-----|------|------|------|--------------------------------|
| <b>Deep Sleep Mode, -40 °C to + 60 °C</b> |                    |  |     |      |      |      |                                |
| SID30                                     | I <sub>DD25</sub>  | I <sup>2</sup> C wakeup and WDT on. Regulator off. | -   | 1.55 | 20   | μA   | V <sub>DD</sub> = 1.71 to 1.89 |
| SID31                                     | I <sub>DD26</sub>  | I <sup>2</sup> C wakeup and WDT on.                | -   | 1.35 | 15   | μA   | V <sub>DD</sub> = 1.8 to 3.6   |
| SID32                                     | I <sub>DD27</sub>  | I <sup>2</sup> C wakeup and WDT on.                | -   | 1.5  | 15   | μA   | V <sub>DD</sub> = 3.6 to 5.5   |
| <b>Deep Sleep Mode, +85 °C</b>            |                    |  |     |      |      |      |                                |
| SID33                                     | I <sub>DD28</sub>  | I <sup>2</sup> C wakeup and WDT on. Regulator off. | -   | -    | 60   | μA   | V <sub>DD</sub> = 1.71 to 1.89 |
| SID34                                     | I <sub>DD29</sub>  | I <sup>2</sup> C wakeup and WDT on.                | -   | -    | 45   | μA   | V <sub>DD</sub> = 1.8 to 3.6   |
| SID35                                     | I <sub>DD30</sub>  | I <sup>2</sup> C wakeup and WDT on.                | -   | -    | 30   | μA   | V <sub>DD</sub> = 3.6 to 5.5   |
| <b>Deep Sleep Mode, +105 °C</b>           |                    |  |     |      |      |      |                                |
| SID33S                                    | I <sub>DD28S</sub> | I <sup>2</sup> C wakeup and WDT on. Regulator Off. | -   | -    | 135  | μA   | V <sub>DD</sub> = 1.71 to 1.89 |
| SID34S                                    | I <sub>DD29S</sub> | I <sup>2</sup> C wakeup and WDT on.                | -   | -    | 180  | μA   | V <sub>DD</sub> = 1.8 to 3.6   |
| SID35S                                    | I <sub>DD30S</sub> | I <sup>2</sup> C wakeup and WDT on.                | -   | -    | 140  | μA   | V <sub>DD</sub> = 3.6 to 5.5   |
| <b>Hibernate Mode, -40 °C to + 60 °C</b>  |                    |  |     |      |      |      |                                |
| SID39                                     | I <sub>DD34</sub>  | Regulator off                                      | -   | 150  | 3000 | nA   | V <sub>DD</sub> = 1.71 to 1.89 |
| SID40                                     | I <sub>DD35</sub>  | -  | -   | 150  | 1000 | nA   | V <sub>DD</sub> = 1.8 to 3.6   |
| SID41                                     | I <sub>DD36</sub>  | -  | -   | 150  | 1100 | nA   | V <sub>DD</sub> = 3.6 to 5.5   |
| <b>Hibernate Mode, +85 °C</b>             |                    |  |     |      |      |      |                                |
| SID42                                     | I <sub>DD37</sub>  | Regulator off                                      | -   | -    | 4500 | nA   | V <sub>DD</sub> = 1.71 to 1.89 |
| SID43                                     | I <sub>DD38</sub>  | -  | -   | -    | 3500 | nA   | V <sub>DD</sub> = 1.8 to 3.6   |
| SID44                                     | I <sub>DD39</sub>  | -  | -   | -    | 3500 | nA   | V <sub>DD</sub> = 3.6 to 5.5   |
| <b>Hibernate Mode, +105 °C</b>            |                    |  |     |      |      |      |                                |
| SID42S                                    | I <sub>DD37S</sub> | Regulator Off.                                     | -   | -    | 25   | μA   | V <sub>DD</sub> = 1.71 to 1.89 |
| SID43S                                    | I <sub>DD38S</sub> |  | -   | -    | 25   | μA   | V <sub>DD</sub> = 1.8 to 3.6   |
| SID44S                                    | I <sub>DD39S</sub> |  | -   | -    | 25   | μA   | V <sub>DD</sub> = 3.6 to 5.5   |
| <b>Stop Mode</b>                          |                    |  |     |      |      |      |                                |
| SID304                                    | I <sub>DD43A</sub> | Stop Mode current; V <sub>DD</sub> = 3.6 V         | -   | 35   | 85   | nA   | T = -40 °C to +60 °C           |
|   |                    |  | -   | -    | 1450 | nA   | T = +85 °C                     |
| SID304A                                   | I <sub>DD43B</sub> | Stop Mode current; V <sub>DD</sub> = 3.6 V         | -   | -    | 5645 | nA   | T = +85 °C to +105 °C          |
| SID304B                                   | I <sub>DD43C</sub> | Stop Mode current; V <sub>DD</sub> = 5.0 V         | -   | -    | 5645 | nA   | T = +85 °C to +105 °C          |
| <b>XRES Current</b>                       |                    |  |     |      |      |      |                                |
| SID307                                    | I <sub>DD_XR</sub> | Supply current while XRES (Active Low) asserted    | -   | 2    | 5    | mA   | -                              |

**Table 6. AC Specifications**

| Spec ID | Parameter               | Description                 | Min | Typ | Max | Unit | Details/Conditions                          |
|---------|-------------------------|-----------------------------|-----|-----|-----|------|---|
| SID48   | F <sub>CPU</sub>        | CPU frequency               | DC  | –   | 48  | MHz  | 1.71 ≤ V <sub>DD</sub> ≤ 5.5                |
| SID49   | T <sub>SLEEP</sub>      | Wakeup from sleep mode      | –   | 0   | –   | μs   | Guaranteed by characterization              |
| SID50   | T <sub>DEEPSLEEP</sub>  | Wakeup from Deep Sleep mode | –   | –   | 25  | μs   | 24 MHz IMO. Guaranteed by characterization. |
| SID51   | T <sub>HIBERNATE</sub>  | Wakeup from Hibernate mode  | –   | –   | 0.7 | ms   | Guaranteed by characterization              |
| SID51A  | T <sub>STOP</sub>       | Wakeup from Stop mode       | –   | –   | 2   | ms   | Guaranteed by characterization              |
| SID52   | T <sub>RESETWIDTH</sub> | External reset pulse width  | 1   | –   | –   | μs   | Guaranteed by characterization              |

### GPIO

**Table 7. GPIO DC Specifications**

| Spec ID | Parameter                      | Description  | Min                     | Typ | Max                    | Unit | Details/Conditions   |
|---------|--------------------------------|--|-------------------------|-----|------------------------|------|--|
| SID57   | V <sub>IH</sub> <sup>[2]</sup> | Input voltage high threshold   | 0.7 × V <sub>DDD</sub>  | –   | –                      | V    | CMOS Input   |
| SID57A  | I <sub>IHS</sub>               | Input current when Pad > V <sub>DDIO</sub> for OVT inputs            | –                       | –   | 10                     | μA   | Per I <sup>2</sup> C Spec  |
| SID58   | V <sub>IL</sub>                | Input voltage low threshold  | –                       | –   | 0.3 × V <sub>DDD</sub> | V    | CMOS Input   |
| SID241  | V <sub>IH</sub> <sup>[2]</sup> | LVTTL input, V <sub>DDD</sub> < 2.7 V                                | 0.7 × V <sub>DDD</sub>  | –   | –                      | V    | –  |
| SID242  | V <sub>IL</sub>                | LVTTL input, V <sub>DDD</sub> < 2.7 V                                | –                       | –   | 0.3 × V <sub>DDD</sub> | V    | –  |
| SID243  | V <sub>IH</sub> <sup>[2]</sup> | LVTTL input, V <sub>DDD</sub> ≥ 2.7 V                                | 2.0                     | –   | –                      | V    | –  |
| SID244  | V <sub>IL</sub>                | LVTTL input, V <sub>DDD</sub> ≥ 2.7 V                                | –                       | –   | 0.8                    | V    | –  |
| SID59   | V <sub>OH</sub>                | Output voltage high level  | V <sub>DDD</sub> – 0.6  | –   | –                      | V    | I <sub>OH</sub> = 4 mA at 3 V V <sub>DDD</sub>                   |
| SID60   | V <sub>OH</sub>                | Output voltage high level  | V <sub>DDD</sub> – 0.5  | –   | –                      | V    | I <sub>OH</sub> = 1 mA at 1.8 V V <sub>DDD</sub>                 |
| SID61   | V <sub>OL</sub>                | Output voltage low level   | –                       | –   | 0.6                    | V    | I <sub>OL</sub> = 4 mA at 1.8 V V <sub>DDD</sub>                 |
| SID62   | V <sub>OL</sub>                | Output voltage low level   | –                       | –   | 0.6                    | V    | I <sub>OL</sub> = 8 mA at 3 V V <sub>DDD</sub>                   |
| SID62A  | V <sub>OL</sub>                | Output voltage low level   | –                       | –   | 0.4                    | V    | I <sub>OL</sub> = 3 mA at 3 V V <sub>DDD</sub>                   |
| SID63   | R <sub>PULLUP</sub>            | Pull-up resistor   | 3.5                     | 5.6 | 8.5                    | kΩ   | –  |
| SID64   | R <sub>PULLDOWN</sub>          | Pull-down resistor   | 3.5                     | 5.6 | 8.5                    | kΩ   | –  |
| SID65   | I <sub>IL</sub>                | Input leakage current (absolute value)                               | –                       | –   | 2                      | nA   | 25 °C, V <sub>DDD</sub> = 3.0 V. Guaranteed by Characterization. |
| SID65A  | I <sub>IL_CTBM</sub>           | Input leakage current (absolute value) for CTBM pins                 | –                       | –   | 4                      | nA   | Guaranteed by Characterization                                   |
| SID66   | C <sub>IN</sub>                | Input capacitance  | –                       | –   | 7                      | pF   | –  |
| SID67   | V <sub>HYSTTL</sub>            | Input hysteresis LVTTL   | 25                      | 40  | –                      | mV   | V <sub>DDD</sub> ≥ 2.7 V   |
| SID68   | V <sub>HYSCMOS</sub>           | Input hysteresis CMOS  | 0.05 × V <sub>DDD</sub> | –   | –                      | mV   | –  |
| SID69   | I <sub>DIODE</sub>             | Current through protection diode to V <sub>DD</sub> /V <sub>SS</sub> | –                       | –   | 100                    | μA   | Guaranteed by characterization                                   |
| SID69A  | I <sub>TOT_GPIO</sub>          | Maximum Total Source or Sink Chip Current                            | –                       | –   | 200                    | mA   | Guaranteed by characterization                                   |

**Note**

2. V<sub>IH</sub> must not exceed V<sub>DDD</sub> + 0.2 V.



**Table 8. GPIO AC Specifications**

(Guaranteed by Characterization)<sup>[3]</sup>

| Spec ID | Parameter             | Description   | Min | Typ | Max  | Unit | Details/Conditions                     |
|---------|-----------------------|---|-----|-----|------|------|--|
| SID70   | T <sub>RISEF</sub>    | Rise time in fast strong mode                                     | 2   | –   | 12   | ns   | 3.3 V V <sub>DDD</sub> , Cload = 25 pF |
| SID71   | T <sub>FALLF</sub>    | Fall time in fast strong mode                                     | 2   | –   | 12   | ns   | 3.3 V V <sub>DDD</sub> , Cload = 25 pF |
| SID72   | T <sub>RISES</sub>    | Rise time in slow strong mode                                     | 10  | –   | 60   | ns   | 3.3 V V <sub>DDD</sub> , Cload = 25 pF |
| SID73   | T <sub>FALLS</sub>    | Fall time in slow strong mode                                     | 10  | –   | 60   | ns   | 3.3 V V <sub>DDD</sub> , Cload = 25 pF |
| SID74   | F <sub>GPIOOUT1</sub> | GPIO Fout; 3.3 V ≤ V <sub>DDD</sub> ≤ 5.5 V. Fast strong mode.    | –   | –   | 33   | MHz  | 90/10%, 25 pF load, 60/40 duty cycle   |
| SID75   | F <sub>GPIOOUT2</sub> | GPIO Fout; 1.7 V ≤ V <sub>DDD</sub> ≤ 3.3 V. Fast strong mode.    | –   | –   | 16.7 | MHz  | 90/10%, 25 pF load, 60/40 duty cycle   |
| SID76   | F <sub>GPIOOUT3</sub> | GPIO Fout; 3.3 V ≤ V <sub>DDD</sub> ≤ 5.5 V. Slow strong mode.    | –   | –   | 7    | MHz  | 90/10%, 25 pF load, 60/40 duty cycle   |
| SID245  | F <sub>GPIOOUT4</sub> | GPIO Fout; 1.7 V ≤ V <sub>DDD</sub> ≤ 3.3 V. Slow strong mode.    | –   | –   | 3.5  | MHz  | 90/10%, 25 pF load, 60/40 duty cycle   |
| SID246  | F <sub>GPIOIN</sub>   | GPIO input operating frequency; 1.71 V ≤ V <sub>DDD</sub> ≤ 5.5 V | –   | –   | 48   | MHz  | 90/10% V <sub>IO</sub>                 |

XRES

**Table 9. XRES DC Specifications**

| Spec ID | Parameter            | Description   | Min                    | Typ | Max                    | Unit | Details/Conditions             |
|---------|----------------------|---|------------------------|-----|------------------------|------|--------------------------------|
| SID77   | V <sub>IH</sub>      | Input voltage high threshold  | 0.7 × V <sub>DDD</sub> | –   | –                      | V    | CMOS Input                     |
| SID78   | V <sub>IL</sub>      | Input voltage low threshold   | –                      | –   | 0.3 × V <sub>DDD</sub> | V    | CMOS Input                     |
| SID79   | R <sub>PULLUP</sub>  | Pull-up resistor  | 3.5                    | 5.6 | 8.5                    | kΩ   | –                              |
| SID80   | C <sub>IN</sub>      | Input capacitance   | –                      | 3   | –                      | pF   | –                              |
| SID81   | V <sub>HYSXRES</sub> | Input voltage hysteresis  | –                      | 100 | –                      | mV   | Guaranteed by characterization |
| SID82   | I <sub>DIODE</sub>   | Current through protection diode to V <sub>DDD</sub> /V <sub>SS</sub> | –                      | –   | 100                    | μA   | Guaranteed by characterization |

**Table 10. XRES AC Specifications**

| Spec ID | Parameter              | Description       | Min | Typ | Max | Unit | Details/Conditions             |
|---------|------------------------|-------------------|-----|-----|-----|------|--------------------------------|
| SID83   | T <sub>RESEWIDTH</sub> | Reset pulse width | 1   | –   | –   | μs   | Guaranteed by characterization |

**Note**

3. Simultaneous switching transitions on many fully-loaded GPIO pins may cause ground perturbations depending on several factors including PCB and decoupling capacitor design. For applications that are very sensitive to ground perturbations, the slower GPIO slew rate setting may be used.

**Analog Peripherals**
*Opamp*
**Table 11. Opamp Specifications**

(Guaranteed by Characterization)

| Spec ID | Parameter                | Description  | Min   | Typ  | Max                    | Unit    | Details/Conditions                                |
|---------|--------------------------|--|-------|------|------------------------|---------|---|
| SID269  | I <sub>DD_HI</sub>       | Power = high   | –     | 1100 | 1850                   | μA      | Opamp block current, no load.                     |
| SID270  | I <sub>DD_MED</sub>      | Power = medium   | –     | 550  | 950                    | μA      |   |
| SID271  | I <sub>DD_LOW</sub>      | Power = low  | –     | 150  | 350                    | μA      |   |
| SID272  | GBW_HI                   | Power = high   | 6     | –    | –                      | MHz     | Load = 20 pF, 0.1 mA.<br>V <sub>DDA</sub> = 2.7 V |
| SID273  | GBW_MED                  | Power = medium   | 4     | –    | –                      | MHz     |   |
| SID274  | GBW_LO                   | Power = low  | –     | 1    | –                      | MHz     |   |
| SID275  | I <sub>OUT_MAX_HI</sub>  | Power = high   | 10    | –    | –                      | mA      | V <sub>DDA</sub> ≥ 2.7 V, 500 mV from rail        |
| SID276  | I <sub>OUT_MAX_MID</sub> | Power = medium   | 10    | –    | –                      | mA      |   |
| SID277  | I <sub>OUT_MAX_LO</sub>  | Power = low  | –     | 5    | –                      | mA      |   |
| SID278  | I <sub>OUT_MAX_HI</sub>  | Power = high   | 4     | –    | –                      | mA      | V <sub>DDA</sub> = 1.71 V, 500 mV from rail       |
| SID279  | I <sub>OUT_MAX_MID</sub> | Power = medium   | 4     | –    | –                      | mA      |   |
| SID280  | I <sub>OUT_MAX_LO</sub>  | Power = low  | –     | 2    | –                      | mA      |   |
| SID281  | V <sub>IN</sub>          | Input voltage range  | –0.05 | –    | V <sub>DDA</sub> – 0.2 | V       | Charge-pump on, V <sub>DDA</sub> ≥ 2.7 V          |
| SID282  | V <sub>CM</sub>          | Input common mode voltage  | –0.05 | –    | V <sub>DDA</sub> – 0.2 | V       | Charge-pump on, V <sub>DDA</sub> ≥ 2.7 V          |
| SID283  | V <sub>OUT_1</sub>       | Power = high, I <sub>load</sub> =10 mA   | 0.5   | –    | V <sub>DDA</sub> – 0.5 | V       | V <sub>DDA</sub> ≥ 2.7 V                          |
| SID284  | V <sub>OUT_2</sub>       | Power = high, I <sub>load</sub> =1 mA  | 0.2   | –    | V <sub>DDA</sub> – 0.2 | V       |   |
| SID285  | V <sub>OUT_3</sub>       | Power = medium, I <sub>load</sub> =1 mA  | 0.2   | –    | V <sub>DDA</sub> – 0.2 | V       |   |
| SID286  | V <sub>OUT_4</sub>       | Power = low, I <sub>load</sub> =0.1mA  | 0.2   | –    | V <sub>DDA</sub> – 0.2 | V       |   |
| SID288  | V <sub>OS_TR</sub>       | Offset voltage, trimmed  | 1     | ±0.5 | 1                      | mV      | High mode   |
| SID288A | V <sub>OS_TR</sub>       | Offset voltage, trimmed  | –     | ±1   | –                      | mV      | Medium mode                                       |
| SID288B | V <sub>OS_TR</sub>       | Offset voltage, trimmed  | –     | ±2   | –                      | mV      | Low mode  |
| SID290  | V <sub>OS_DR_TR</sub>    | Offset voltage drift, trimmed  | –10   | ±3   | 10                     | μV/C    | High mode   |
| SID290A | V <sub>OS_DR_TR</sub>    | Offset voltage drift, trimmed  | –     | ±10  | –                      | μV/C    | Medium mode                                       |
| SID290B | V <sub>OS_DR_TR</sub>    | Offset voltage drift, trimmed  | –     | ±10  | –                      | μV/C    | Low mode  |
| SID291  | CMRR                     | DC Common mode rejection ratio. High-power mode. Common Mode voltage range from 0.5 V to V <sub>DDA</sub> - 0.5 V. | 60    | 70   | –                      | dB      | V <sub>DDD</sub> = 3.6 V                          |
| SID292  | PSRR                     | At 1 kHz, 100 mV ripple  | 70    | 85   | –                      | dB      | V <sub>DDD</sub> = 3.6 V                          |
| SID293  | V <sub>N1</sub>          | Input referred noise, 1 Hz - 1GHz, power = high  | –     | 94   | –                      | μVrms   | –   |
| SID294  | V <sub>N2</sub>          | Input referred noise, 1 kHz, power = high  | –     | 72   | –                      | nV/rtHz | –   |
| SID295  | V <sub>N3</sub>          | Input referred noise, 10 kHz, power = high   | –     | 28   | –                      | nV/rtHz | –   |
| SID296  | V <sub>N4</sub>          | Input referred noise, 100 kHz, power = high  | –     | 15   | –                      | nV/rtHz | –   |
| SID297  | C <sub>load</sub>        | Stable up to maximum load. Performance specs at 50 pF.   | –     | –    | 125                    | pF      | –   |

**Table 11. Opamp Specifications (continued)**

(Guaranteed by Characterization)

| Spec ID   | Parameter        | Description  | Min | Typ  | Max | Unit         | Details/Conditions  |
|---|------------------|--|-----|------|-----|--------------|---|
| SID298  | Slew_rate        | Clload = 50 pF, Power = High, $V_{DDA} \geq 2.7$ V | 6   | –    | –   | V/ $\mu$ sec | –   |
| SID299  | T_op_wake        | From disable to enable, no external RC dominating  | –   | 25   | –   | $\mu$ sec    | –   |
| SID300  | T <sub>PD1</sub> | Response time; power = high                        | –   | 150  | –   | nsec         | Comparator mode;<br>50 mV drive, Trise = Tfall<br>(approx.) |
| SID301  | T <sub>PD2</sub> | Response time;<br>power = medium                   | –   | 400  | –   | nsec         |   |
| SID302  | T <sub>PD3</sub> | Response time; power = low                         | –   | 2000 | –   | nsec         |   |
| SID303  | Vhyst_op         | Hysteresis   | –   | 10   | –   | mV           |   |
| <b>Deep Sleep Mode:</b>   |                  |  |     |      |     |              |   |
| Mode 2 is lowest current range. Mode 1 has higher GBW. Deep Sleep mode. $V_{DDA} \geq 2.7$ V. |                  |  |     |      |     |              |   |
| SID_DS_1  | IDD_HI_M1        | Mode 1, High current                               | –   | 1400 | –   | $\mu$ A      | 25 °C   |
| SID_DS_2  | IDD_MED_M1       | Mode 1, Medium current                             | –   | 700  | –   | $\mu$ A      | 25 °C   |
| SID_DS_3  | IDD_LOW_M1       | Mode 1, Low current                                | –   | 200  | –   | $\mu$ A      | 25 °C   |
| SID_DS_4  | IDD_HI_M2        | Mode 2, High current                               | –   | 120  | –   | $\mu$ A      | 25 °C   |
| SID_DS_5  | IDD_MED_M2       | Mode 2, Medium current                             | –   | 60   | –   | $\mu$ A      | 25 °C   |
| SID_DS_6  | IDD_LOW_M2       | Mode 2, Low current                                | –   | 15   | –   | $\mu$ A      | 25 °C   |
| SID_DS_7  | GBW_HI_M1        | Mode 1, High current                               | –   | 4    | –   | MHz          | 25 °C   |
| SID_DS_8  | GBW_MED_M1       | Mode 1, Medium current                             | –   | 2    | –   | MHz          | 25 °C   |
| SID_DS_9  | GBW_LOW_M1       | Mode 1, Low current                                | –   | 0.5  | –   | MHz          | 25 °C   |
| SID_DS_10   | GBW_HI_M2        | Mode 2, High current                               | –   | 0.5  | –   | MHz          | 20-pF load, no DC load<br>0.2 V to $V_{DDA}-1.5$ V          |
| SID_DS_11   | GBW_MED_M2       | Mode 2, Medium current                             | –   | 0.2  | –   | MHz          | 20-pF load, no DC load<br>0.2 V to $V_{DDA}-1.5$ V          |
| SID_DS_12   | GBW_LOW_M2       | Mode 2, Low current                                | –   | 0.1  | –   | MHz          | 20-pF load, no DC load<br>0.2 V to $V_{DDA}-1.5$ V          |
| SID_DS_13   | VOS_HI_M1        | Mode 1, High current                               | –   | 5    | –   | mV           | With trim 25 °C, 0.2 V to<br>$V_{DDA}-1.5$ V                |
| SID_DS_14   | VOS_MED_M1       | Mode 1, Medium current                             | –   | 5    | –   | mV           | With trim 25 °C, 0.2 V to<br>$V_{DDA}-1.5$ V                |
| SID_DS_15   | VOS_LOW_M1       | Mode 1, Low current                                | –   | 5    | –   | mV           | With trim 25 °C, 0.2 V to<br>$V_{DDA}-1.5$ V                |
| SID_DS_16   | VOS_HI_M2        | Mode 2, High current                               | –   | 5    | –   | mV           | With trim 25 °C, 0.2 V to<br>$V_{DDA}-1.5$ V                |
| SID_DS_17   | VOS_MED_M2       | Mode 2, Medium current                             | –   | 5    | –   | mV           | With trim 25 °C, 0.2 V to<br>$V_{DDA}-1.5$ V                |
| SID_DS_18   | VOS_LOW_M2       | Mode 2, Low current                                | –   | 5    | –   | mV           | With trim 25 °C, 0.2 V to<br>$V_{DDA}-1.5$ V                |
| SID_DS_19   | IOUT_HI_M1       | Mode 1, High current                               | –   | 10   | –   | mA           | Output is 0.5 V to<br>$V_{DDA}-0.5$ V                       |
| SID_DS_20   | IOUT_MED_M1      | Mode 1, Medium current                             | –   | 10   | –   | mA           | Output is 0.5 V to<br>$V_{DDA}-0.5$ V                       |
| SID_DS_21   | IOUT_LOW_M1      | Mode 1, Low current                                | –   | 4    | –   | mA           | Output is 0.5 V to<br>$V_{DDA}-0.5$ V                       |
| SID_DS_22   | IOUT_HI_M2       | Mode 2, High current                               | –   | 1    | –   | mA           | Output is 0.5 V to<br>$V_{DDA}-0.5$ V                       |

**Table 11. Opamp Specifications (continued)**

(Guaranteed by Characterization)

| Spec ID   | Parameter   | Description            | Min | Typ | Max | Unit | Details/Conditions                 |
|-----------|-------------|------------------------|-----|-----|-----|------|------------------------------------|
| SID_DS_23 | IOUT_MED_M2 | Mode 2, Medium current | –   | 1   | –   | mA   | Output is 0.5 V to $V_{DDA}-0.5$ V |
| SID_DS_24 | IOUT_LOW_M2 | Mode 2, Low current    | –   | 0.5 | –   | mA   | Output is 0.5 V to $V_{DDA}-0.5$ V |

**Comparator**
**Table 12. Comparator DC Specifications**

| Spec ID | Parameter     | Description   | Min | Typ      | Max            | Unit       | Details/Conditions                                   |
|---------|---------------|---|-----|----------|----------------|------------|--|
| SID85   | $V_{OFFSET2}$ | Input offset voltage, Common Mode voltage range from 0 to $V_{DD}-1$  | –   | –        | $\pm 4$        | mV         | –  |
| SID85A  | $V_{OFFSET3}$ | Input offset voltage. Ultra low-power mode ( $V_{DDD} \geq 2.2$ V for Temp < 0 °C, $V_{DDD} \geq 1.8$ V for Temp > 0 °C)  | –   | $\pm 12$ | –              | mV         | –  |
| SID86   | $V_{HYST}$    | Hysteresis when enabled, Common Mode voltage range from 0 to $V_{DD}-1$ .   | –   | 10       | 35             | mV         | Guaranteed by characterization                       |
| SID87   | $V_{ICM1}$    | Input common mode voltage in normal mode  | 0   | –        | $V_{DDD}-0.1$  | V          | Modes 1 and 2.                                       |
| SID247  | $V_{ICM2}$    | Input common mode voltage in low power mode ( $V_{DDD} \geq 2.2$ V for Temp < 0 °C, $V_{DDD} \geq 1.8$ V for Temp > 0 °C) | 0   | –        | $V_{DDD}$      | V          | –  |
| SID247A | $V_{ICM3}$    | Input common mode voltage in ultra low power mode   | 0   | –        | $V_{DDD}-1.15$ | V          | –  |
| SID88   | CMRR          | Common mode rejection ratio   | 50  | –        | –              | dB         | $V_{DDD} \geq 2.7$ V. Guaranteed by characterization |
| SID88A  | CMRR          | Common mode rejection ratio   | 42  | –        | –              | dB         | $V_{DDD} < 2.7$ V. Guaranteed by characterization    |
| SID89   | $I_{CMP1}$    | Block current, normal mode  | –   | –        | 400            | $\mu$ A    | Guaranteed by characterization                       |
| SID248  | $I_{CMP2}$    | Block current, low power mode   | –   | –        | 100            | $\mu$ A    | Guaranteed by characterization                       |
| SID259  | $I_{CMP3}$    | Block current, ultra low power mode ( $V_{DDD} \geq 2.2$ V for Temp < 0 °C, $V_{DDD} \geq 1.8$ V for Temp > 0 °C)         | –   | 6        | 28             | $\mu$ A    | Guaranteed by characterization                       |
| SID90   | $Z_{CMP}$     | DC input impedance of comparator  | 35  | –        | –              | M $\Omega$ | Guaranteed by characterization                       |

**Table 13. Comparator AC Specifications**

(Guaranteed by Characterization)

| Spec ID | Parameter          | Description  | Min | Typ | Max | Unit | Details/Conditions |
|---------|--------------------|--|-----|-----|-----|------|--------------------|
| SID91   | T <sub>RESP1</sub> | Response time, normal mode   | –   | –   | 110 | ns   | 50-mV overdrive    |
| SID258  | T <sub>RESP2</sub> | Response time, low power mode  | –   | –   | 200 | ns   | 50-mV overdrive    |
| SID92   | T <sub>RESP3</sub> | Response time, ultra low power mode (V <sub>DDD</sub> ≥ 2.2 V for Temp < 0 °C, V <sub>DDD</sub> ≥ 1.8 V for Temp > 0 °C) | –   | –   | 15  | μs   | 200-mV overdrive   |

Temperature Sensor

**Table 14. Temperature Sensor Specifications**

| Spec ID | Parameter            | Description                 | Min | Typ | Max | Unit | Details/Conditions |
|---------|----------------------|-----------------------------|-----|-----|-----|------|--------------------|
| SID93   | T <sub>SENSACC</sub> | Temperature sensor accuracy | –5  | ±1  | +5  | °C   | –40 to +105 °C     |

SAR ADC

**Table 15. SAR ADC DC Specifications**

| Spec ID | Parameter | Description                        | Min             | Typ | Max              | Unit | Details/Conditions                   |
|---------|-----------|------------------------------------|-----------------|-----|------------------|------|--------------------------------------|
| SID94   | A_RES     | Resolution                         | –               | –   | 12               | bits | –                                    |
| SID95   | A_CHNIS_S | Number of channels - single ended  | –               | –   | 16               | –    | 8 full speed                         |
| SID96   | A-CHNKS_D | Number of channels - differential  | –               | –   | 8                | –    | Diff inputs use neighboring I/O      |
| SID97   | A-MONO    | Monotonicity                       | –               | –   | –                | –    | Yes. Based on characterization.      |
| SID98   | A_GAINERR | Gain error                         | –               | –   | ±0.1             | %    | With external reference              |
| SID99   | A_OFFSET  | Input offset voltage               | –               | –   | 2                | mV   | Measured with 1-V V <sub>REF</sub> . |
| SID100  | A_ISAR    | Current consumption                | –               | –   | 1                | mA   | –                                    |
| SID101  | A_VINS    | Input voltage range - single ended | V <sub>SS</sub> | –   | V <sub>DDA</sub> | V    | Based on device characterization     |
| SID102  | A_VIND    | Input voltage range - differential | V <sub>SS</sub> | –   | V <sub>DDA</sub> | V    | Based on device characterization     |
| SID103  | A_INRES   | Input resistance                   | –               | –   | 2.2              | kΩ   | Based on device characterization     |
| SID104  | A_INCAP   | Input capacitance                  | –               | –   | 10               | pF   | Based on device characterization     |



**Table 16. SAR ADC AC Specifications**

(Guaranteed by Characterization)

| Spec ID | Parameter            | Description   | Min  | Typ | Max   | Unit | Details/Conditions  |
|---------|----------------------|---|------|-----|-------|------|---|
| SID106  | A_PSRR               | Power supply rejection ratio                                | 70   | –   | –     | dB   | –   |
| SID107  | A_CMRR               | Common mode rejection ratio                                 | 66   | –   | –     | dB   | Measured at 1 V   |
| SID108  | A_SAMP_1             | Sample rate with external reference bypass cap              | –    | –   | 1     | MspS | –   |
| SID108A | A_SAMP_2             | Sample rate with no bypass cap. Reference = V <sub>DD</sub> | –    | –   | 1     | MspS | –   |
| SID108B | A_SAMP_3             | Sample rate with no bypass cap. Internal reference          | –    | –   | 100   | KspS | –   |
| SID109  | A_SNDR               | Signal-to-noise and distortion ratio (SINAD)                | 66   | –   | –     | dB   | F <sub>IN</sub> = 10 kHz  |
| SID111  | A_INL <sup>[4]</sup> | Integral non linearity                                      | –1.4 | –   | +1.4  | LSB  | V <sub>DD</sub> = 1.71 to 5.5, 1 MspS, V <sub>ref</sub> = 1 to 5.5                |
| SID111A | A_INL                | Integral non linearity                                      | –1.4 | –   | +1.4  | LSB  | V <sub>DD</sub> = 1.71 to 3.6, 1 MspS, V <sub>ref</sub> = 1.71 to V <sub>DD</sub> |
| SID111B | A_INL                | Integral non linearity                                      | –1.4 | –   | +1.4  | LSB  | V <sub>DD</sub> = 1.71 to 5.5, 500 KspS, V <sub>ref</sub> = 1 to 5.5              |
| SID112  | A_DNL <sup>[4]</sup> | Differential non linearity                                  | –0.9 | –   | +1.35 | LSB  | V <sub>DD</sub> = 1.71 to 5.5, 1 MspS, V <sub>ref</sub> = 1 to 5.5                |
| SID112A | A_DNL                | Differential non linearity                                  | –0.9 | –   | +1.35 | LSB  | V <sub>DD</sub> = 1.71 to 3.6, 1 MspS, V <sub>ref</sub> = 1.71 to V <sub>DD</sub> |
| SID112B | A_DNL                | Differential non linearity                                  | –0.9 | –   | +1.35 | LSB  | V <sub>DD</sub> = 1.71 to 5.5, 500 KspS, V <sub>ref</sub> = 1 to 5.5              |
| SID113  | A_THD                | Total harmonic distortion                                   | –    | –   | –65   | dB   | F <sub>IN</sub> = 10 kHz  |

### CSD

**Table 17. CSD Block Specification**

| Spec ID           | Parameter  | Description   | Min  | Typ   | Max | Unit  | Details/Conditions                                  |
|-------------------|------------|---|------|-------|-----|-------|---|
| CSD Specification |            |   |      |       |     |       |   |
| SID308            | VCSD       | Voltage range of operation  | 1.71 | –     | 5.5 | V     | –   |
| SID309            | IDAC1      | DNL for 8-bit resolution  | –1   | –     | 1   | LSB   | –   |
| SID310            | IDAC1      | INL for 8-bit resolution  | –3   | –     | 3   | LSB   | –   |
| SID311            | IDAC2      | DNL for 7-bit resolution  | –1   | –     | 1   | LSB   | –   |
| SID312            | IDAC2      | INL for 7-bit resolution  | –3   | –     | 3   | LSB   | –   |
| SID313            | SNR        | Ratio of counts of finger to noise. Guaranteed by characterization. | 5    | –     | –   | Ratio | Capacitance range of 9 to 35 pF, 0.1 pF sensitivity |
| SID314            | IDAC1_CRT1 | Output current of Idac1 (8-bits) in High range                      | –    | 612   | –   | μA    | –   |
| SID314A           | IDAC1_CRT2 | Output current of Idac1 (8-bits) in Low range                       | –    | 306   | –   | μA    | –   |
| SID315            | IDAC2_CRT1 | Output current of Idac2 (7-bits) in High range                      | –    | 304.8 | –   | μA    | –   |
| SID315A           | IDAC2_CRT2 | Output current of Idac2 (7-bits) in Low range                       | –    | 152.4 | –   | μA    | –   |

**Note**

4. Refer to <http://www.cypress.com/knowledge-base-article/definitions-inl-and-dnl-adc> for INL and DNL explanation.

## Digital Peripherals

The following specifications apply to the Timer/Counter/PWM peripheral in timer mode.

Timer/Counter/PWM

**Table 18. TCPWM Specifications**

(Guaranteed by Characterization)

| Spec ID      | Parameter | Description                                      | Min              | Typ | Max            | Units | Details/Conditions   |
|--------------|-----------|--|------------------|-----|----------------|-------|--|
| SID.TCPWM.1  | ITCPWM1   | Block current consumption at 3 MHz               | –                | –   | 45             | μA    | All modes (Timer/Counter/PWM)  |
| SID.TCPWM.2  | ITCPWM2   | Block current consumption at 12 MHz              | –                | –   | 155            | μA    | All modes (Timer/Counter/PWM)  |
| SID.TCPWM.2A | ITCPWM3   | Block current consumption at 48 MHz              | –                | –   | 650            | μA    | All modes (Timer/Counter/PWM)  |
| SID.TCPWM.3  | TCPWMFREQ | Operating frequency                              | –                | –   | F <sub>c</sub> | MHz   | F <sub>c</sub> max = F <sub>cpu</sub> .<br>Maximum = 24 MHz  |
| SID.TCPWM.4  | TPWMENEXT | Input Trigger Pulse Width for all Trigger Events | 2/F <sub>c</sub> | –   | –              | ns    | Trigger Events can be Stop, Start, Reload, Count, Capture, or Kill depending on which mode of operation is selected. |
| SID.TCPWM.5  | TPWMEXT   | Output Trigger Pulse widths                      | 2/F <sub>c</sub> | –   | –              | ns    | Minimum possible width of Overflow, Underflow, and CC (Counter equals Compare value) trigger outputs                 |
| SID.TCPWM.5A | TCRES     | Resolution of Counter                            | 1/F <sub>c</sub> | –   | –              | ns    | Minimum time between successive counts   |
| SID.TCPWM.5B | PWMRES    | PWM Resolution                                   | 1/F <sub>c</sub> | –   | –              | ns    | Minimum pulse width of PWM Output  |
| SID.TCPWM.5C | QRES      | Quadrature inputs resolution                     | 1/F <sub>c</sub> | –   | –              | ns    | Minimum pulse width between Quadrature phase inputs.   |

$I^2C$

**Table 19. Fixed I<sup>2</sup>C DC Specifications**

(Guaranteed by Characterization)

| Spec ID | Parameter         | Description                                 | Min | Typ | Max | Unit | Details/Conditions |
|---------|-------------------|---|-----|-----|-----|------|--------------------|
| SID149  | I <sub>I2C1</sub> | Block current consumption at 100 kHz        | –   | –   | 50  | μA   | –                  |
| SID150  | I <sub>I2C2</sub> | Block current consumption at 400 kHz        | –   | –   | 135 | μA   | –                  |
| SID151  | I <sub>I2C3</sub> | Block current consumption at 1 Mbps         | –   | –   | 310 | μA   | –                  |
| SID152  | I <sub>I2C4</sub> | I <sup>2</sup> C enabled in Deep Sleep mode | –   | –   | 1.4 | μA   | –                  |

**Table 20. Fixed I<sup>2</sup>C AC Specifications**

(Guaranteed by Characterization)

| Spec ID | Parameter         | Description | Min | Typ | Max | Unit | Details/Conditions |
|---------|-------------------|-------------|-----|-----|-----|------|--------------------|
| SID153  | F <sub>I2C1</sub> | Bit rate    | –   | –   | 1   | Mbps | –                  |

*LCD Direct Drive*
**Table 21. LCD Direct Drive DC Specifications**

(Guaranteed by Characterization)

| Spec ID | Parameter      | Description                               | Min | Typ | Max  | Unit          | Details/Conditions                  |
|---------|----------------|---|-----|-----|------|---------------|-------------------------------------|
| SID154  | $I_{LCDLOW}$   | Operating current in low power mode       | –   | 5   | –    | $\mu\text{A}$ | 16 × 4 small segment disp. at 50 Hz |
| SID155  | $C_{LDCAP}$    | LCD capacitance per segment/common driver | –   | 500 | 5000 | pF            | Guaranteed by Design                |
| SID156  | $LCD_{OFFSET}$ | Long-term segment offset                  | –   | 20  | –    | mV            | –                                   |
| SID157  | $I_{LCDOP1}$   | PWM Mode current. 5-V bias. 24-MHz IMO    | –   | 0.6 | –    | mA            | 32 × 4 segments. 50 Hz, 25 °C       |
| SID158  | $I_{LCDOP2}$   | PWM Mode current. 3.3-V bias. 24-MHz IMO. | –   | 0.5 | –    | mA            | 32 × 4 segments. 50 Hz, 25 °C       |

**Table 22. LCD Direct Drive AC Specifications**

(Guaranteed by Characterization)

| Spec ID | Parameter | Description    | Min | Typ | Max | Unit | Details/Conditions |
|---------|-----------|----------------|-----|-----|-----|------|--------------------|
| SID159  | $F_{LCD}$ | LCD frame rate | 10  | 50  | 150 | Hz   | –                  |

**Table 23. Fixed UART DC Specifications**

(Guaranteed by Characterization)

| Spec ID | Parameter   | Description                                 | Min | Typ | Max | Unit          | Details/Conditions |
|---------|-------------|---|-----|-----|-----|---------------|--------------------|
| SID160  | $I_{UART1}$ | Block current consumption at 100 Kbits/sec  | –   | –   | 55  | $\mu\text{A}$ | –                  |
| SID161  | $I_{UART2}$ | Block current consumption at 1000 Kbits/sec | –   | –   | 312 | $\mu\text{A}$ | –                  |

**Table 24. Fixed UART AC Specifications**

(Guaranteed by Characterization)

| Spec ID | Parameter  | Description | Min | Typ | Max | Unit | Details/Conditions |
|---------|------------|-------------|-----|-----|-----|------|--------------------|
| SID162  | $F_{UART}$ | Bit rate    | –   | –   | 1   | Mbps | –                  |

*SPI Specifications*
**Table 25. Fixed SPI DC Specifications**

(Guaranteed by Characterization)

| Spec ID | Parameter  | Description                             | Min | Typ | Max | Unit          | Details/Conditions |
|---------|------------|---|-----|-----|-----|---------------|--------------------|
| SID163  | $I_{SPI1}$ | Block current consumption at 1 Mbts/sec | –   | –   | 360 | $\mu\text{A}$ | –                  |
| SID164  | $I_{SPI2}$ | Block current consumption at 4 Mbts/sec | –   | –   | 560 | $\mu\text{A}$ | –                  |
| SID165  | $I_{SPI3}$ | Block current consumption at 8 Mbts/sec | –   | –   | 600 | $\mu\text{A}$ | –                  |

**Table 26. Fixed SPI AC Specifications**

(Guaranteed by Characterization)

| Spec ID | Parameter | Description                                       | Min | Typ | Max | Units | Details/Conditions |
|---------|-----------|---|-----|-----|-----|-------|--------------------|
| SID166  | $F_{SPI}$ | SPI operating frequency (master; 6X oversampling) | –   | –   | 8   | MHz   | –                  |

**Table 27. Fixed SPI Master mode AC Specifications**

(Guaranteed by Characterization)

| Spec ID | Parameter        | Description  | Min | Typ | Max | Unit |
|---------|------------------|--|-----|-----|-----|------|
| SID167  | T <sub>DMO</sub> | MOSI valid after Sclock driving edge   | –   | –   | 15  | ns   |
| SID168  | T <sub>DSI</sub> | MISO valid before Sclock capturing edge. Full clock, late MISO Sampling used | 20  | –   | –   | ns   |
| SID169  | T <sub>HMO</sub> | Previous MOSI data hold time with respect to capturing edge at Slave         | 0   | –   | –   | ns   |

**Table 28. Fixed SPI Slave mode AC Specifications**

(Guaranteed by Characterization)

| Spec ID | Parameter            | Description   | Min | Typ | Max               | Unit |
|---------|----------------------|---|-----|-----|-------------------|------|
| SID170  | T <sub>DMI</sub>     | MOSI valid before Sclock capturing edge                 | 40  | –   | –                 | ns   |
| SID171  | T <sub>DSO</sub>     | MISO valid after Sclock driving edge                    | –   | –   | 42 + 3 × (1/FCPU) | ns   |
| SID171A | T <sub>DSO_ext</sub> | MISO valid after Sclock driving edge in Ext. Clock mode | –   | –   | 48                | ns   |
| SID172  | T <sub>HSO</sub>     | Previous MISO data hold time                            | 0   | –   | –                 | ns   |
| SID172A | T <sub>SSELSCK</sub> | SSEL Valid to first SCK Valid edge                      | 100 | –   | –                 | ns   |

## Memory

**Table 29. Flash DC Specifications**

| Spec ID | Parameter       | Description               | Min  | Typ | Max | Unit | Details/Conditions |
|---------|-----------------|---------------------------|------|-----|-----|------|--------------------|
| SID173  | V <sub>PE</sub> | Erase and program voltage | 1.71 | –   | 5.5 | V    | –                  |

**Table 30. Flash AC Specifications**

| Spec ID | Parameter                       | Description  | Min   | Typ | Max | Unit    | Details/Conditions             |
|---------|---------------------------------|--|-------|-----|-----|---------|--------------------------------|
| SID174  | T <sub>ROWWRITE</sub>           | Row (block) write time (erase and program)   | –     | –   | 20  | ms      | Row (block) = 128 bytes        |
| SID175  | T <sub>ROWERASE</sub>           | Row erase time   | –     | –   | 13  | ms      | –                              |
| SID176  | T <sub>ROWPROGRAM</sub>         | Row program time after erase   | –     | –   | 7   | ms      | –                              |
| SID178  | T <sub>BULKERASE</sub>          | Bulk erase time (128 KB)   | –     | –   | 35  | ms      | –                              |
| SID179  | T <sub>SECTORERASE</sub>        | Sector erase time (8 KB)   | –     | –   | 15  | ms      | –                              |
| SID180  | T <sub>DEVPROG</sub>            | Total device program time  | –     | –   | 15  | seconds | Guaranteed by characterization |
| SID181  | F <sub>END</sub>                | Flash endurance  | 100 K | –   | –   | cycles  | Guaranteed by characterization |
| SID182  | F <sub>RET</sub>                | Flash retention. T <sub>A</sub> ≤ 55 °C, 100 K P/E cycles.   | 20    | –   | –   | years   | Guaranteed by characterization |
| SID182A | F <sub>RET</sub> <sup>[5]</sup> | Flash retention. T <sub>A</sub> ≤ 85 °C, 10 K P/E cycles.  | 10    | –   | –   | years   | Guaranteed by characterization |
| SID182B | F <sub>RET</sub> <sup>[5]</sup> | Flash retention. T <sub>A</sub> ≤ 105 °C, 10 K P/E cycles, ≤ three years at T <sub>A</sub> ≥ 85 °C | 10    | 20  | –   | years   | Guaranteed by characterization |

**Note**

5. Cypress provides a retention calculator to calculate the retention lifetime based on customers' individual temperature profiles for operation over the –40 °C to +105 °C ambient temperature range. Contact the regional FAEs for assistance.

## System Resources

*Power-on-Reset (POR) with Brown Out*

**Table 31. Imprecise Power On Reset (PRES)**

| Spec ID | Parameter             | Description          | Min  | Typ | Max  | Unit | Details/Conditions             |
|---------|-----------------------|----------------------|------|-----|------|------|--------------------------------|
| SID185  | V <sub>RISEIPOR</sub> | Rising trip voltage  | 0.80 | –   | 1.45 | V    | Guaranteed by characterization |
| SID186  | V <sub>FALLIPOR</sub> | Falling trip voltage | 0.75 | –   | 1.4  | V    | Guaranteed by characterization |
| SID187  | V <sub>IPORHYST</sub> | Hysteresis           | 15   | –   | 200  | mV   | Guaranteed by characterization |

**Table 32. Precise Power On Reset (POR)**

| Spec ID | Parameter              | Description                                | Min  | Typ | Max | Unit | Details/Conditions             |
|---------|------------------------|--|------|-----|-----|------|--------------------------------|
| SID190  | V <sub>FALLPPOR</sub>  | BOD trip voltage in active and sleep modes | 1.64 | –   | –   | V    | Guaranteed by characterization |
| SID192  | V <sub>FALLDPSLP</sub> | BOD trip voltage in Deep Sleep             | 1.4  | –   | –   | V    | Guaranteed by characterization |

*Voltage Monitors*

**Table 33. Voltage Monitors DC Specifications**

| Spec ID | Parameter          | Description              | Min  | Typ  | Max  | Unit | Details/Conditions             |
|---------|--------------------|--------------------------|------|------|------|------|--------------------------------|
| SID195  | V <sub>LVI1</sub>  | LVI_A/D_SEL[3:0] = 0000b | 1.71 | 1.75 | 1.79 | V    | –                              |
| SID196  | V <sub>LVI2</sub>  | LVI_A/D_SEL[3:0] = 0001b | 1.76 | 1.80 | 1.85 | V    | –                              |
| SID197  | V <sub>LVI3</sub>  | LVI_A/D_SEL[3:0] = 0010b | 1.85 | 1.90 | 1.95 | V    | –                              |
| SID198  | V <sub>LVI4</sub>  | LVI_A/D_SEL[3:0] = 0011b | 1.95 | 2.00 | 2.05 | V    | –                              |
| SID199  | V <sub>LVI5</sub>  | LVI_A/D_SEL[3:0] = 0100b | 2.05 | 2.10 | 2.15 | V    | –                              |
| SID200  | V <sub>LVI6</sub>  | LVI_A/D_SEL[3:0] = 0101b | 2.15 | 2.20 | 2.26 | V    | –                              |
| SID201  | V <sub>LVI7</sub>  | LVI_A/D_SEL[3:0] = 0110b | 2.24 | 2.30 | 2.36 | V    | –                              |
| SID202  | V <sub>LVI8</sub>  | LVI_A/D_SEL[3:0] = 0111b | 2.34 | 2.40 | 2.46 | V    | –                              |
| SID203  | V <sub>LVI9</sub>  | LVI_A/D_SEL[3:0] = 1000b | 2.44 | 2.50 | 2.56 | V    | –                              |
| SID204  | V <sub>LVI10</sub> | LVI_A/D_SEL[3:0] = 1001b | 2.54 | 2.60 | 2.67 | V    | –                              |
| SID205  | V <sub>LVI11</sub> | LVI_A/D_SEL[3:0] = 1010b | 2.63 | 2.70 | 2.77 | V    | –                              |
| SID206  | V <sub>LVI12</sub> | LVI_A/D_SEL[3:0] = 1011b | 2.73 | 2.80 | 2.87 | V    | –                              |
| SID207  | V <sub>LVI13</sub> | LVI_A/D_SEL[3:0] = 1100b | 2.83 | 2.90 | 2.97 | V    | –                              |
| SID208  | V <sub>LVI14</sub> | LVI_A/D_SEL[3:0] = 1101b | 2.93 | 3.00 | 3.08 | V    | –                              |
| SID209  | V <sub>LVI15</sub> | LVI_A/D_SEL[3:0] = 1110b | 3.12 | 3.20 | 3.28 | V    | –                              |
| SID210  | V <sub>LVI16</sub> | LVI_A/D_SEL[3:0] = 1111b | 4.39 | 4.50 | 4.61 | V    | –                              |
| SID211  | LVI_IDD            | Block current            | –    | –    | 100  | μA   | Guaranteed by characterization |

**Table 34. Voltage Monitors AC Specifications**

| Spec ID | Parameter            | Description               | Min | Typ | Max | Unit | Details/Conditions             |
|---------|----------------------|---------------------------|-----|-----|-----|------|--------------------------------|
| SID212  | T <sub>MONTRIP</sub> | Voltage monitor trip time | –   | –   | 1   | μs   | Guaranteed by characterization |

## SWD Interface

**Table 35. SWD Interface Specifications**

| Spec ID | Parameter    | Description                                   | Min        | Typ | Max       | Unit | Details/Conditions                    |
|---------|--------------|---|------------|-----|-----------|------|---------------------------------------|
| SID213  | F_SWDCLK1    | $3.3\text{ V} \leq V_{DD} \leq 5.5\text{ V}$  | –          | –   | 14        | MHz  | SWDCLK $\leq$ 1/3 CPU clock frequency |
| SID214  | F_SWDCLK2    | $1.71\text{ V} \leq V_{DD} \leq 3.3\text{ V}$ | –          | –   | 7         | MHz  | SWDCLK $\leq$ 1/3 CPU clock frequency |
| SID215  | T_SWDI_SETUP | $T = 1/f$ SWDCLK                              | $0.25 * T$ | –   | –         | ns   | Guaranteed by characterization        |
| SID216  | T_SWDI_HOLD  | $T = 1/f$ SWDCLK                              | $0.25 * T$ | –   | –         | ns   | Guaranteed by characterization        |
| SID217  | T_SWDO_VALID | $T = 1/f$ SWDCLK                              | –          | –   | $0.5 * T$ | ns   | Guaranteed by characterization        |
| SID217A | T_SWDO_HOLD  | $T = 1/f$ SWDCLK                              | 1          | –   | –         | ns   | Guaranteed by characterization        |

## Internal Main Oscillator

**Table 36. IMO DC Specifications**

(Guaranteed by Design)

| Spec ID | Parameter         | Description                     | Min | Typ | Max  | Unit | Details/Conditions |
|---------|-------------------|---------------------------------|-----|-----|------|------|--------------------|
| SID218  | I <sub>IMO1</sub> | IMO operating current at 48 MHz | –   | –   | 1000 | μA   | –                  |
| SID219  | I <sub>IMO2</sub> | IMO operating current at 24 MHz | –   | –   | 325  | μA   | –                  |
| SID220  | I <sub>IMO3</sub> | IMO operating current at 12 MHz | –   | –   | 225  | μA   | –                  |
| SID221  | I <sub>IMO4</sub> | IMO operating current at 6 MHz  | –   | –   | 180  | μA   | –                  |
| SID222  | I <sub>IMO5</sub> | IMO operating current at 3 MHz  | –   | –   | 150  | μA   | –                  |

**Table 37. IMO AC Specifications**

| Spec ID | Parameter               | Description                          | Min | Typ | Max | Unit | Details/Conditions                                       |
|---------|-------------------------|--------------------------------------|-----|-----|-----|------|--|
| SID223  | F <sub>IMOTOL1</sub>    | Frequency variation from 3 to 48 MHz | –   | –   | ±2  | %    | ±3% if T <sub>A</sub> > 85 °C and IMO frequency < 24 MHz |
| SID226  | T <sub>STARTIMO</sub>   | IMO startup time                     | –   | –   | 12  | μs   | –  |
| SID227  | T <sub>JITRMSIMO1</sub> | RMS Jitter at 3 MHz                  | –   | 156 | –   | ps   | –  |
| SID228  | T <sub>JITRMSIMO2</sub> | RMS Jitter at 24 MHz                 | –   | 145 | –   | ps   | –  |
| SID229  | T <sub>JITRMSIMO3</sub> | RMS Jitter at 48 MHz                 | –   | 139 | –   | ps   | –  |

## Internal Low-Speed Oscillator

**Table 38. ILO DC Specifications**

(Guaranteed by Design)

| Spec ID | Parameter            | Description                     | Min | Typ | Max  | Unit | Details/Conditions             |
|---------|----------------------|---------------------------------|-----|-----|------|------|--------------------------------|
| SID231  | I <sub>ILO1</sub>    | ILO operating current at 32 kHz | –   | 0.3 | 1.05 | μA   | Guaranteed by Characterization |
| SID233  | I <sub>ILOLEAK</sub> | ILO leakage current             | –   | 2   | 15   | nA   | Guaranteed by Design           |

**Table 39. ILO AC Specifications**

| Spec ID | Parameter              | Description              | Min | Typ | Max | Unit | Details/Conditions                                    |
|---------|------------------------|--------------------------|-----|-----|-----|------|---|
| SID234  | T <sub>STARTILO1</sub> | ILO startup time         | –   | –   | 2   | ms   | Guaranteed by characterization                        |
| SID236  | T <sub>ILODUTY</sub>   | ILO duty cycle           | 40  | 50  | 60  | %    | Guaranteed by characterization                        |
| SID237  | F <sub>ILOTRIM1</sub>  | 32-kHz trimmed frequency | 15  | 32  | 50  | kHz  | Max ILO frequency is 70 kHz if T <sub>A</sub> > 85 °C |

**Table 40. External Clock Specifications**

| Spec ID | Parameter  | Description                               | Min | Typ | Max | Unit | Details/Conditions             |
|---------|------------|---|-----|-----|-----|------|--------------------------------|
| SID305  | ExtClkFreq | External Clock input Frequency            | 0   | –   | 48  | MHz  | Guaranteed by characterization |
| SID306  | ExtClkDuty | Duty cycle; Measured at V <sub>DD/2</sub> | 45  | –   | 55  | %    | Guaranteed by characterization |

**Table 41. Watch Crystal Oscillator (WCO) Specifications**

| Spec ID                            | Parameter           | Description  | Min  | Typ    | Max  | Unit | Details/Conditions             |
|------------------------------------|---------------------|--|------|--------|------|------|--------------------------------|
| <b>IMO WCO-PLL Calibrated Mode</b> |                     |  |      |        |      |      |                                |
| SID330                             | IMO <sub>WCO1</sub> | Frequency variation with IMO set to 3 MHz          | –0.6 | –      | 0.6  | %    | Does not include WCO tolerance |
| SID331                             | IMO <sub>WCO2</sub> | Frequency variation with IMO set to 5 MHz          | –0.4 | –      | 0.4  | %    | Does not include WCO tolerance |
| SID332                             | IMO <sub>WCO3</sub> | Frequency variation with IMO set to 7 MHz or 9 MHz | –0.3 | –      | 0.3  | %    | Does not include WCO tolerance |
| SID333                             | IMO <sub>WCO4</sub> | All other IMO frequency settings                   | –0.2 | –      | 0.2  | %    | Does not include WCO tolerance |
| <b>WCO Specifications</b>          |                     |  |      |        |      |      |                                |
| SID398                             | F <sub>WCO</sub>    | Crystal frequency                                  | –    | 32.768 |      | kHz  | –                              |
| SID399                             | F <sub>TOL</sub>    | Frequency tolerance                                | –    | 50     | 250  | ppm  | With 20-ppm crystal.           |
| SID400                             | ESR                 | Equivalent series resistance                       | –    | 50     | –    | kΩ   | –                              |
| SID401                             | PD                  | Drive level  | –    | –      | 1    | μW   | –                              |
| SID402                             | T <sub>START</sub>  | Startup time                                       | –    | –      | 500  | ms   | –                              |
| SID403                             | C <sub>L</sub>      | Crystal load capacitance                           | 6    | –      | 12.5 | pF   | –                              |
| SID404                             | C <sub>0</sub>      | Crystal shunt capacitance                          | –    | 1.35   | –    | pF   | –                              |
| SID405                             | I <sub>WCO1</sub>   | Operating current (high power mode)                | –    | –      | 8    | μA   | –                              |



**Table 42. UDB AC Specifications**

(Guaranteed by Characterization)

| Spec ID                            | Parameter                 | Description   | Min | Typ | Max | Unit | Details/Conditions |
|------------------------------------|---------------------------|---|-----|-----|-----|------|--------------------|
| <b>Datapath Performance</b>        |                           |   |     |     |     |      |                    |
| SID249                             | F <sub>MAX-TIMER</sub>    | Max frequency of 16-bit timer in a UDB pair         | –   | –   | 48  | MHz  | –                  |
| SID250                             | F <sub>MAX-ADDER</sub>    | Max frequency of 16-bit adder in a UDB pair         | –   | –   | 48  | MHz  | –                  |
| SID251                             | F <sub>MAX_CRC</sub>      | Max frequency of 16-bit CRC/PRS in a UDB pair       | –   | –   | 48  | MHz  | –                  |
| <b>PLD Performance in UDB</b>      |                           |   |     |     |     |      |                    |
| SID252                             | F <sub>MAX_PLD</sub>      | Max frequency of 2-pass PLD function in a UDB pair  | –   | –   | 48  | MHz  | –                  |
| <b>Clock to Output Performance</b> |                           |   |     |     |     |      |                    |
| SID253                             | T <sub>CLK_OUT_UBD1</sub> | Prop. delay for clock in to data out at 25 °C, Typ. | –   | 15  | –   | ns   | –                  |
| SID254                             | T <sub>CLK_OUT_UBD2</sub> | Prop. delay for clock in to data out, Worst case.   | –   | 25  | –   | ns   | –                  |

**Table 43. Block Specs**

| Spec ID               | Parameter              | Description   | Min | Typ | Max | Unit    | Details/Conditions   |
|-----------------------|------------------------|---|-----|-----|-----|---------|--|
| SID256 <sup>[6]</sup> | T <sub>WS48</sub>      | Number of wait states at 48 MHz                       | 2   | –   | –   |         | CPU execution from Flash   |
| SID257 <sup>[6]</sup> | T <sub>WS24</sub>      | Number of wait states at 24 MHz                       | 1   | –   | –   |         | CPU execution from Flash   |
| SID260                | V <sub>REFSAR</sub>    | Trimmed internal reference to SAR                     | –1  | –   | +1  | %       | Percentage of V <sub>bg</sub> (1.024 V). Guaranteed by characterization. |
| SID261                | F <sub>SARINTREF</sub> | SAR operating speed without external reference bypass | –   | –   | 100 | ksps    | 12-bit resolution. Guaranteed by characterization.                       |
| SID262                | T <sub>CLKSWITCH</sub> | Clock switching from clk1 to clk2 in clk1 periods     | 3   | –   | 4   | Periods | Guaranteed by design   |

**Table 44. UDB Port Adaptor Specifications**

 (Based on LPC Component Specs, Guaranteed by Characterization -10-pF load, 3-V  $V_{DDIO}$  and  $V_{DDD}$ )

| Spec ID | Parameter        | Description                           | Min | Typ | Max | Unit | Details/Conditions |
|---------|------------------|---------------------------------------|-----|-----|-----|------|--------------------|
| SID263  | $T_{LCLKDO}$     | LCLK to output delay                  | –   | –   | 18  | ns   | –                  |
| SID264  | $T_{DINLCLK}$    | Input setup time to LCLK rising edge  | –   | –   | 7   | ns   | –                  |
| SID265  | $T_{DINLCLKHLD}$ | Input hold time from LCLK rising edge | 0   | –   | –   | ns   | –                  |
| SID266  | $T_{LCLKHIZ}$    | LCLK to output tristated              | –   | –   | 28  | ns   | –                  |
| SID267  | $T_{FLCLK}$      | LCLK frequency                        | –   | –   | 33  | MHz  | –                  |
| SID268  | $T_{LCLKDUTY}$   | LCLK duty cycle (percentage high)     | 40  | –   | 60  | %    | –                  |

**Table 45. CAN Specifications**

| Spec ID | Parameter | Description                     | Min | Typ | Max | Unit    | Details/Conditions |
|---------|-----------|---------------------------------|-----|-----|-----|---------|--------------------|
| SID420  | IDD_CAN   | Block current consumption       | –   | –   | 200 | $\mu$ A | –                  |
| SID421  | CAN_bits  | CAN Bit rate (Min. 8 MHz clock) | –   | –   | 1   | Mbit/s  | –                  |

**Note**

6. Tws48 and Tws24 are guaranteed by Design.

## Ordering Information

Table 46 lists the PSoC 4200M family part numbers and features.

**Table 46. Ordering Information**

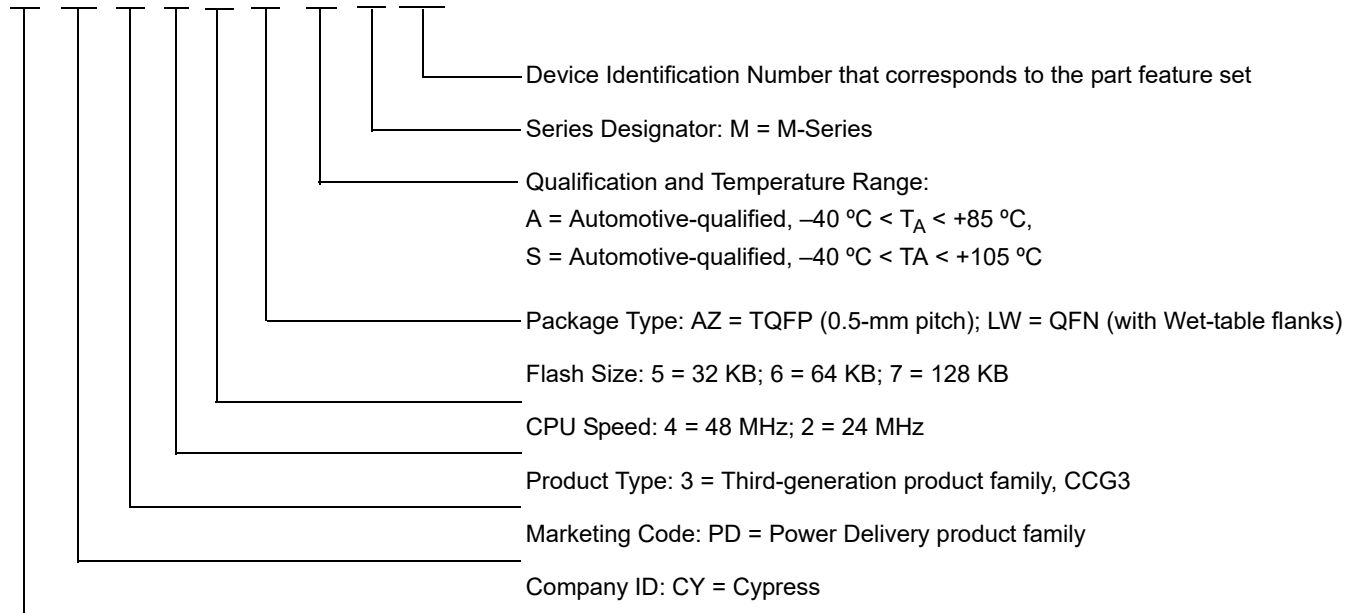
| Category | MPN              | Features            |            |           |     |              |          |                  |                |                |             |            |     |      | Package |                       |              | Temperature Range |                |
|----------|------------------|---------------------|------------|-----------|-----|--------------|----------|------------------|----------------|----------------|-------------|------------|-----|------|---------|-----------------------|--------------|-------------------|----------------|
|          |                  | Max CPU Speed (MHz) | Flash (KB) | SRAM (KB) | UDB | Opamp (CTBm) | CapSense | Direct LCD Drive | 12-bit SAR ADC | LP Comparators | TPWM Blocks | SCB Blocks | CAN | GPIO | 48-TQFP | 64-TQFP (0.5mm pitch) | 56-QFN (W/F) | -40 to +85 °C     | -40 to +105 °C |
| 4245     | CY8C4245AZA-M443 | 48                  | 32         | 4         | 4   | 2            | ✓        | ✓                | 1000 ksps      | 2              | 8           | 4          | -   | 38   | ✓       | -                     | -            | ✓                 | -              |
|          | CY8C4245AZA-M445 | 48                  | 32         | 4         | 4   | 2            | ✓        | ✓                | 1000 ksps      | 2              | 8           | 4          | -   | 51   | -       | ✓                     | -            | ✓                 | -              |
| 4246     | CY8C4246AZA-M443 | 48                  | 64         | 8         | 4   | 2            | ✓        | ✓                | 1000 ksps      | 2              | 8           | 4          | -   | 38   | ✓       | -                     | -            | ✓                 | -              |
|          | CY8C4246AZA-M445 | 48                  | 64         | 8         | 4   | 2            | ✓        | ✓                | 1000 ksps      | 2              | 8           | 4          | -   | 51   | -       | ✓                     | -            | ✓                 | -              |
| 4247     | CY8C4247LWA-M464 | 48                  | 128        | 16        | 4   | 4            | ✓        | ✓                | 1000 ksps      | 2              | 8           | 4          | -   | 46   | -       | -                     | ✓            | ✓                 | -              |
|          | CY8C4247AZA-M475 | 48                  | 128        | 16        | 4   | 4            | -        | ✓                | 1000 ksps      | 2              | 8           | 4          | -   | 51   | -       | ✓                     | -            | ✓                 | -              |
|          | CY8C4247AZA-M483 | 48                  | 128        | 16        | 4   | 4            | ✓        | ✓                | 1000 ksps      | 2              | 8           | 4          | 2   | 38   | ✓       | -                     | -            | ✓                 | -              |
|          | CY8C4247AZA-M485 | 48                  | 128        | 16        | 4   | 4            | ✓        | ✓                | 1000 ksps      | 2              | 8           | 4          | 2   | 51   | -       | ✓                     | -            | ✓                 | -              |
|          | CY8C4247LWA-M484 | 48                  | 128        | 16        | 4   | 4            | ✓        | ✓                | 1000 ksps      | 2              | 8           | 4          | 2   | 46   | -       | -                     | ✓            | ✓                 | -              |
| 4245     | CY8C4245AZS-M443 | 48                  | 32         | 4         | 4   | 2            | ✓        | ✓                | 1000 ksps      | 2              | 8           | 4          | -   | 38   | ✓       | -                     | -            | -                 | ✓              |
|          | CY8C4245AZS-M445 | 48                  | 32         | 4         | 4   | 2            | ✓        | ✓                | 1000 ksps      | 2              | 8           | 4          | -   | 51   | -       | ✓                     | -            | -                 | ✓              |
| 4246     | CY8C4246AZS-M443 | 48                  | 64         | 8         | 4   | 2            | ✓        | ✓                | 1000 ksps      | 2              | 8           | 4          | -   | 38   | ✓       | -                     | -            | -                 | ✓              |
|          | CY8C4246AZS-M445 | 48                  | 64         | 8         | 4   | 2            | ✓        | ✓                | 1000 ksps      | 2              | 8           | 4          | -   | 51   | -       | ✓                     | -            | -                 | ✓              |
| 4247     | CY8C4247LWS-M464 | 48                  | 128        | 16        | 4   | 4            | ✓        | ✓                | 1000 ksps      | 2              | 8           | 4          | -   | 46   | -       | -                     | ✓            | -                 | ✓              |
|          | CY8C4247AZS-M475 | 48                  | 128        | 16        | 4   | 4            | -        | ✓                | 1000 ksps      | 2              | 8           | 4          | -   | 51   | -       | ✓                     | -            | -                 | ✓              |
|          | CY8C4247AZS-M483 | 48                  | 128        | 16        | 4   | 4            | ✓        | ✓                | 1000 ksps      | 2              | 8           | 4          | 2   | 38   | ✓       | -                     | -            | -                 | ✓              |
|          | CY8C4247AZS-M485 | 48                  | 128        | 16        | 4   | 4            | ✓        | ✓                | 1000 ksps      | 2              | 8           | 4          | 2   | 51   | -       | ✓                     | -            | -                 | ✓              |
|          | CY8C4247LWS-M484 | 48                  | 128        | 16        | 4   | 4            | ✓        | ✓                | 1000 ksps      | 2              | 8           | 4          | 2   | 46   | -       | -                     | ✓            | -                 | ✓              |

The nomenclature used in Table 46 is based on the following part numbering convention:

| Field | Description       | Values  | Meaning                                    |
|-------|-------------------|---------|--|
| CY8C  | Cypress Prefix    |         |  |
| 4     | Architecture      | 4       | PSoC 4                                     |
| A     | Family            | 2       | 4200 Family                                |
| B     | CPU Speed         | 4       | 48 MHz                                     |
| C     | Flash Capacity    | 5       | 32 KB                                      |
|       |                   | 6       | 64 KB                                      |
|       |                   | 7       | 128 KB                                     |
| DE    | Package Code      | AZ      | TQFP                                       |
|       |                   | LW      | QFN  |
| F     | Temperature Range | A       | AEC-Q100: -40 °C to +85 °C                 |
|       |                   | S       | AEC-Q100: -40 °C to +105 °C                |
| S     | Silicon Family    | N/A     | PSoC 4 Base Series                         |
|       |                   | M       | PSoC 4 M-Series                            |
| XYZ   | Attributes Code   | 000-999 | Code of feature set in the specific family |

### Ordering Code Definitions

CY 8C 4X X X XX X M XXX



## Packaging

Table 47 provides the description of the PSoC4200M package dimensions.

**Table 47. PSoC4200M Package Dimensions**

| Spec ID | Package     | Description  | Package Number |
|---------|-------------|--|----------------|
| PKG_2   | 64-pin TQFP | 64 TQFP, 10 mm × 10 mm × 1.4 mm height with 0.5 mm pitch | 51-85051       |
| PKG_5   | 48-pin TQFP | 48 TQFP, 7 mm × 7 mm × 1.4 mm height with 0.5 mm pitch   | 51-85135       |
| PKG_6   | 56-pin QFN  | 56 QFN, 8 mm × 8 mm × 1.0 mm height with 0.5 mm pitch    | 001-76517      |

**Table 48. Package Characteristics**

| Parameter       | Description   | Conditions          | Min | Typ  | Max    | Unit    |
|-----------------|---|---------------------|-----|------|--------|---------|
| T <sub>A</sub>  | Operating ambient temperature                       | For Grade-A devices | -40 | 25   | 85     | °C      |
|                 |   | For Grade-S devices | -40 | 25   | 105    | °C      |
| T <sub>J</sub>  | Operating junction temperature                      | For Grade-A devices | -40 | –    | 100    | °C      |
|                 |   | For Grade-S devices | -40 | –    | 109.25 | °C      |
| T <sub>JA</sub> | Package θ <sub>JA</sub> (64-pin TQFP, 0.5-mm pitch) | –                   | –   | 56   | –      | °C/Watt |
| T <sub>JC</sub> | Package θ <sub>JC</sub> (64-pin TQFP, 0.5-mm pitch) | –                   | –   | 19.5 | –      | °C/Watt |
| T <sub>JA</sub> | Package θ <sub>JA</sub> (48-pin TQFP, 0.5-mm pitch) | –                   | –   | 67.3 | –      | °C/Watt |
| T <sub>JC</sub> | Package θ <sub>JC</sub> (48-pin TQFP, 0.5-mm pitch) | –                   | –   | 30.4 | –      | °C/Watt |
| T <sub>JA</sub> | Package θ <sub>JA</sub> (56-pin QFN, 0.5-mm pitch)  | –                   | –   | 39.4 | –      | °C/Watt |
| T <sub>JC</sub> | Package θ <sub>JC</sub> (56-pin QFN, 0.5-mm pitch)  | –                   | –   | 3.58 | –      | °C/Watt |

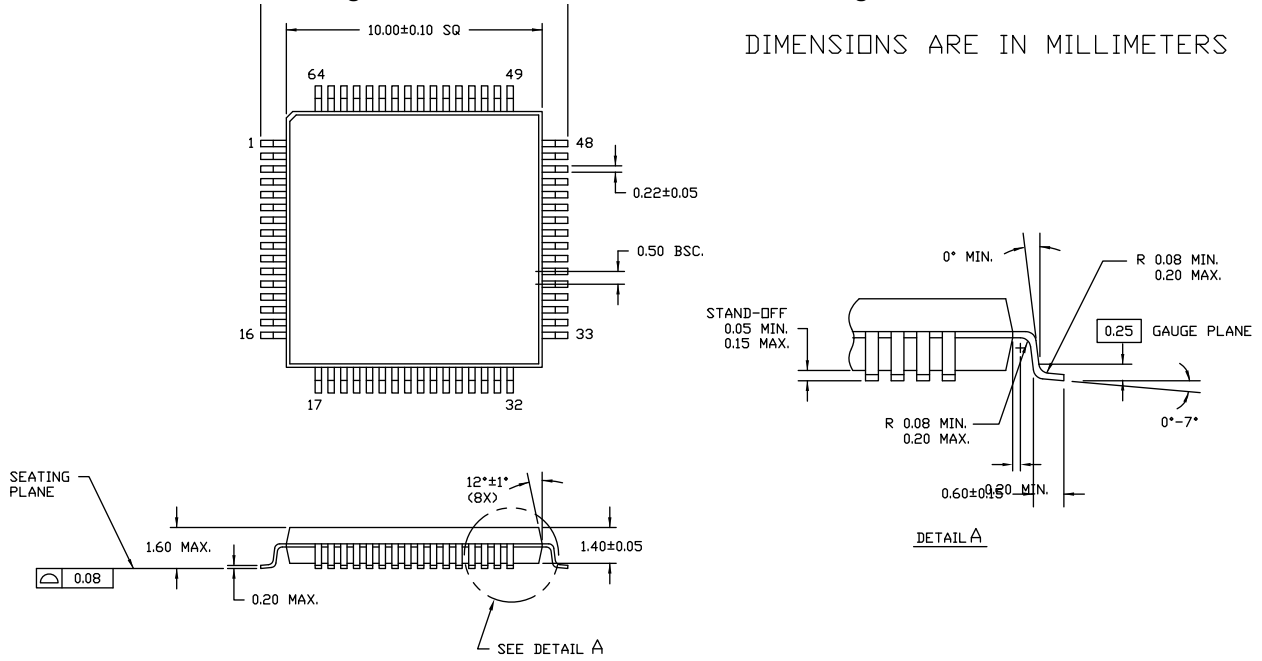
**Table 49. Solder Reflow Peak Temperature**

| Package      | Maximum Peak Temperature | Maximum Time at Peak Temperature |
|--------------|--------------------------|----------------------------------|
| All packages | 260 °C                   | 30 seconds                       |

**Table 50. Package Moisture Sensitivity Level (MSL), IPC/JEDEC J-STD-2**

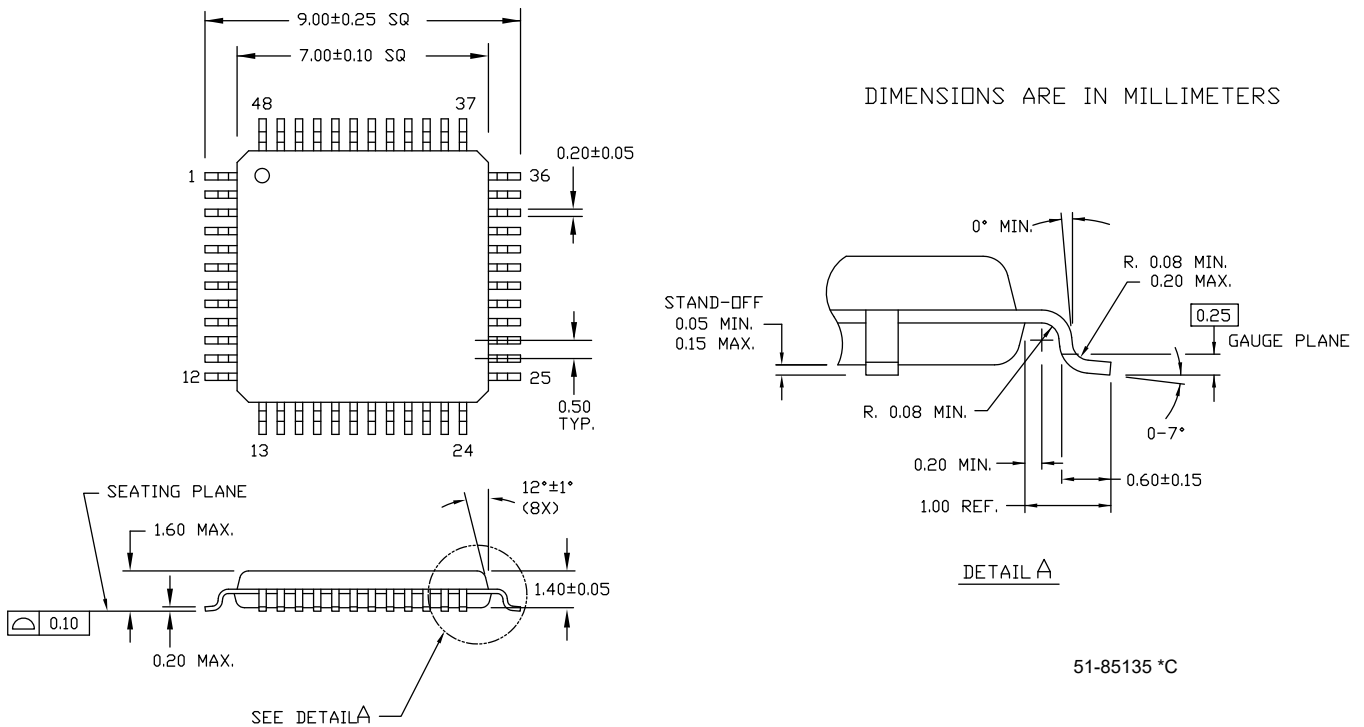
| Package      | MSL   |
|--------------|-------|
| All packages | MSL 3 |

**Figure 7. 64-Pin TQFP 10 × 10 × 1.4 mm Package Outline**



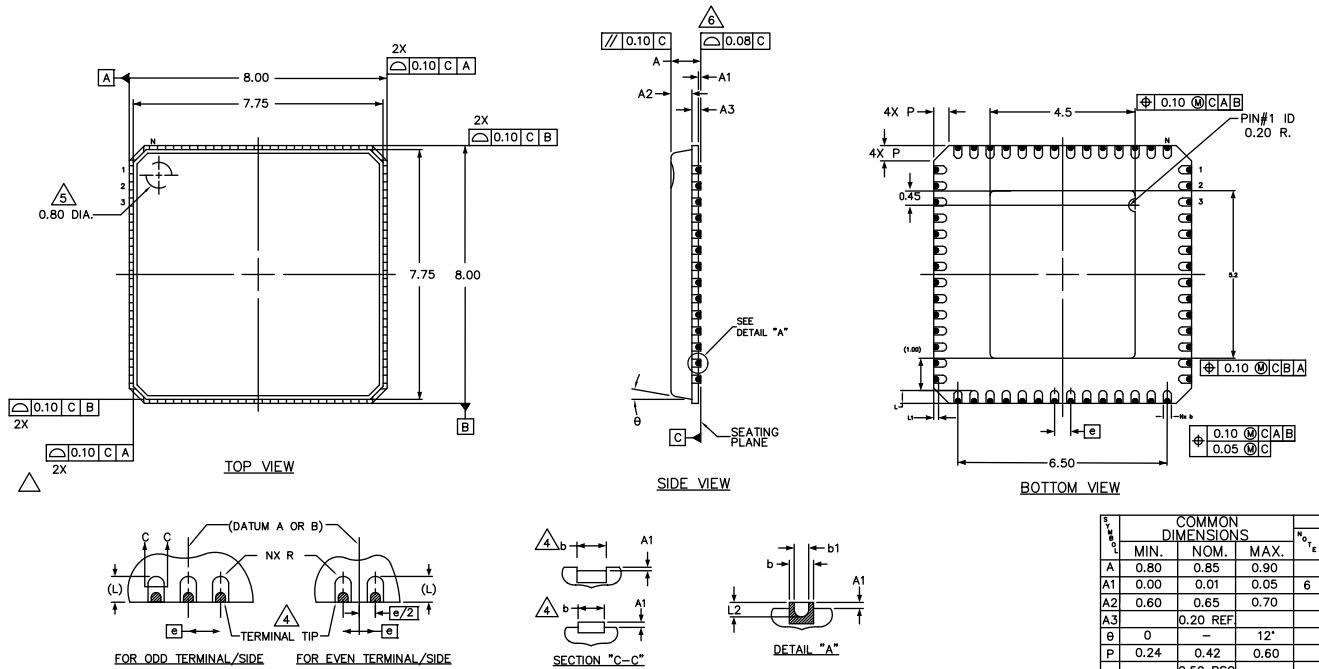
51-85051 \*D

**Figure 8. 48-Pin 7 × 7 × 1.4 mm TQFP Package Outline**



51-85135 \*C

Figure 9. 56L QFN 8 × 8 × 1.0 mm LW56 4.5 × 5.2 EPAD (Subcon Punch QFN, Wettable Flanks Package) Package Outline



| Symbol | COMMON DIMENSIONS |          |      | Units |
|--------|-------------------|----------|------|-------|
|        | MIN.              | NOM.     | MAX. |       |
| A      | 0.80              | 0.85     | 0.90 |       |
| A1     | 0.00              | 0.01     | 0.05 | 6     |
| A2     | 0.60              | 0.65     | 0.70 |       |
| A3     |                   | 0.20 REF |      |       |
| θ      | 0                 | -        | 12°  |       |
| P      | 0.24              | 0.42     | 0.60 |       |
| e      |                   | 0.50 BSC |      |       |
| N      |                   | 56       |      | 3     |
| L      | 0.30              | 0.40     | 0.50 |       |
| L1     | 0.05              | 0.15     | 0.25 |       |
| L2     | 0.05              | 0.10     | 0.15 |       |
| b      | 0.20              | 0.25     | 0.30 |       |
| b1     | 0.10              | 0.15     | 0.20 |       |

NOTES:

1. DIE THICKNESS ALLOWABLE IS 0.305mm MAXIMUM (0.012 INCHES MAXIMUM)
  2. DIMENSIONING & TOLERANCES CONFORM TO ASME Y14.5M. -1994.
  3. N IS THE NUMBER OF TERMINALS
- ⚠ DIMENSION b APPLIES TO PLATED TERMINAL AND IS MEASURED BETWEEN 0.15 AND 0.30mm FROM TERMINAL TIP.
- ⚠ THE PIN #1 IDENTIFIER MUST BE EXISTED ON THE TOP SURFACE OF THE PACKAGE BY USING INDENTATION MARK OR OTHER FEATURE OF PACKAGE BODY.
- ⚠ UNILATERAL COPLANARITY ZONE APPLIES TO THE EXPOSED PAD AS WELL AS THE TERMINALS

001-76517 \*A



## Acronyms

**Table 51. Acronyms Used in this Document**

| Acronym          | Description   |
|------------------|---|
| abus             | analog local bus  |
| ADC              | analog-to-digital converter   |
| AG               | analog global   |
| AHB              | AMBA (advanced microcontroller bus architecture) high-performance bus, an ARM data transfer bus |
| ALU              | arithmetic logic unit   |
| AMUXBUS          | analog multiplexer bus  |
| API              | application programming interface   |
| APSR             | application program status register   |
| ARM <sup>®</sup> | advanced RISC machine, a CPU architecture   |
| ATM              | automatic thump mode  |
| BW               | bandwidth   |
| CAN              | Controller Area Network, a communications protocol  |
| CMRR             | common-mode rejection ratio   |
| CPU              | central processing unit   |
| CRC              | cyclic redundancy check, an error-checking protocol   |
| DAC              | digital-to-analog converter, see also IDAC, VDAC  |
| DFB              | digital filter block  |
| DIO              | digital input/output, GPIO with only digital capabilities, no analog. See GPIO.                 |
| DMIPS            | Dhrystone million instructions per second   |
| DMA              | direct memory access, see also TD   |
| DNL              | differential nonlinearity, see also INL   |
| DNU              | do not use  |
| DR               | port write data registers   |
| DSI              | digital system interconnect   |
| DWT              | data watchpoint and trace   |
| ECC              | error correcting code   |
| ECO              | external crystal oscillator   |
| EEPROM           | electrically erasable programmable read-only memory   |
| EMI              | electromagnetic interference  |
| EMIF             | external memory interface   |
| EOC              | end of conversion   |
| EOF              | end of frame  |
| EPSR             | execution program status register   |
| ESD              | electrostatic discharge   |

**Table 51. Acronyms Used in this Document** (continued)

| Acronym                  | Description  |
|--------------------------|--|
| ETM                      | embedded trace macrocell                               |
| FIR                      | finite impulse response, see also IIR                  |
| FPB                      | flash patch and breakpoint                             |
| FS                       | full-speed   |
| GPIO                     | general-purpose input/output, applies to a PSoC pin    |
| HVI                      | high-voltage interrupt, see also LVI, LVD              |
| IC                       | integrated circuit                                     |
| IDAC                     | current DAC, see also DAC, VDAC                        |
| IDE                      | integrated development environment                     |
| I <sup>2</sup> C, or IIC | Inter-Integrated Circuit, a communications protocol    |
| IIR                      | infinite impulse response, see also FIR                |
| ILO                      | internal low-speed oscillator, see also IMO            |
| IMO                      | internal main oscillator, see also ILO                 |
| INL                      | integral nonlinearity, see also DNL                    |
| I/O                      | input/output, see also GPIO, DIO, SIO, USBIO           |
| IPOR                     | initial power-on reset                                 |
| IPSR                     | interrupt program status register                      |
| IRQ                      | interrupt request                                      |
| ITM                      | instrumentation trace macrocell                        |
| LCD                      | liquid crystal display                                 |
| LIN                      | Local Interconnect Network, a communications protocol. |
| LR                       | link register  |
| LUT                      | lookup table   |
| LVD                      | low-voltage detect, see also LVI                       |
| LVI                      | low-voltage interrupt, see also HVI                    |
| LVTTL                    | low-voltage transistor-transistor logic                |
| MAC                      | multiply-accumulate                                    |
| MCU                      | microcontroller unit                                   |
| MISO                     | master-in slave-out                                    |
| NC                       | no connect   |
| NMI                      | nonmaskable interrupt                                  |
| NRZ                      | non-return-to-zero                                     |
| NVIC                     | nested vectored interrupt controller                   |
| NVL                      | nonvolatile latch, see also WOL                        |
| opamp                    | operational amplifier                                  |
| PAL                      | programmable array logic, see also PLD                 |
| PC                       | program counter  |
| PCB                      | printed circuit board                                  |

**Table 51. Acronyms Used in this Document** *(continued)*

| Acronym           | Description  |
|-------------------|--|
| PGA               | programmable gain amplifier                                  |
| PHUB              | peripheral hub   |
| PHY               | physical layer   |
| PICU              | port interrupt control unit                                  |
| PLA               | programmable logic array                                     |
| PLD               | programmable logic device, see also PAL                      |
| PLL               | phase-locked loop  |
| PMDD              | package material declaration data sheet                      |
| POR               | power-on reset   |
| PRES              | precise power-on reset                                       |
| PRS               | pseudo random sequence                                       |
| PS                | port read data register                                      |
| PSoC <sup>®</sup> | Programmable System-on-Chip™                                 |
| PSRR              | power supply rejection ratio                                 |
| PWM               | pulse-width modulator  |
| RAM               | random-access memory   |
| RISC              | reduced-instruction-set computing                            |
| RMS               | root-mean-square   |
| RTC               | real-time clock  |
| RTL               | register transfer language                                   |
| RTR               | remote transmission request                                  |
| RX                | receive  |
| SAR               | successive approximation register                            |
| SC/CT             | switched capacitor/continuous time                           |
| SCL               | I <sup>2</sup> C serial clock                                |
| SDA               | I <sup>2</sup> C serial data                                 |
| S/H               | sample and hold  |
| SINAD             | signal to noise and distortion ratio                         |
| SIO               | special input/output, GPIO with advanced features. See GPIO. |
| SOC               | start of conversion  |
| SOF               | start of frame   |
| SPI               | Serial Peripheral Interface, a communications protocol       |
| SR                | slew rate  |
| SRAM              | static random access memory                                  |
| SRES              | software reset   |
| SWD               | serial wire debug, a test protocol                           |
| SWV               | single-wire viewer   |
| TD                | transaction descriptor, see also DMA                         |

**Table 51. Acronyms Used in this Document** *(continued)*

| Acronym | Description  |
|---------|--|
| THD     | total harmonic distortion  |
| TIA     | transimpedance amplifier   |
| TRM     | technical reference manual   |
| TTL     | transistor-transistor logic  |
| TX      | transmit   |
| UART    | Universal Asynchronous Transmitter Receiver, a communications protocol |
| UDB     | universal digital block  |
| USB     | Universal Serial Bus   |
| USBIO   | USB input/output, PSoC pins used to connect to a USB port              |
| VDAC    | voltage DAC, see also DAC, IDAC  |
| WDT     | watchdog timer   |
| WOL     | write once latch, see also NVL   |
| WRES    | watchdog timer reset   |
| XRES    | external reset I/O pin   |
| XTAL    | crystal  |

## Document Conventions

### Units of Measure

**Table 52. Units of Measure**

| Symbol | Unit of Measure        |
|--------|------------------------|
| °C     | degrees Celsius        |
| dB     | decibel                |
| fF     | femto farad            |
| Hz     | hertz                  |
| KB     | 1024 bytes             |
| kbps   | kilobits per second    |
| Khr    | kilohour               |
| kHz    | kilohertz              |
| kΩ     | kilo ohm               |
| ksps   | kilosamples per second |
| LSB    | least significant bit  |
| Mbps   | megabits per second    |
| MHz    | megahertz              |
| MΩ     | mega-ohm               |
| Msps   | megasamples per second |
| μA     | microampere            |
| μF     | microfarad             |
| μH     | microhenry             |
| μs     | microsecond            |
| μV     | microvolt              |
| μW     | microwatt              |
| mA     | milliampere            |
| ms     | millisecond            |
| mV     | millivolt              |
| nA     | nanoampere             |
| ns     | nanosecond             |
| nV     | nanovolt               |
| Ω      | ohm                    |
| pF     | picofarad              |
| ppm    | parts per million      |
| ps     | picosecond             |
| s      | second                 |
| sps    | samples per second     |
| sqrtHz | square root of hertz   |
| V      | volt                   |

## Revision History

| Description Title: Automotive PSoC <sup>®</sup> 4: PSoC 4200M Family Datasheet, Programmable System-on-Chip (PSoC <sup>®</sup> )<br>Document Number: 002-09829 |         |                 |  |
|--|---------|-----------------|--|
| Revision   | ECN     | Submission Date | Description of Change  |
| **   | 5020952 | 11/19/2015      | New datasheet  |
| *A   | 5142819 | 02/18/2016      | Updated <a href="#">Features</a> , <a href="#">Pinouts</a> , <a href="#">Device Level Specifications</a> , and <a href="#">Ordering Information</a> .<br>Updated <a href="#">Table 15</a> , <a href="#">Table 30</a> , and <a href="#">Table 48</a> .<br>Added <a href="#">Figure 9</a> (spec 001-76517 *A) in <a href="#">Ordering Information</a> .<br>Updated Sales, Solutions, and Legal Information with new disclaimer and links.  |
| *B   | 5508775 | 11/03/2016      | Updated Copyright and Disclaimer.<br>Updated Package Options in <a href="#">Features</a> .<br>Updated <a href="#">More Information</a> , <a href="#">Ordering Information</a> , <a href="#">More Information</a> .<br>Updated <a href="#">Table 5</a> , <a href="#">Table 11</a> , <a href="#">Table 14</a> , <a href="#">Table 15</a> , <a href="#">Table 16</a> , <a href="#">Table 30</a> , <a href="#">Table 47</a> , and <a href="#">Table 48</a> .<br>Added Notes <a href="#">4</a> and <a href="#">5</a> .<br>Updated Copyright and Disclaimer. |
| *C   | 5631190 | 02/14/2017      | <b>DC Specifications:</b><br>Added temperature range for Sleep Mode.<br>Added specs for +105 °C for Deep Sleep and Hibernate modes.<br>Added SID182B.<br>Added conditions for SID223 and SID237.   |
| *D   | 5978198 | 11/28/2017      | Updated the Cypress logo.<br>Added the PSoC 6 link under <a href="#">PSoC<sup>®</sup> Solutions</a> .  |
| *E   | 6560860 | 04/29/2019      | Removed Preliminary status.<br>Removed Grade-E temperature range.  |
| *F   | 6751660 | 12/13/2019      | Updated Max. value for TJ in <a href="#">Table 47</a> .  |