

FIGURE B

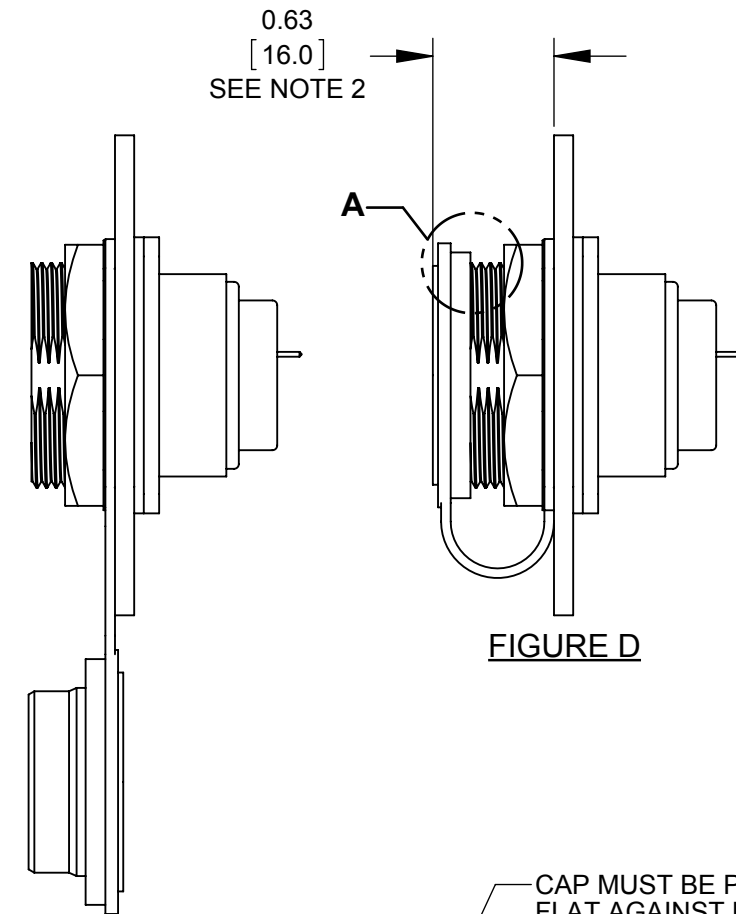
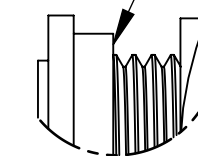


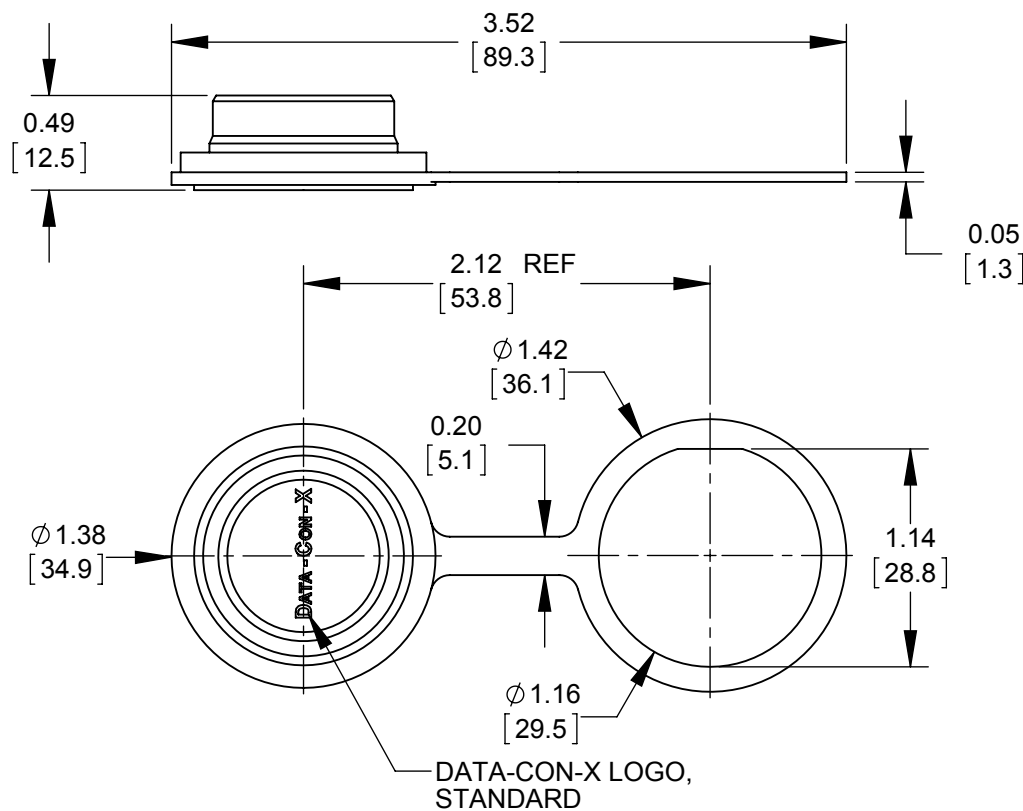
FIGURE C

FIGURE D

CAP MUST BE PRESSED FLAT AGAINST PANEL CONNECTOR TO SEAL.



DETAIL A SCALE 2 : 1



DIMENSIONS SHOWN FOR REFERENCE ONLY

DIMENSIONS IN BRACKET [] ARE METRIC.

RoHS COMPLIANT

NOTES:

1. D24295-WA CONTAINS ONE SEAL CAP AND ONE FLAT WASHER.
2. THE DIMENSION DOES NOT INCLUDE GASKET COMPRESSION.
3. INSTALL SEAL CAP ON THE CONNECTOR AS SHOWN IN FIGURE A. HEX NUT RECOMMENDED TORQUE: 8-10 lb-in [0.90 - 1.13 N-m].
4. MATERIAL: SEAL CAP - THERMOPLASTIC ELASTOMER, BLACK
WASHER - MYLAR, WHITE
5. UNLESS OTHERWISE SPECIFIED TOLERANCES:
TWO PLACE DECIMALS ±0.02 [±0.5]

CUSTOMER DRAWING

0A	JGK	8/27/15	DRAWING CREATED FOR DATA-CON-X IP CAP.		
REV.	INIT.	DATE	DESCRIPTION		
	JGK	8/27/15	ORIG. DRAWN BY: DATE: 8/27/15		
			CHECKED BY:		
			APPROVED BY:		
			SCALE	SIZE	SHEET
			1:1	B	1 OF 1
			FILE:	DIRECTORY:	PART NUMBER:
			SAME AS P/N	SLW	D24295-WA
			 601 E. WILDWOOD VILLA PARK, IL 60181		TITLE: PANEL SEAL CAP DATA-CON-X SERIES IP RATED CUSTOMER: STANDARD PRODUCT
					REV 0A