

**Surface Mount Attenuator**  
**50 Watts, 20dB**



**Description:**

The D50AA20Z4 is a high performance Alumina (Al<sub>2</sub>O<sub>3</sub>) Surface mount attenuator intended as a cost competitive alternative to Beryllium Oxide (BeO). The attenuator is well suited to all cellular frequency bands such as; AMPS, GSM, DCS, PCS, PHS and UMTS. The high power handling makes the part ideal for terminating circulators, and for use in power monitoring. The attenuator is also RoHS compliant!

**Features:**

- RoHS Compliant
- 50 Watts
- DC – 2300 MHz
- AlN Ceramic
- Non-Nichrome Resistive Element
- Low VSWR
- 100% Tested

**General Specifications:**

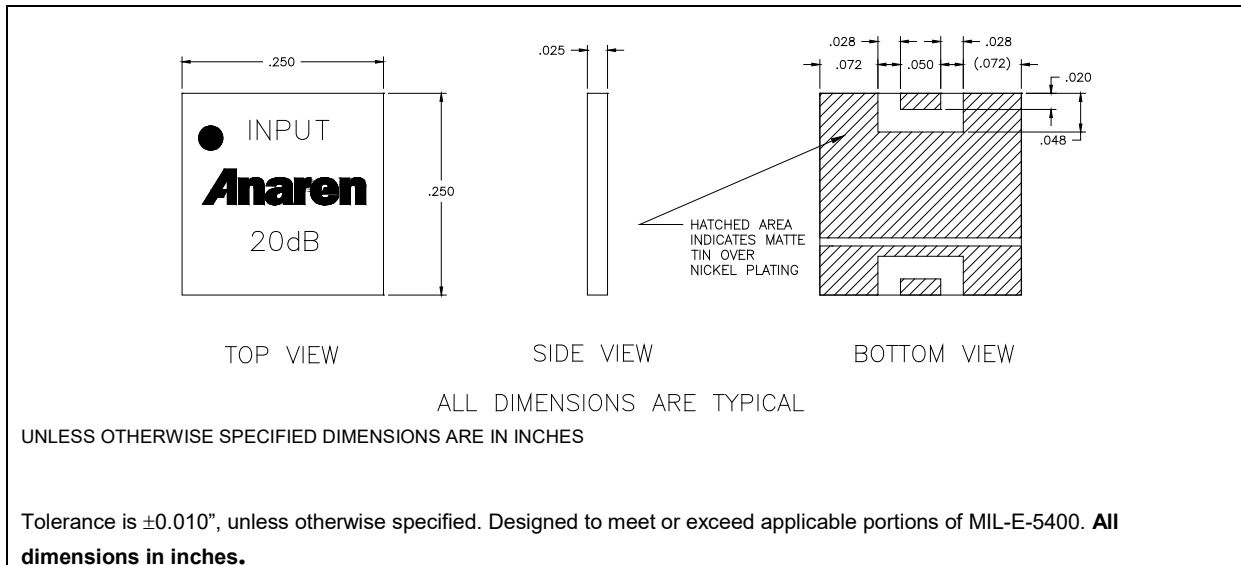
<b>Resistive Element</b>	Thick film
<b>Substrate</b>	Al <sub>2</sub> O <sub>3</sub> Ceramic
<b>Terminal Finish</b>	Matte Tin over Nickel Barrier
<b>Operating Temperature</b>	-55 to +200°C (see de rating chart)

**Electrical Specifications:**

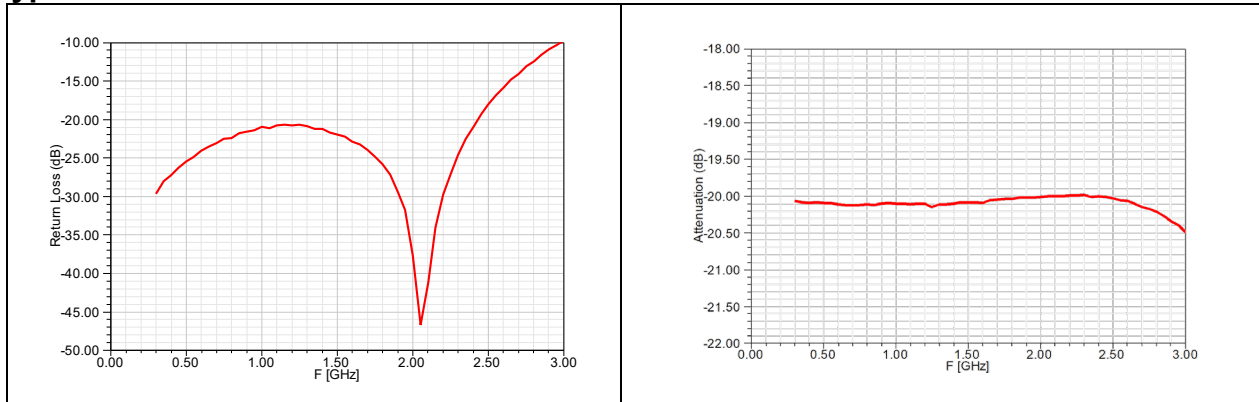
<b>Attenuation Value:</b>	20 dB ±0.5 dB
<b>Power:</b>	50 Watts
<b>Frequency Range:</b>	DC – 2300 MHz
<b>Input Return Loss:</b>	20 dB

Specification based on unit properly installed using suggested mounting instructions and a 50 ohm nominal impedance. **Specifications subject to change.**

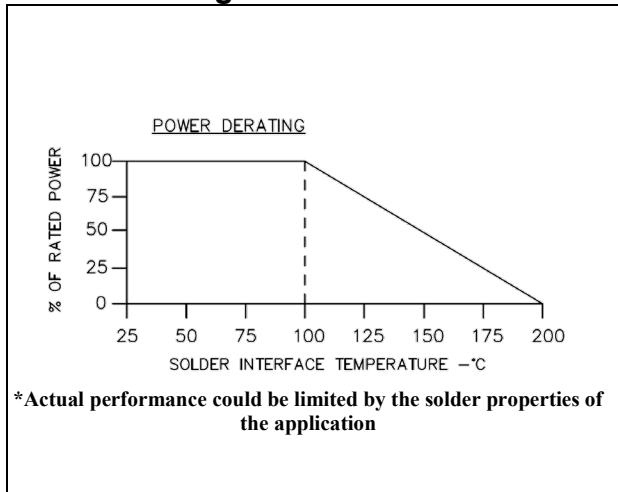
**Outline Drawing:**



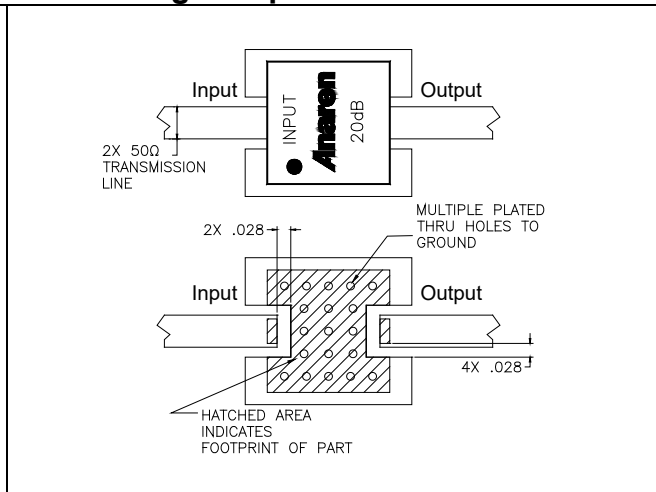
**Typical Performance:**



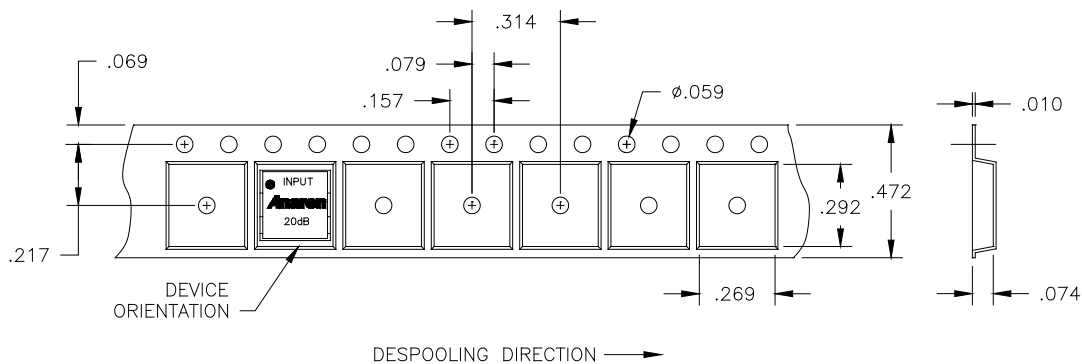
**Power de-rating:**



**Mounting Footprint:**



**Tape & Reel:**



Contact us:  
[rf&s\\_support@ttm.com](mailto:rf&s_support@ttm.com)