

DAS Above-Ceiling Antenna Holder

Resilient Antenna Support

Part# DASACHOLDER

Features



- Plastic to eliminate PIM concerns
 - Metal bracket isolated from rails.
- Easy installation to Ceiling Tile rails
 - Allows tile movement
 - Allows Access, Inspection
- 2.4 inch clearance
- Attaches to variety of antenna types
 - SISO, MIMO
- Strong, reliable connection. Antenna won't move under inadvertent force.

Applications

- DAS In-building installations
- Ideal for Sites in which visual impact is more important than antenna performance.
- Will not instigate PIM
- Fits over standard ceiling tiles.
- Optimized for use with Pulse DAS in-building antennas.

Confidential and Proprietary – Pulse Electronics – All Rights reserved – 2015

This document contains confidential and proprietary information of Pulse Electronics, Inc. (Pulse) and is protected by copyright, trade secret and other state and federal laws. Its receipt or possession does not convey any rights to reproduce, disclose its content, or to manufacture, use or sell anything it may describe. Reproduction, disclosure or use without specific written authorization of Pulse is strictly forbidden. Information subject to change without notice.

Pulse Worldwide Headquarters

12220 World Trade Drive
San Diego, CA 92128
USA

Tel: 1-858-674-8100
Fax: 1-858-674-8262

Larsen Brand Antennas

3611 NE 112th Ave
Vancouver, WA 98682
USA

Tel: 1-360-944-7551
Fax: 1-360-944-7556

Europe Headquarters

Pulse GmbH & Do, KG
Zeppelinstrasse 15
Herrenberg, Germany

Tel: 49 7032 7806 0
Fax: 49 7032 7806 135

Pulse (Suzhou) Wireless Products Co, Inc.

99 Huo Ju Road(#29 Bldg, 4th Phase
Suzhou New District
Science & Tech Industrial Park
Jiangsu Province, Suzhou 215009 PR China

Tel: 86 512 6807 9998
Fax: 86 512 6809 8023



Performance warranty of products offered in this data sheet is limited to the parameters specified. Other brand and product names mentioned herein may be trademarks or registered trademarks of their respective owners.
©Copyright, 2015. Pulse Electronics, Inc. All rights Reserved.

DAS Above-Ceiling Antenna Holder

Resilient Antenna Support

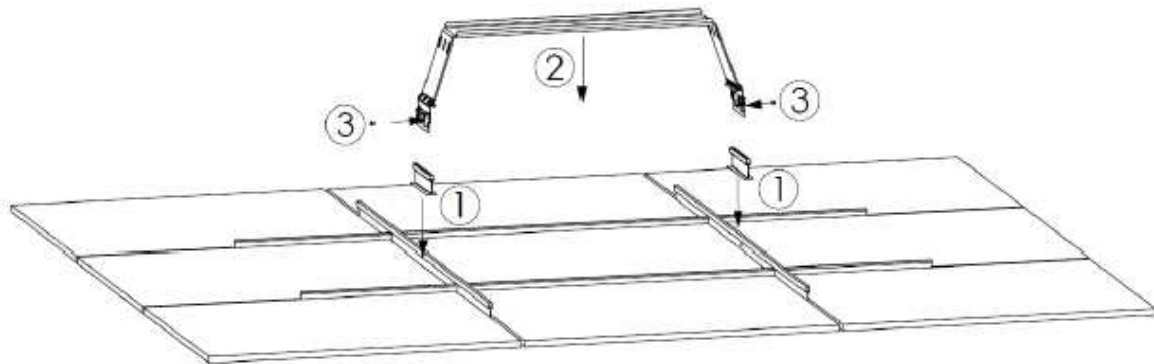
Part# DASACHOLDER

Typical Installation

MIMO Antenna



Bracket to Ceiling Tile Rail



Sample installation: 1. Assemble insulating labels on ceiling rails. 2. Snap lock holder to ceiling rails.
3. Secure installation with 2pcs Nylon screws