

Proximity Sensors Capacitive Accessories Mounting Bracket



- Designed for DR 10..
- Inner diameter: 30 mm

Product Description

Mounting bracket for capacitive proximity switches types DR 10..

Ordering Key

DB 1

Mounting bracket
Inner diameter

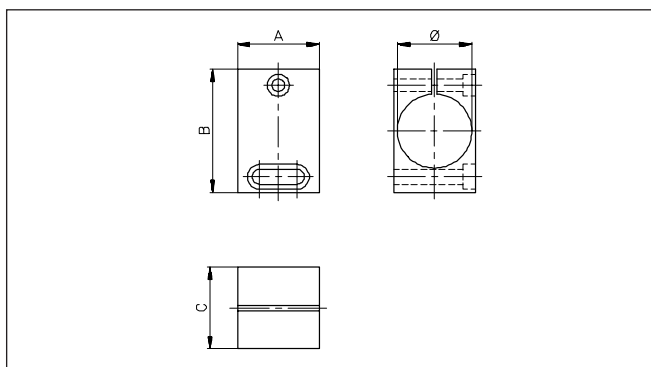
Type Selection

Inner Diameter	Type
30 mm	DB 1

Specifications

Material	Acetal
Colour	Black

Dimensions



Type	A mm	B mm	C mm	Ø mm
DB 1	33	50	33	30