

DC FANS

Wakefield-Vette produces a line of DC axial fans used on fan heat sinks which are commonly used on heatsinks to support BGAs, VGAs and CPU coolers or as chassis fans. The fans range in size from 30x10mm to 120x38mm with the most common sizes in between. The fans are available in 12 volt as the most common, but other voltages (5, 24 and 48) are possible upon request. The standard configurations include 2 wire, 3 wire (tach) or 4 wire (PWM) and can be customized to support any range of connectors.

General Fan Specifications

Operation Temperature:

-10C to +70C (+14F to +158F)

Storage Temperature:

-40C to +70C (-40F to +158F)

Bearing System Life:

2 Ball Bearing: L10 - 70k hrs @ 40C

Materials:

Black PBT(UL94V0), Glass Filled

Lead Wires:

Rating: UL1007 or UL1571, 80C

AWG: 24 or 26 or 28

Wire Length: 300mm +/- 10mm

3 Wire Standard: Red(+), Black(-), Yellow(Tach/FG)

4th wire Optional: Blue (PWM)

Insulation Resistance:

Standard: 10M Ω at 500VDC Minimum(frame to leads)

Dielectric Strength

Standard: 500VAC(50/60Hz) for 60 seconds with 1mA trip current allowable between frame and leads

Noise Data:

All noise readings are taken in dBA at 1meter from air intake side, fan suspended in a semi-anechoic chamber (<16 dBA max)

Protection:

Locked Rotor (Meets UL standard 72 hr test)

Reversed Polarity

Shock and Vibration:

Shock: Meets 100G at 2ms, half sine, X, Y, and Z axis

Vibration: Meets the amplitude of vibration :0.38mm

Frequency: 5-55 Hz

Duration: 60min / axis

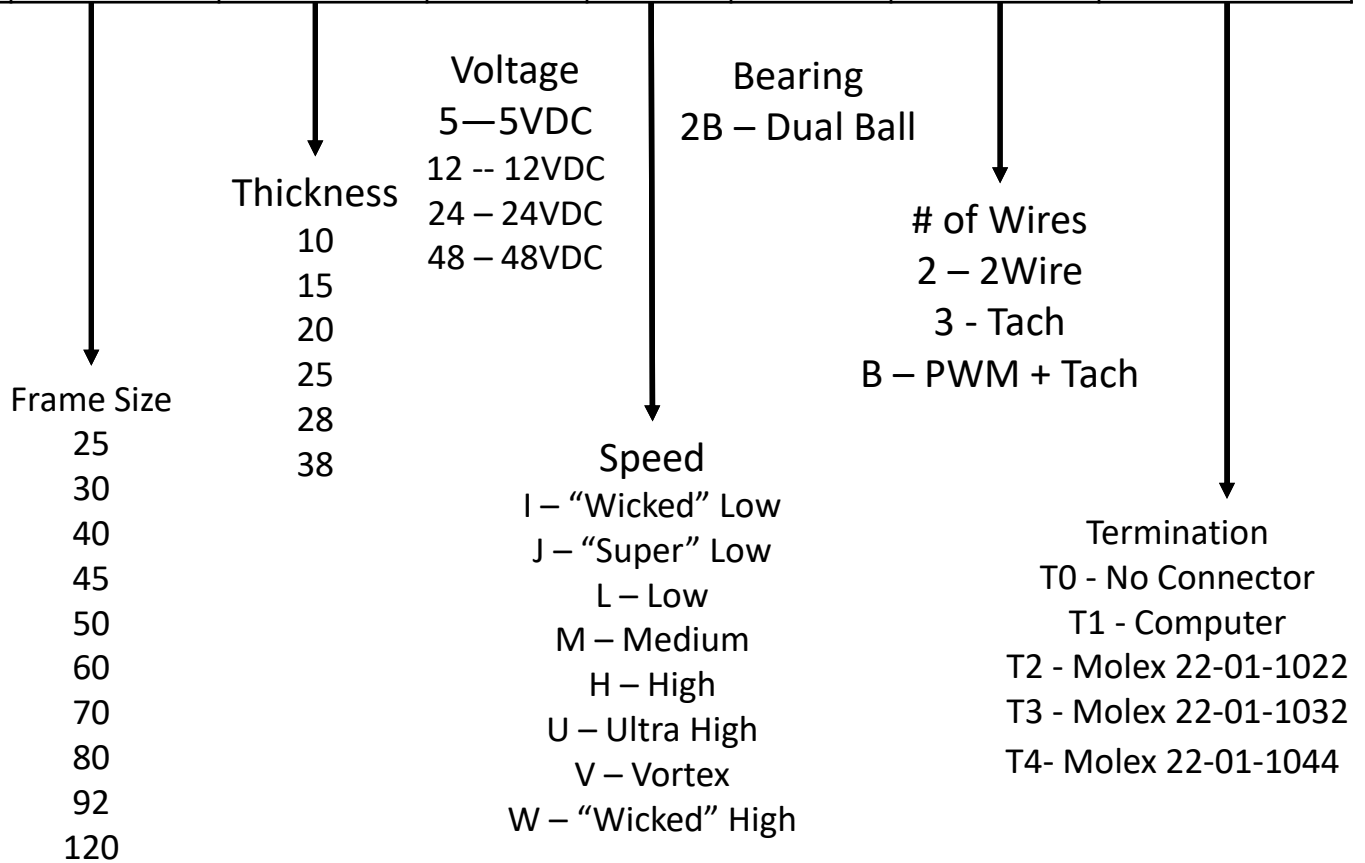
Direction: X.Y.Z axis

Part Numbering Guide



Example: DC402012H2B-2Tx

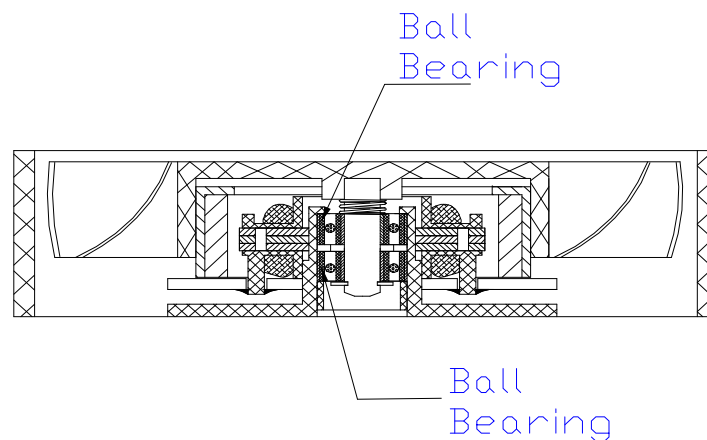
| Series | Frame Size(mm) | Thickness(mm) | Voltage | Speed | Bearing | # of Wires | Termination |
|--------|----------------|---------------|---------|-------|---------|------------|-------------|
| DC | 40 | 20 | 12 | H | 2B | 2 | Tx |



Bearing Information

Dual Ball Bearing

The two ball bearing system is the industry standard for long life with a L10 of 70,000 hours. Other bearing choices, like sleeve or single ball are susceptible to impact damage which is why they can not support the high life requirement of most applications. One advantage of two ball bearing systems is that due to the small point load of the balls, they require less power to start rotation as they have less stiction (starting friction) than other bearing system which means the minimum starting power can be achieved with a lower current.

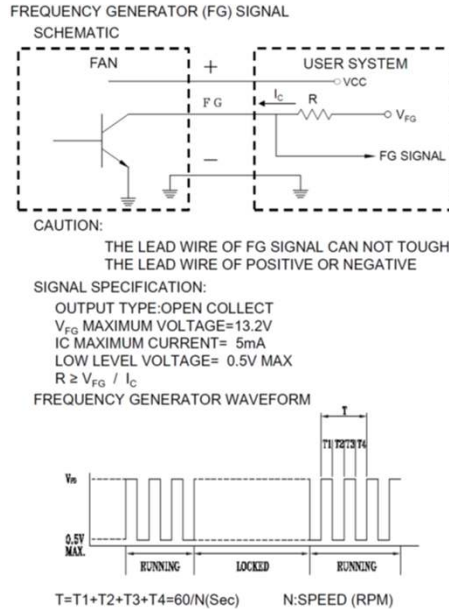


Bearing Lubrication, Wear and Failure

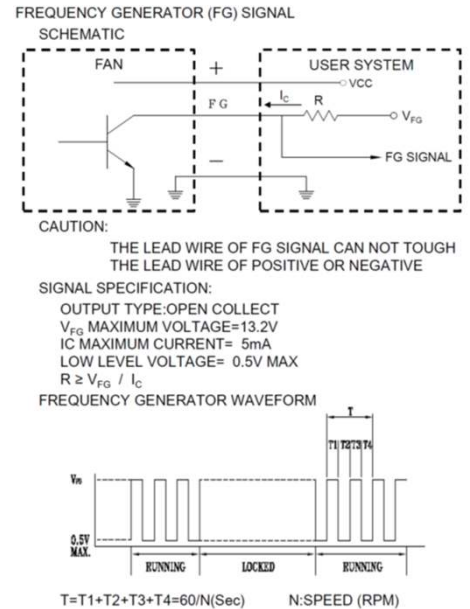
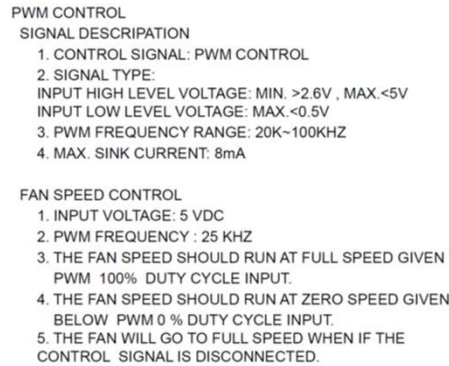
Bearing failure is the most common reason for a fan failure which is why bearing selection is so important. The bearing failure can be caused by multiple factors including lack of lubrication, excessive temperature or direct damage (excessive shock/vibration). A two ball bearing fan is better sealed to prevent the leak of the lubrication fluid than some of the other bearing systems. All fans typically will get noisier and rotate slower as the bearing systems wear and this can be a good indicator of pending bearing failure.

Optional Configuration

- 3 – Tach

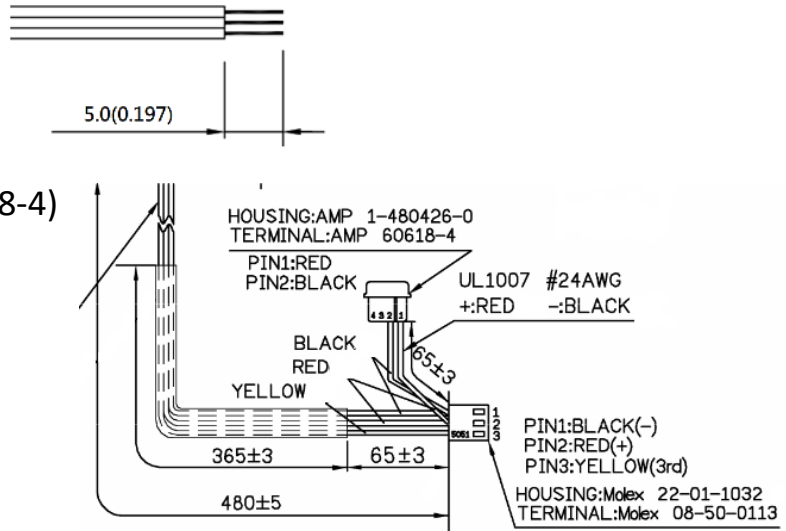


- B – PWM + Tach



Termination Information

- T0 – 5mm +/-2mm strip length, tinned
- T1 – Computer connector
 - Molex 22-01-1032 with AMP 60618-4)
 - Pin1 – Negative
 - Pin2 – Positive
 - Pin3 –Tachometer
 - AMP 60618-4
 - Pin1 – Positive
 - Pin2 – Negative
- T2 – Molex 22-01-1022
 - Pin1 – Positive
 - Pin2 – Negative
- T3 – Molex 22-01-1032
 - Pin1 – Positive
 - Pin2 – Negative
 - Pin3 – Tachometer
- T4 – Molex 22-01-1042
 - Pin1 – Positive
 - Pin2 – Negative
 - Pin3 – Tachometer
 - Pin4 -- PWM



Typical Ordering Configurations

- 2T0 (2 wire, no connector)
- 2T2 (2 wire, 2 pin connector)
- 3T0 (3 wire, no connector)
- 3T1 (3 wire, computer connector)
- 3T3 (3 wire, 3 pin connector)
- BT0 (4 wire, no connector)
- BT4 (4 wire, 4 pin connector)

| Description | Size | Thickness | Bearing System | Rated | Rated | Rated | Rated | Max Airflow (CFM) | Max Pressure (InAq) | Noise Level (dB/A) |
|--------------|------|-----------|----------------|---------------|-------------|-----------|-------------|-------------------|---------------------|--------------------|
| | | | | Voltage (VDC) | Current (A) | Power (W) | Speed (RPM) | | | |
| DC0251012H2B | 025 | 10 | 2B | 12 | 0.08 | 0.96 | 13000 | 2.41 | 0.29 | 28 |
| DC0251012M2B | 025 | 10 | 2B | 12 | 0.06 | 0.72 | 10000 | 1.85 | 0.17 | 24 |
| DC0251012L2B | 025 | 10 | 2B | 12 | 0.05 | 0.60 | 7000 | 1.32 | 0.07 | 20 |
| DC0301012U2B | 030 | 10 | 2B | 12 | 0.17 | 2.04 | 11000 | 5.65 | 0.24 | 31 |
| DC0301012H2B | 030 | 10 | 2B | 12 | 0.07 | 0.84 | 9000 | 4.48 | 0.21 | 29 |
| DC0301012M2B | 030 | 10 | 2B | 12 | 0.05 | 0.60 | 7500 | 3.73 | 0.14 | 24 |
| DC0301012L2B | 030 | 10 | 2B | 12 | 0.03 | 0.36 | 6000 | 2.99 | 0.09 | 17 |
| DC0351012W2B | 035 | 10 | 2B | 12 | 0.11 | 1.30 | 9000 | 6.30 | 0.22 | 28 |
| DC0351012V2B | 035 | 10 | 2B | 12 | 0.04 | 0.48 | 8000 | 5.51 | 0.18 | 25 |
| DC0351012U2B | 035 | 10 | 2B | 12 | 0.03 | 0.36 | 7000 | 4.37 | 0.14 | 23 |
| DC0382012U2B | 038 | 20 | 2B | 12 | 0.30 | 3.60 | 10000 | 9.70 | 0.58 | 43 |
| DC0382012H2B | 038 | 20 | 2B | 12 | 0.13 | 1.56 | 8900 | 8.60 | 0.39 | 42 |
| DC0382012M2B | 038 | 20 | 2B | 12 | 0.12 | 1.44 | 8000 | 7.40 | 0.34 | 40 |
| DC0382012L2B | 038 | 20 | 2B | 12 | 0.10 | 1.20 | 6700 | 6.30 | 0.22 | 36 |
| DC0382812V2B | 038 | 28 | 2B | 12 | 0.85 | 10.20 | 17000 | 20.80 | 1.67 | 59 |
| DC0382812U2B | 038 | 28 | 2B | 12 | 0.48 | 5.76 | 15000 | 19.16 | 1.37 | 55 |
| DC0382812H2B | 038 | 28 | 2B | 12 | 0.29 | 3.48 | 13000 | 16.30 | 1.02 | 51 |
| DC0382812M2B | 038 | 28 | 2B | 12 | 0.15 | 1.80 | 10000 | 12.46 | 0.63 | 44 |
| DC0382812L2B | 038 | 28 | 2B | 12 | 0.11 | 1.32 | 8000 | 9.44 | 0.39 | 38 |
| DC0401012V2B | 040 | 10 | 2B | 12 | 0.18 | 2.16 | 10000 | 12.23 | 0.33 | 39 |
| DC0401012U2B | 040 | 10 | 2B | 12 | 0.14 | 1.68 | 8000 | 9.25 | 0.20 | 35 |
| DC0401012H2B | 040 | 10 | 2B | 12 | 0.11 | 1.32 | 6000 | 7.24 | 0.11 | 26 |
| DC0401012M2B | 040 | 10 | 2B | 12 | 0.10 | 1.20 | 4000 | 4.75 | 0.06 | 21 |
| DC0401512H2B | 040 | 15 | 2B | 12 | 0.16 | 1.92 | 8600 | 10.45 | 0.38 | 36 |
| DC0401512L2B | 040 | 15 | 2B | 12 | 0.08 | 0.96 | 6000 | 6.71 | 0.20 | 28 |
| DC0401512M2B | 040 | 15 | 2B | 12 | 0.12 | 1.44 | 7300 | 8.25 | 0.29 | 32 |
| DC0402012V2B | 040 | 20 | 2B | 12 | 0.41 | 4.92 | 16000 | 19.80 | 1.44 | 53 |
| DC0402012U2B | 040 | 20 | 2B | 12 | 0.25 | 3.00 | 14000 | 16.80 | 1.08 | 49 |
| DC0402012H2B | 040 | 20 | 2B | 12 | 0.17 | 2.04 | 12000 | 14.30 | 0.79 | 44 |
| DC0402012M2B | 040 | 20 | 2B | 12 | 0.11 | 1.32 | 10000 | 11.70 | 0.55 | 40 |
| DC0402012L2B | 040 | 20 | 2B | 12 | 0.08 | 0.96 | 8000 | 9.40 | 0.35 | 33 |
| DC0402812U2B | 040 | 28 | 2B | 12 | 0.64 | 7.68 | 15000 | 24.80 | 1.64 | 58 |
| DC0402812H2B | 040 | 28 | 2B | 12 | 0.35 | 4.20 | 11000 | 18.70 | 0.92 | 51 |
| DC0402812M2B | 040 | 28 | 2B | 12 | 0.26 | 3.12 | 9500 | 15.90 | 0.69 | 44 |
| DC0402812L2B | 040 | 28 | 2B | 12 | 0.14 | 1.68 | 8000 | 13.80 | 0.46 | 38 |
| DC0402812W2B | 040 | 28 | 2B | 12 | 1.40 | 16.80 | 23000 | 31.30 | 3.02 | 64 |
| DC0402812V2B | 040 | 28 | 2B | 12 | 1.10 | 13.20 | 21000 | 29.50 | 2.89 | 62 |
| DC0405612U2B | 040 | 56 | 2B | 12 | 1.72 | 20.64 | 21000 | 37.21 | 3.87 | 69 |

See page 6 for termination configurations and typical ordering configurations

| Description | Size | Thickness | Bearing System | Rated | | | Rated | | | |
|--------------|------|-----------|----------------|---------------|-------------------|-----------------|-------------|-------------------|---------------------|--------------------|
| | | | | Voltage (VDC) | Rated Current (A) | Rated Power (W) | Speed (RPM) | Max Airflow (CFM) | Max Pressure (InAq) | Noise Level (dB/A) |
| DC0501012H2B | 050 | 10 | 2B | 12 | 0.10 | 1.20 | 6500 | 12.70 | 0.18 | 35 |
| DC0501012M2B | 050 | 10 | 2B | 12 | 0.08 | 0.96 | 5500 | 10.50 | 0.14 | 30 |
| DC0501012L2B | 050 | 10 | 2B | 12 | 0.07 | 0.84 | 4500 | 8.20 | 0.09 | 25 |
| DC0501012J2B | 050 | 10 | 2B | 12 | 0.05 | 0.60 | 3500 | 6.70 | 0.05 | 18 |
| DC0501512U2B | 050 | 15 | 2B | 12 | 0.13 | 1.56 | 6000 | 17.00 | 0.23 | 36 |
| DC0501512H2B | 050 | 15 | 2B | 12 | 0.11 | 1.32 | 5400 | 15.00 | 0.18 | 32 |
| DC0501512M2B | 050 | 15 | 2B | 12 | 0.09 | 1.08 | 4800 | 13.20 | 0.16 | 30 |
| DC0501512L2B | 050 | 15 | 2B | 12 | 0.07 | 0.84 | 4200 | 12.20 | 0.12 | 27 |
| DC0501512J2B | 050 | 15 | 2B | 12 | 0.06 | 0.72 | 3600 | 9.90 | 0.08 | 24 |
| DC0502012H2B | 050 | 20 | 2B | 12 | 0.30 | 3.60 | 7000 | 20.30 | 0.30 | 38 |
| DC0502012M2B | 050 | 20 | 2B | 12 | 0.21 | 2.52 | 6400 | 17.60 | 0.25 | 36 |
| DC0502012L2B | 050 | 20 | 2B | 12 | 0.15 | 1.80 | 5600 | 14.80 | 0.18 | 32 |
| DC0502012J2B | 050 | 20 | 2B | 12 | 0.13 | 1.56 | 4800 | 12.70 | 0.14 | 28 |
| DC0502012I2B | 050 | 20 | 2B | 12 | 0.10 | 1.20 | 4000 | 10.10 | 0.10 | 24 |
| DC0601012U2B | 060 | 10 | 2B | 12 | 0.20 | 2.40 | 4900 | 19.90 | 0.16 | 37 |
| DC0601012M2B | 060 | 10 | 2B | 12 | 0.17 | 2.04 | 4200 | 17.10 | 0.12 | 33 |
| DC0601512U2B | 060 | 15 | 2B | 12 | 0.26 | 3.12 | 5000 | 26.50 | 0.23 | 37 |
| DC0601512H2B | 060 | 15 | 2B | 12 | 0.12 | 1.44 | 4500 | 23.10 | 0.18 | 35 |
| DC0601512M2B | 060 | 15 | 2B | 12 | 0.10 | 1.20 | 4000 | 21.70 | 0.16 | 32 |
| DC0601512L2B | 060 | 15 | 2B | 12 | 0.08 | 0.96 | 3500 | 19.00 | 0.14 | 29 |
| DC0601512J2B | 060 | 15 | 2B | 12 | 0.06 | 0.72 | 3000 | 15.00 | 0.09 | 24 |
| DC0602012U2B | 060 | 20 | 2B | 12 | 0.14 | 1.73 | 4800 | 19.60 | 0.27 | 33 |
| DC0602012H2B | 060 | 20 | 2B | 12 | 0.12 | 1.44 | 4400 | 18.10 | 0.23 | 31 |
| DC0602012M2B | 060 | 20 | 2B | 12 | 0.11 | 1.32 | 4000 | 16.40 | 0.19 | 29 |
| DC0602012L2B | 060 | 20 | 2B | 12 | 0.09 | 1.08 | 3600 | 14.80 | 0.15 | 26 |
| DC0602012J2B | 060 | 20 | 2B | 12 | 0.07 | 0.84 | 3200 | 13.50 | 0.12 | 24 |
| DC0602512W2B | 060 | 25 | 2B | 12 | 0.54 | 6.48 | 9800 | 55.50 | 1.17 | 66 |
| DC0602512V2B | 060 | 25 | 2B | 12 | 0.48 | 5.76 | 7500 | 47.90 | 0.79 | 63 |
| DC0602512U2B | 060 | 25 | 2B | 12 | 0.45 | 5.40 | 6800 | 43.80 | 0.56 | 56 |
| DC0602512H2B | 060 | 25 | 2B | 12 | 0.28 | 3.36 | 5000 | 33.60 | 0.25 | 40 |
| DC0602512M2B | 060 | 25 | 2B | 12 | 0.15 | 1.80 | 4250 | 24.00 | 0.22 | 34 |
| DC0602512L2B | 060 | 25 | 2B | 12 | 0.12 | 1.44 | 3600 | 21.50 | 0.16 | 31 |
| DC0602512J2B | 060 | 25 | 2B | 12 | 0.20 | 2.40 | 3100 | 17.10 | 0.12 | 26 |
| DC0603812M2B | 060 | 38 | 2B | 12 | 1.38 | 16.56 | 12000 | 67.30 | 2.07 | 62 |
| DC0603812L2B | 060 | 38 | 2B | 12 | 1.00 | 12.00 | 10000 | 55.20 | 1.41 | 57 |
| DC0603812J2B | 060 | 38 | 2B | 12 | 0.68 | 8.16 | 9000 | 50.80 | 1.19 | 54 |
| DC0603812I2B | 060 | 38 | 2B | 12 | 0.52 | 6.24 | 8000 | 43.10 | 0.90 | 51 |

See page 6 for termination configurations and typical ordering configurations

| Description | Size | Thickness | Bearing System | Rated Voltage (VDC) | Rated Current (A) | Rated Power (W) | Rated Speed (RPM) | Max Airflow (CFM) | Max Pressure (InAq) | Noise Level (dB/A) |
|--------------|------|-----------|----------------|---------------------|-------------------|-----------------|-------------------|-------------------|---------------------|--------------------|
| DC0701512H2B | 070 | 15 | 2B | 12 | 0.25 | 3.00 | 4300 | 33.50 | 0.22 | 39 |
| DC0701512M2B | 070 | 15 | 2B | 12 | 0.17 | 2.04 | 3800 | 29.60 | 0.17 | 35 |
| DC0701512L2B | 070 | 15 | 2B | 12 | 0.12 | 1.44 | 3300 | 25.70 | 0.13 | 31 |
| DC0701512J2B | 070 | 15 | 2B | 12 | 0.10 | 1.20 | 2800 | 21.10 | 0.09 | 27 |
| DC0702512U2B | 070 | 25 | 2B | 12 | 0.27 | 3.24 | 5500 | 54.80 | 0.50 | 45 |
| DC0702512H2B | 070 | 25 | 2B | 12 | 0.13 | 1.56 | 4000 | 39.90 | 0.27 | 37 |
| DC0702512M2B | 070 | 25 | 2B | 12 | 0.09 | 1.08 | 3600 | 35.60 | 0.22 | 32 |
| DC0702512L2B | 070 | 25 | 2B | 12 | 0.07 | 0.84 | 3000 | 30.00 | 0.15 | 27 |
| DC0801512U2B | 080 | 15 | 2B | 12 | 0.48 | 5.76 | 4500 | 45.2 | 0.21 | 43 |
| DC0801512H2B | 080 | 15 | 2B | 12 | 0.16 | 1.92 | 3600 | 37.6 | 0.15 | 36 |
| DC0801512M2B | 080 | 15 | 2B | 12 | 0.12 | 1.44 | 3100 | 31.5 | 0.10 | 32 |
| DC0801512L2B | 080 | 15 | 2B | 12 | 0.10 | 1.20 | 2700 | 27.5 | 0.09 | 30 |
| DC0801512J2B | 080 | 15 | 2B | 12 | 0.06 | 0.72 | 2400 | 22.0 | 0.05 | 25 |
| DC0802012U2B | 080 | 20 | 2B | 12 | 0.30 | 3.60 | 4300 | 51.2 | 0.28 | 43 |
| DC0802012H2B | 080 | 20 | 2B | 12 | 0.24 | 2.88 | 3400 | 40.5 | 0.18 | 36 |
| DC0802012M2B | 080 | 20 | 2B | 12 | 0.18 | 2.16 | 3100 | 36.9 | 0.15 | 34 |
| DC0802012L2B | 080 | 20 | 2B | 12 | 0.16 | 1.92 | 2700 | 31.2 | 0.11 | 29 |
| DC0802012J2B | 080 | 20 | 2B | 12 | 0.13 | 1.56 | 2400 | 27.4 | 0.09 | 25 |
| DC0802512U2B | 080 | 25 | 2B | 12 | 0.73 | 8.76 | 6500 | 83.6 | 0.38 | 50 |
| DC0802512H2B | 080 | 25 | 2B | 12 | 0.48 | 5.76 | 5500 | 74.3 | 0.27 | 46 |
| DC0802512M2B | 080 | 25 | 2B | 12 | 0.25 | 3.00 | 5000 | 69.9 | 0.26 | 44 |
| DC0802512L2B | 080 | 25 | 2B | 12 | 0.20 | 2.40 | 4500 | 66.4 | 0.22 | 42 |
| DC0802512J2B | 080 | 25 | 2B | 12 | 0.13 | 1.56 | 4000 | 55.8 | 0.18 | 37 |
| DC0802512I2B | 080 | 25 | 2B | 12 | 0.15 | 1.80 | 3500 | 47.5 | 0.14 | 35 |
| DC0803212W2B | 080 | 32 | 2B | 12 | 0.95 | 11.40 | 6800 | 86.7 | 0.89 | 54 |
| DC0803212H2B | 080 | 32 | 2B | 12 | 0.50 | 6.00 | 5500 | 69.1 | 0.61 | 48 |
| DC0803212M2B | 080 | 32 | 2B | 12 | 0.35 | 4.20 | 4800 | 60.4 | 0.45 | 45 |
| DC0803212L2B | 080 | 32 | 2B | 12 | 0.20 | 2.40 | 4000 | 49.7 | 0.35 | 39 |
| DC0803212J2B | 080 | 32 | 2B | 12 | 0.15 | 1.80 | 3000 | 38.2 | 0.20 | 31 |
| DC0803812V2B | 080 | 38 | 2B | 12 | 2.70 | 32.40 | 9000 | 130.0 | 2.00 | 66 |
| DC0803812U2B | 080 | 38 | 2B | 12 | 1.50 | 18.00 | 7500 | 105.5 | 1.36 | 62 |
| DC0803812H2B | 080 | 38 | 2B | 12 | 1.00 | 12.00 | 6100 | 84.8 | 0.89 | 56 |
| DC0803812M2B | 080 | 38 | 2B | 12 | 0.76 | 9.12 | 5600 | 78.8 | 0.76 | 53 |
| DC0803812L2B | 080 | 38 | 2B | 12 | 0.40 | 4.80 | 4200 | 58.2 | 0.41 | 45 |

See page 6 for termination configurations and typical ordering configurations

| Description | Size | Thickness | Bearing System | Rated | | | Rated | | | |
|--------------|------|-----------|----------------|---------------|-------------------|-----------------|-------------|-------------------|---------------------|--------------------|
| | | | | Voltage (VDC) | Rated Current (A) | Rated Power (W) | Speed (RPM) | Max Airflow (CFM) | Max Pressure (InAq) | Noise Level (dB/A) |
| DC0922512V2B | 092 | 25 | 2B | 12 | 0.41 | 4.92 | 4500 | 81.0 | 0.40 | 49 |
| DC0922512U2B | 092 | 25 | 2B | 12 | 0.30 | 3.60 | 3800 | 69.2 | 0.28 | 45 |
| DC0922512H2B | 092 | 25 | 2B | 12 | 0.20 | 2.40 | 3200 | 58.3 | 0.22 | 38 |
| DC0922512M2B | 092 | 25 | 2B | 12 | 0.14 | 1.68 | 2850 | 52.1 | 0.17 | 34 |
| DC0922512L2B | 092 | 25 | 2B | 12 | 0.11 | 1.32 | 2450 | 44.8 | 0.12 | 30 |
| DC0922512J2B | 092 | 25 | 2B | 12 | 0.09 | 1.08 | 2100 | 39.2 | 0.09 | 25 |
| DC0923812V2B | 092 | 38 | 2B | 12 | 2.95 | 35.40 | 8000 | 166.4 | 1.91 | 72 |
| DC0923812U2B | 092 | 38 | 2B | 12 | 2.50 | 30.00 | 7000 | 145.6 | 1.46 | 67 |
| DC0923812H2B | 092 | 38 | 2B | 12 | 1.20 | 14.40 | 6000 | 123.4 | 1.12 | 64 |
| DC0923812M2B | 092 | 38 | 2B | 12 | 0.90 | 10.80 | 5000 | 109.2 | 0.86 | 58 |
| DC0923812L2B | 092 | 38 | 2B | 12 | 0.50 | 6.00 | 4300 | 97.1 | 0.70 | 52 |
| DC1202512V2B | 120 | 25 | 2B | 12 | 0.65 | 7.80 | 4000 | 121.1 | 0.51 | 52 |
| DC1202512U2B | 120 | 25 | 2B | 12 | 0.62 | 7.44 | 3700 | 114.8 | 0.46 | 50 |
| DC1202512H2B | 120 | 25 | 2B | 12 | 0.50 | 6.00 | 3400 | 103.9 | 0.40 | 47 |
| DC1202512M2B | 120 | 25 | 2B | 12 | 0.48 | 5.76 | 2800 | 86.7 | 0.28 | 42 |
| DC1202512L2B | 120 | 25 | 2B | 12 | 0.30 | 3.60 | 2500 | 77.2 | 0.23 | 39 |
| DC1202512J2B | 120 | 25 | 2B | 12 | 0.20 | 2.40 | 2100 | 67.7 | 0.17 | 35 |
| DC1203812W2B | 120 | 38 | 2B | 12 | 1.55 | 18.60 | 4200 | 178.4 | 0.94 | 54 |
| DC1203812V2B | 120 | 38 | 2B | 12 | 0.80 | 9.60 | 3200 | 135.9 | 0.54 | 48 |
| DC1203812U2B | 120 | 38 | 2B | 12 | 0.75 | 9.00 | 2900 | 123.2 | 0.45 | 44 |
| DC1203812H2B | 120 | 38 | 2B | 12 | 0.40 | 4.80 | 2600 | 114.7 | 0.41 | 41 |
| DC1203812M2B | 120 | 38 | 2B | 12 | 0.28 | 3.36 | 2300 | 101.4 | 0.30 | 38 |
| DC1203812L2B | 120 | 38 | 2B | 12 | 2.16 | 25.92 | 4600 | 212.6 | 0.84 | 59 |
| DC1203812J2B | 120 | 38 | 2B | 12 | 1.50 | 18.00 | 4100 | 190.5 | 0.69 | 56 |

See page 6 for termination configurations and typical ordering configurations

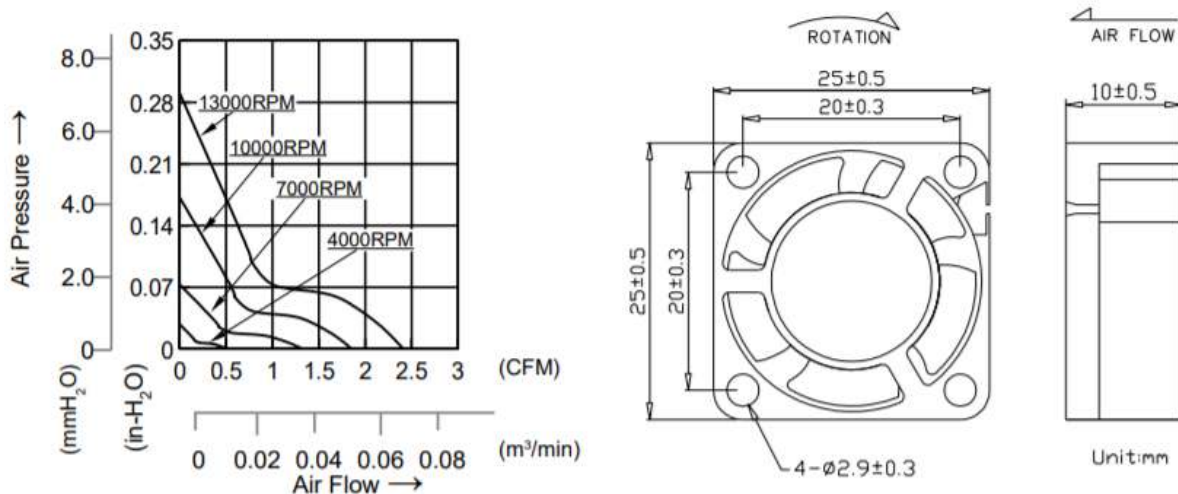
25x25x10mm



- MOTOR : DC single phase brushless motor
- FRAME : PBT (94V-0) ; IMPELLER : PBT(94V-0)
- OPERATING TEMP.: -10°C~70°C
- STORAGE TEMP.: -40°C~70°C
- WEIGHT : 8g
- Dual Ball Bearing
- Lead Length: 300mm +/- 10mm
- 2 Wire: Standard
- 3 Wire: Tach (FG) Optional
- 4 Wire: PWM Optional

| Description | Size (mm) | Thickness (mm) | Rated Voltage (VDC) | Rated Current (A) | Rated Power (W) | Rated Speed (RPM) | Speed Code | Max Airflow (CFM) | Max Pressure (InAq) | Noise Level (dB/A) | Tach | PWM |
|--------------|-----------|----------------|---------------------|-------------------|-----------------|-------------------|------------|-------------------|---------------------|--------------------|------|-----|
| DC0251012H2B | 25 | 10 | 12 | 0.08 | 0.96 | 13000 | H | 2.41 | 0.29 | 28 | 3 | B |
| DC0251012M2B | 25 | 10 | 12 | 0.06 | 0.72 | 10000 | M | 1.85 | 0.17 | 24 | 3 | B |
| DC0251012L2B | 25 | 10 | 12 | 0.05 | 0.60 | 7000 | L | 1.32 | 0.07 | 20 | 3 | B |

See page 6 for termination configurations and typical ordering configurations



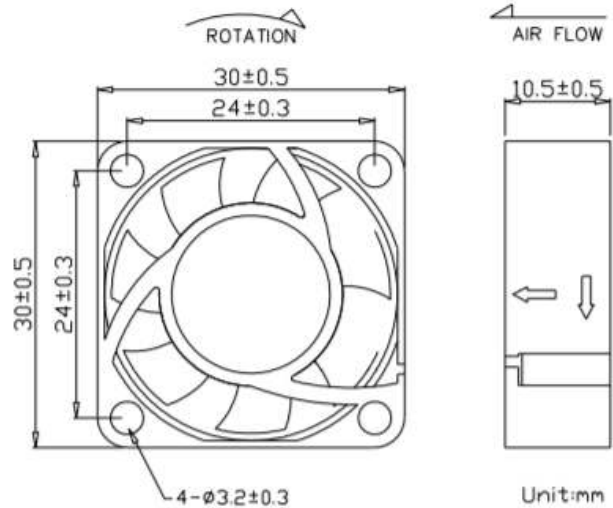
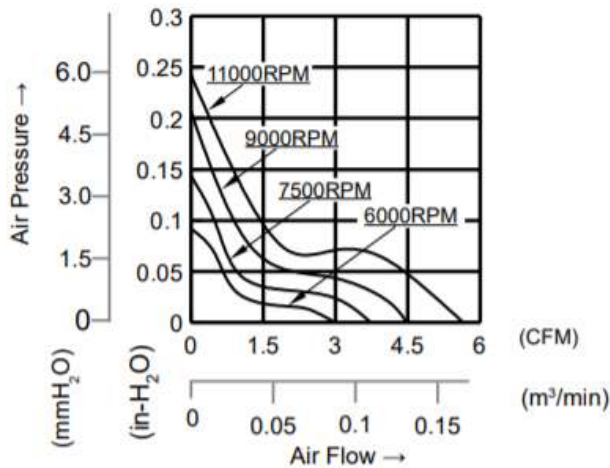
30x30x10mm



- MOTOR : DC single phase brushless motor
- FRAME : PBT (94V-0) ; IMPELLER : PBT(94V-0)
- OPERATING TEMP.: -10°C~70°C
- STORAGE TEMP.: -40°C~70°C
- WEIGHT : 10g
- Dual Ball Bearing
- Lead Length: 300mm +/- 10mm
- 2 Wire: Standard
- 3 Wire: Tach (FG) Optional
- 4 Wire: PWM Optional

| Description | Size (mm) | Thickness (mm) | Rated Voltage (VDC) | Rated Current (A) | Rated Power (W) | Rated Speed (RPM) | Speed Code | Max Airflow (CFM) | Max Pressure (InAq) | Noise Level (dB/A) | Tach | PWM |
|--------------|-----------|----------------|---------------------|-------------------|-----------------|-------------------|------------|-------------------|---------------------|--------------------|------|-----|
| DC0301012U2B | 30 | 10 | 12 | 0.17 | 2.04 | 11000 | U | 5.65 | 0.24 | 31 | 3 | B |
| DC0301012H2B | 30 | 10 | 12 | 0.07 | 0.84 | 9000 | H | 4.48 | 0.21 | 29 | 3 | B |
| DC0301012M2B | 30 | 10 | 12 | 0.05 | 0.60 | 7500 | M | 3.73 | 0.14 | 24 | 3 | B |
| DC0301012L2B | 30 | 10 | 12 | 0.03 | 0.36 | 6000 | L | 2.99 | 0.09 | 17 | 3 | B |

See page 6 for termination configurations and typical ordering configurations



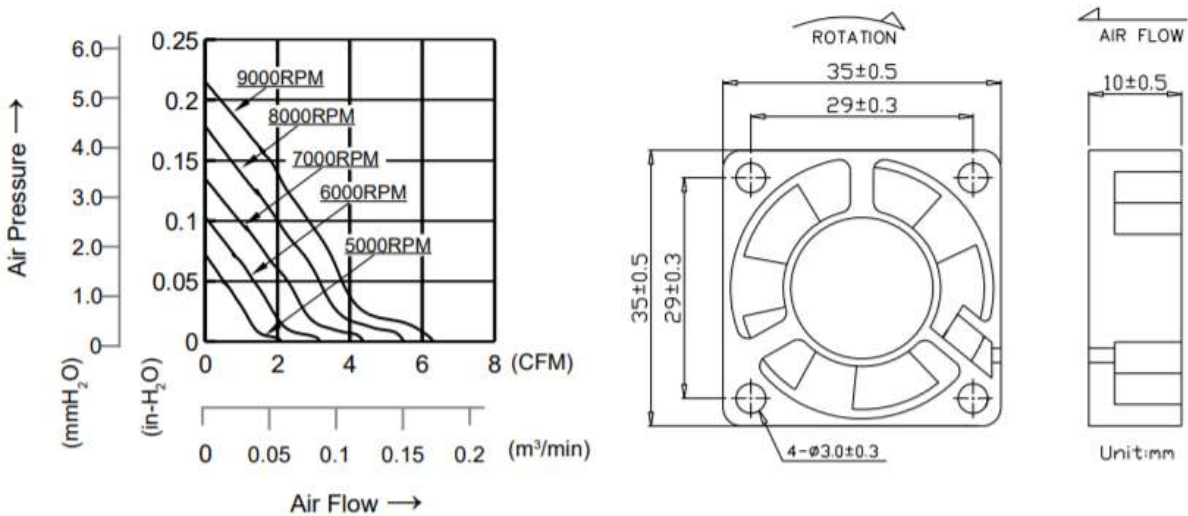
35x35x10mm



- MOTOR : DC single phase brushless motor
- FRAME : PBT (94V-0) ; IMPELLER : PBT(94V-0)
- OPERATING TEMP.: -10°C~70°C
- STORAGE TEMP.: -40°C~70°C
- WEIGHT : 11g
- Dual Ball Bearing
- Lead Length: 300mm +/- 10mm
- 2 Wire: Standard
- 3 Wire: Tach (FG) Optional
- 4 Wire: PWM Optional

| Description | Size (mm) | Thickness (mm) | Rated Voltage (VDC) | Rated Current (A) | Rated Power (W) | Rated Speed (RPM) | Speed Code | Max Airflow (CFM) | Max Pressure (InAq) | Noise Level (dB/A) | Tach | PWM |
|--------------|-----------|----------------|---------------------|-------------------|-----------------|-------------------|------------|-------------------|---------------------|--------------------|------|-----|
| DC0351012W2B | 35 | 10 | 12 | 0.11 | 1.30 | 9000 | W | 6.3 | 0.22 | 28 | 3 | B |
| DC0351012V2B | 35 | 10 | 12 | 0.04 | 0.48 | 8000 | V | 5.51 | 0.18 | 25 | 3 | B |
| DC0351012U2B | 35 | 10 | 12 | 0.03 | 0.36 | 7000 | U | 4.37 | 0.14 | 23 | 3 | B |

See page 6 for termination configurations and typical ordering configurations



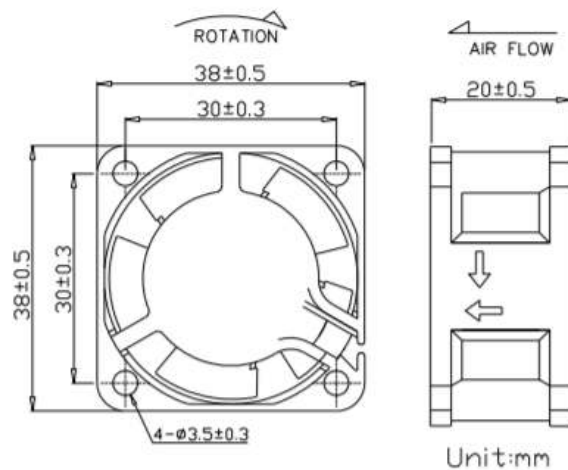
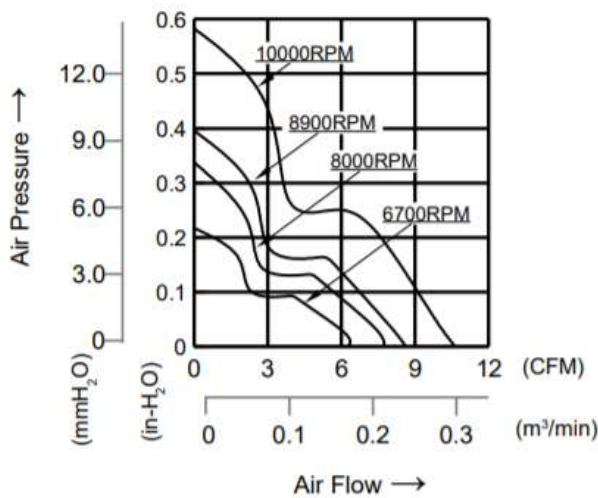
38x38x20mm



- MOTOR : DC single phase brushless motor
- FRAME : PBT (94V-0) ; IMPELLER : PBT(94V-0)
- OPERATING TEMP.: -10°C~70°C
- STORAGE TEMP.: -40°C~70°C
- WEIGHT : 31g
- Dual Ball Bearing
- Lead Length: 300mm +/- 10mm
- 2 Wire: Standard
- 3 Wire: Tach (FG) Optional
- 4 Wire: PWM Optional

| Description | Size (mm) | Thickness (mm) | Rated Voltage (VDC) | Rated Current (A) | Rated Power (W) | Rated Speed (RPM) | Speed Code | Max Airflow (CFM) | Max Pressure (InAq) | Noise Level (dB/A) | Tach | PWM |
|--------------|-----------|----------------|---------------------|-------------------|-----------------|-------------------|------------|-------------------|---------------------|--------------------|------|-----|
| DC0382012U2B | 38 | 20 | 12 | 0.3 | 3.60 | 10000 | U | 9.70 | 0.58 | 43 | 3 | B |
| DC0382012H2B | 38 | 20 | 12 | 0.13 | 1.56 | 8900 | H | 8.60 | 0.39 | 42 | 3 | B |
| DC0382012M2B | 38 | 20 | 12 | 0.12 | 1.44 | 8000 | M | 7.40 | 0.34 | 40 | 3 | B |
| DC0382012L2B | 38 | 20 | 12 | 0.1 | 1.20 | 6700 | L | 6.30 | 0.22 | 36 | 3 | B |

See page 6 for termination configurations and typical ordering configurations



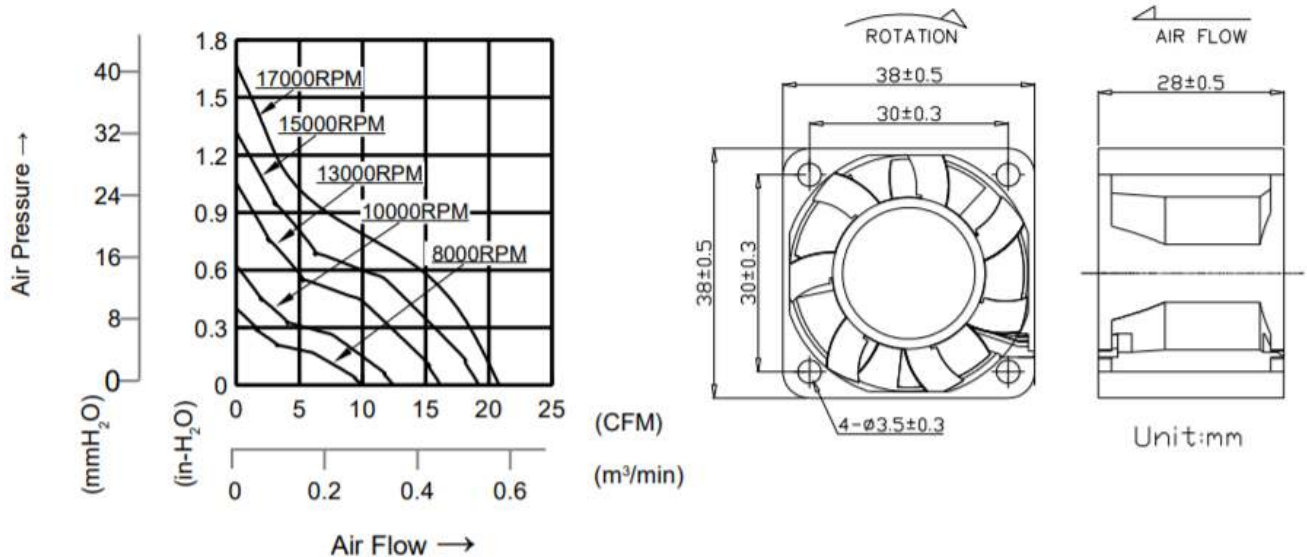
38x38x28mm



- MOTOR : DC single phase brushless motor
- FRAME : PBT (94V-0) ; IMPELLER : PBT(94V-0)
- OPERATING TEMP.: -10°C~70°C
- STORAGE TEMP.: -40°C~70°C
- WEIGHT : 31g
- Dual Ball Bearing
- Lead Length: 300mm +/- 10mm
- 2 Wire: Standard
- 3 Wire: Tach (FG) Optional
- 4 Wire: PWM Optional

| Description | Size (mm) | Thickness (mm) | Rated Voltage (VDC) | Rated Current (A) | Rated Power (W) | Rated Speed (RPM) | Speed Code | Max Airflow (CFM) | Max Pressure (InAq) | Noise Level (dB/A) | Tach | PWM |
|--------------|-----------|----------------|---------------------|-------------------|-----------------|-------------------|------------|-------------------|---------------------|--------------------|------|-----|
| DC0382812V2B | 38 | 28 | 12 | 0.85 | 10.20 | 17000.00 | V | 20.80 | 1.67 | 59 | 3 | B |
| DC0382812U2B | 38 | 28 | 12 | 0.48 | 5.76 | 15000.00 | U | 19.16 | 1.37 | 55 | 3 | B |
| DC0382812H2B | 38 | 28 | 12 | 0.29 | 3.48 | 13000.00 | H | 16.30 | 1.02 | 51 | 3 | B |
| DC0382812M2B | 38 | 28 | 12 | 0.15 | 1.80 | 10000.00 | M | 12.46 | 0.63 | 44 | 3 | B |
| DC0382812L2B | 38 | 28 | 12 | 0.11 | 1.32 | 8000.00 | L | 9.44 | 0.39 | 38 | 3 | B |

See page 6 for termination configurations and typical ordering configurations



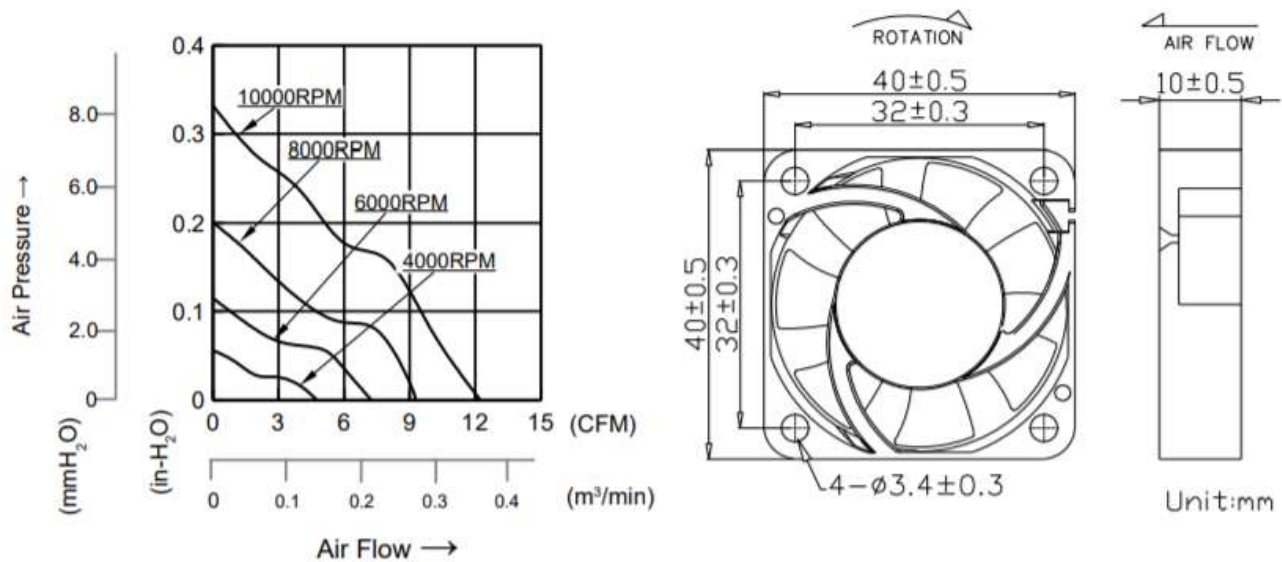
40x40x10mm



- MOTOR : DC single phase brushless motor
- FRAME : PBT (94V-0) ; IMPELLER : PBT(94V-0)
- OPERATING TEMP.: -10°C~70°C
- STORAGE TEMP.: -40°C~70°C
- WEIGHT : 20g
- Dual Ball Bearing
- Lead Length: 300mm +/- 10mm
- 2 Wire: Standard
- 3 Wire: Tach (FG) Optional
- 4 Wire: PWM Optional

| Description | Size (mm) | Thickness (mm) | Rated Voltage (VDC) | Rated Current (A) | Rated Power (W) | Rated Speed (RPM) | Speed Code | Max Airflow (CFM) | Max Pressure (InAq) | Noise Level (dB/A) | Tach | PWM |
|--------------|-----------|----------------|---------------------|-------------------|-----------------|-------------------|------------|-------------------|---------------------|--------------------|------|-----|
| DC0401012V2B | 40 | 10 | 12 | 0.18 | 2.16 | 10000 | V | 12.23 | 0.33 | 39 | 3 | B |
| DC0401012U2B | 40 | 10 | 12 | 0.14 | 1.68 | 8000 | U | 9.25 | 0.20 | 35 | 3 | B |
| DC0401012H2B | 40 | 10 | 12 | 0.11 | 1.32 | 6000 | H | 7.24 | 0.11 | 26 | 3 | B |
| DC0401012M2B | 40 | 10 | 12 | 0.10 | 1.20 | 4000 | M | 4.75 | 0.06 | 21 | 3 | B |

See page 6 for termination configurations and typical ordering configurations



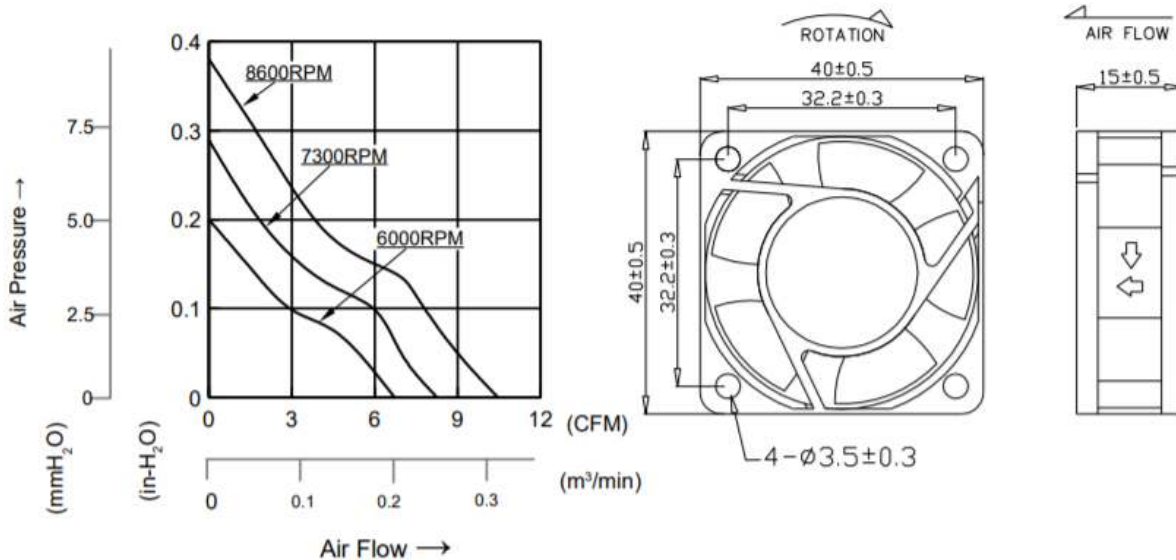
40x40x15mm



- MOTOR : DC single phase brushless motor
- FRAME : PBT (94V-0) ; IMPELLER : PBT(94V-0)
- OPERATING TEMP.: -10°C~70°C
- STORAGE TEMP.: -40°C~70°C
- WEIGHT : 20g
- Dual Ball Bearing
- Lead Length: 300mm +/- 10mm
- 2 Wire: Standard
- 3 Wire: Tach (FG) Optional
- 4 Wire: PWM Optional

| Description | Size (mm) | Thickness (mm) | Rated Voltage (VDC) | Rated Current (A) | Rated Power (W) | Rated Speed (RPM) | Speed Code | Max Airflow (CFM) | Max Pressure (InAq) | Noise Level (dB/A) | Tach | PWM |
|--------------|-----------|----------------|---------------------|-------------------|-----------------|-------------------|------------|-------------------|---------------------|--------------------|------|-----|
| DC0401512H2B | 40 | 15 | 12 | 0.16 | 1.92 | 8600 | H | 10.45 | 0.38 | 36 | 3 | B |
| DC0401512L2B | 40 | 15 | 12 | 0.08 | 0.96 | 6000 | L | 6.71 | 0.20 | 28 | 3 | B |
| DC0401512M2B | 40 | 15 | 12 | 0.12 | 1.44 | 7300 | M | 8.25 | 0.29 | 32 | 3 | B |

See page 6 for termination configurations and typical ordering configurations



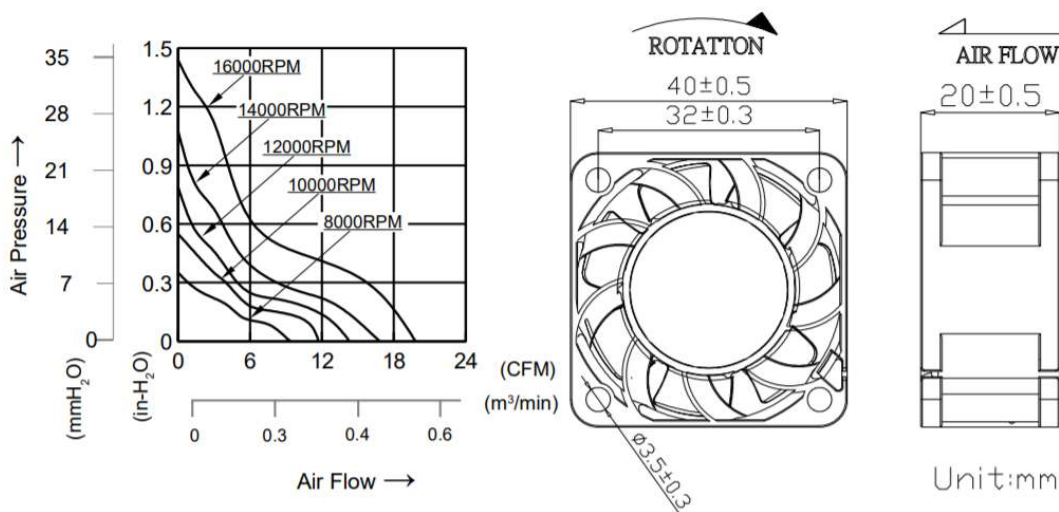
40x40x20mm



- MOTOR : DC single phase brushless motor
- FRAME : PBT (94V-0) ; IMPELLER : PBT(94V-0)
- OPERATING TEMP.: -10°C~70°C
- STORAGE TEMP.: -40°C~70°C
- WEIGHT : 20g
- Dual Ball Bearing
- Lead Length: 300mm +/- 10mm
- 2 Wire: Standard
- 3 Wire: Tach (FG) Optional
- 4 Wire: PWM Optional

| Description | Size (mm) | Thickness (mm) | Rated Voltage (VDC) | Rated Current (A) | Rated Power (W) | Rated Speed (RPM) | Speed Code | Max Airflow (CFM) | Max Pressure (InAq) | Noise Level (dB/A) | Tach | PWM |
|--------------|-----------|----------------|---------------------|-------------------|-----------------|-------------------|------------|-------------------|---------------------|--------------------|------|-----|
| DC0402012V2B | 40 | 20 | 12 | 0.41 | 4.92 | 16000 | V | 19.8 | 1.44 | 53 | 3 | B |
| DC0402012U2B | 40 | 20 | 12 | 0.25 | 3.00 | 14000 | U | 16.8 | 1.08 | 49 | 3 | B |
| DC0402012H2B | 40 | 20 | 12 | 0.17 | 2.04 | 12000 | H | 14.3 | 0.79 | 44 | 3 | B |
| DC0402012M2B | 40 | 20 | 12 | 0.11 | 1.32 | 10000 | M | 11.7 | 0.55 | 40 | 3 | B |
| DC0402012L2B | 40 | 20 | 12 | 0.08 | 0.96 | 8000 | L | 9.4 | 0.35 | 33 | 3 | B |

See page 6 for termination configurations and typical ordering configurations



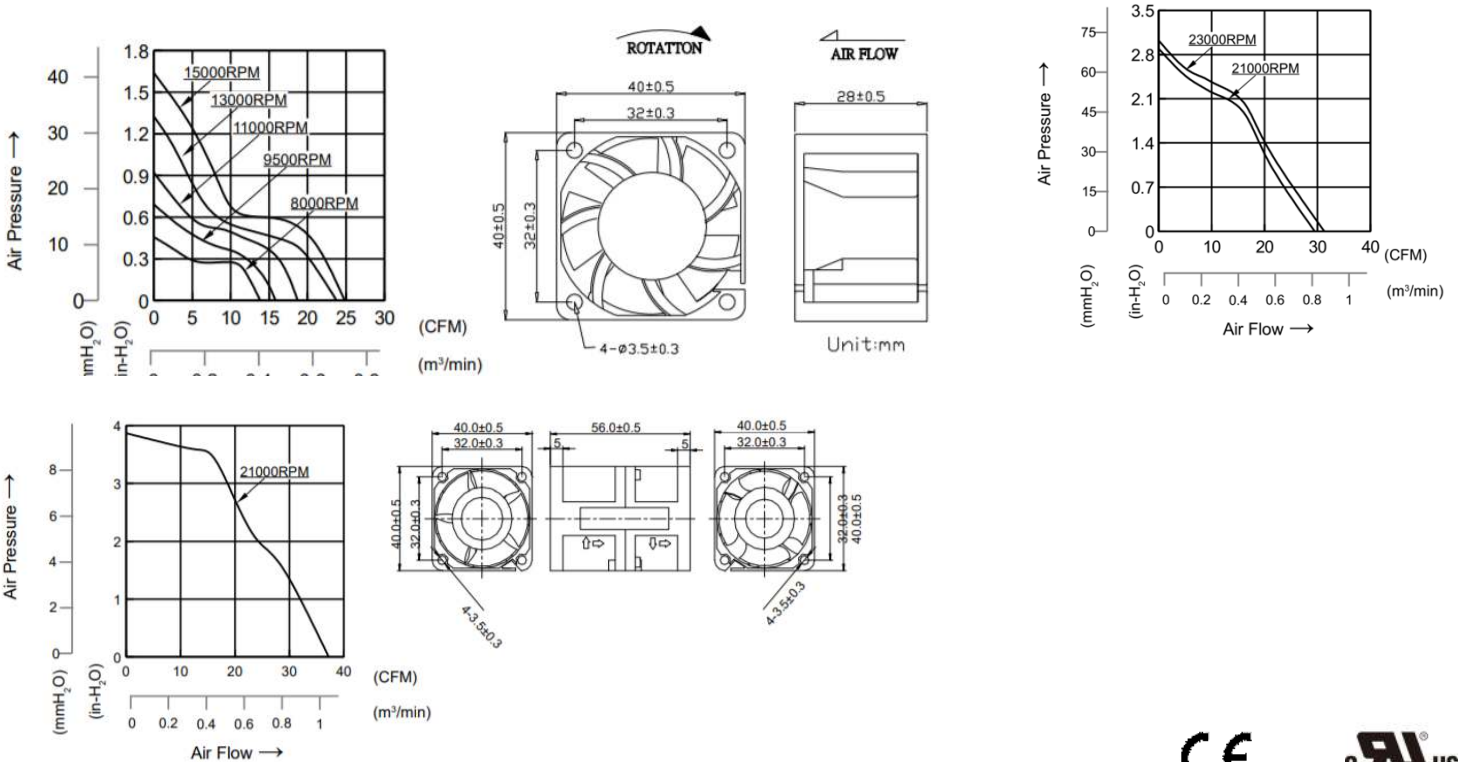
40x40x28mm and 40x40x56mm



- MOTOR : DC single phase brushless motor
- FRAME : PBT (94V-0) ; IMPELLER : PBT(94V-0)
- OPERATING TEMP.: -10°C~70°C
- STORAGE TEMP.: -40°C~70°C
- WEIGHT : 49-85g
- Dual Ball Bearing
- Lead Length: 300mm +/- 10mm
- 2 Wire: Standard
- 3 Wire: Tach (FG) Optional
- 4 Wire: PWM Optional

| Description | Size (mm) | Thickness (mm) | Rated Voltage (VDC) | Rated Current (A) | Rated Power (W) | Rated Speed (RPM) | Speed Code | Max Airflow (CFM) | Max Pressure (InAq) | Noise Level (dB/A) | Tach | PWM |
|--------------|-----------|----------------|---------------------|-------------------|-----------------|-------------------|------------|-------------------|---------------------|--------------------|------|-----|
| DC0402812U2B | 40 | 28 | 12 | 0.64 | 7.68 | 15000 | U | 24.8 | 1.64 | 58 | 3 | B |
| DC0402812H2B | 40 | 28 | 12 | 0.35 | 4.20 | 11000 | H | 18.7 | 0.92 | 51 | 3 | B |
| DC0402812M2B | 40 | 28 | 12 | 0.26 | 3.12 | 9500 | M | 15.9 | 0.69 | 44 | 3 | B |
| DC0402812L2B | 40 | 28 | 12 | 0.14 | 1.68 | 8000 | L | 13.8 | 0.46 | 38 | 3 | B |
| DC0402812W2B | 40 | 28 | 12 | 1.40 | 16.80 | 23000 | W | 31.3 | 3.02 | 64 | 3 | B |
| DC0402812V2B | 40 | 28 | 12 | 1.10 | 13.20 | 21000 | V | 29.5 | 2.89 | 62 | 3 | B |
| DC0405612U2B | 40 | 56 | 12 | 1.72 | 20.64 | 21000 | U | 37.2 | 3.87 | 69 | 3 | B |

See page 6 for termination configurations and typical ordering configurations



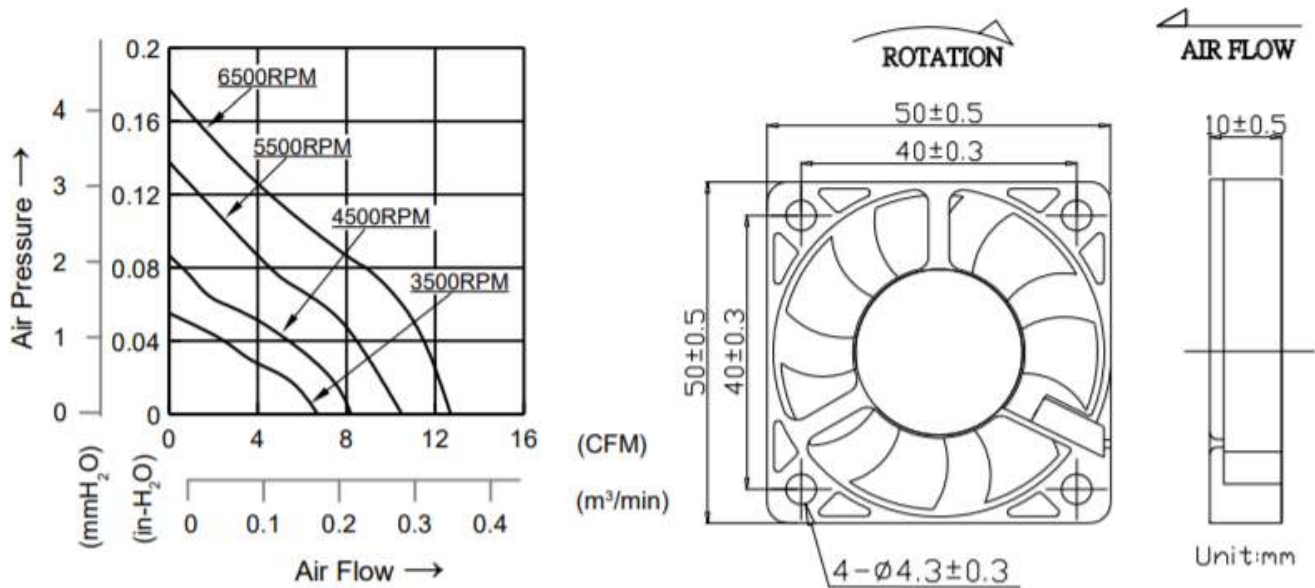
50x50x10mm



- MOTOR : DC single phase brushless motor
- FRAME : PBT (94V-0) ; IMPELLER : PBT(94V-0)
- OPERATING TEMP.: -10°C~70°C
- STORAGE TEMP.: -40°C~70°C
- WEIGHT : 32g
- Dual Ball Bearing
- Lead Length: 300mm +/- 10mm
- 2 Wire: Standard
- 3 Wire: Tach (FG) Optional
- 4 Wire: PWM Optional

| Description | Size (mm) | Thickness (mm) | Rated Voltage (VDC) | Rated Current (A) | Rated Power (W) | Rated Speed (RPM) | Speed Code | Max Airflow (CFM) | Max Pressure (InAq) | Noise Level (dB/A) | Tach | PWM |
|--------------|-----------|----------------|---------------------|-------------------|-----------------|-------------------|------------|-------------------|---------------------|--------------------|------|-----|
| DC0501012H2B | 50 | 10 | 12 | 0.10 | 1.20 | 6500 | H | 12.7 | 0.18 | 35 | 3 | B |
| DC0501012M2B | 50 | 10 | 12 | 0.08 | 0.96 | 5500 | M | 10.5 | 0.14 | 30 | 3 | B |
| DC0501012L2B | 50 | 10 | 12 | 0.07 | 0.84 | 4500 | L | 8.2 | 0.09 | 25 | 3 | B |
| DC0501012J2B | 50 | 10 | 12 | 0.05 | 0.60 | 3500 | J | 6.7 | 0.05 | 18 | 3 | B |

See page 6 for termination configurations and typical ordering configurations



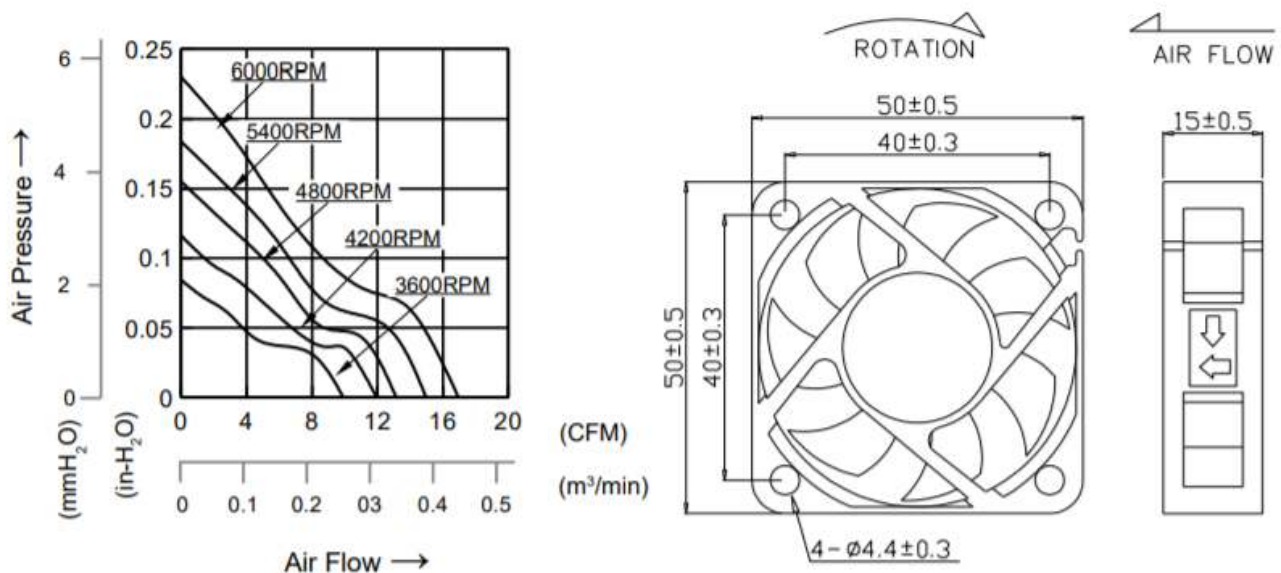
50x50x15mm



- MOTOR : DC single phase brushless motor
- FRAME : PBT (94V-0) ; IMPELLER : PBT(94V-0)
- OPERATING TEMP.: -10°C~70°C
- STORAGE TEMP.: -40°C~70°C
- WEIGHT : 38g
- Dual Ball Bearing
- Lead Length: 300mm +/- 10mm
- 2 Wire: Standard
- 3 Wire: Tach (FG) Optional
- 4 Wire: PWM Optional

| Description | Size (mm) | Thickness (mm) | Rated Voltage (VDC) | Rated Current (A) | Rated Power (W) | Rated Speed (RPM) | Speed Code | Max Airflow (CFM) | Max Pressure (InAq) | Noise Level (dB/A) | Tach | PWM |
|--------------|-----------|----------------|---------------------|-------------------|-----------------|-------------------|------------|-------------------|---------------------|--------------------|------|-----|
| DC0501512U2B | 50 | 15 | 12 | 0.13 | 1.56 | 6000 | U | 17.0 | 0.23 | 36 | 3 | B |
| DC0501512H2B | 50 | 15 | 12 | 0.11 | 1.32 | 5400 | H | 15.0 | 0.18 | 32 | 3 | B |
| DC0501512M2B | 50 | 15 | 12 | 0.09 | 1.08 | 4800 | M | 13.2 | 0.16 | 30 | 3 | B |
| DC0501512L2B | 50 | 15 | 12 | 0.07 | 0.84 | 4200 | L | 12.2 | 0.12 | 27 | 3 | B |
| DC0501512J2B | 50 | 15 | 12 | 0.06 | 0.72 | 3600 | J | 9.9 | 0.08 | 24 | 3 | B |

See page 6 for termination configurations and typical ordering configurations



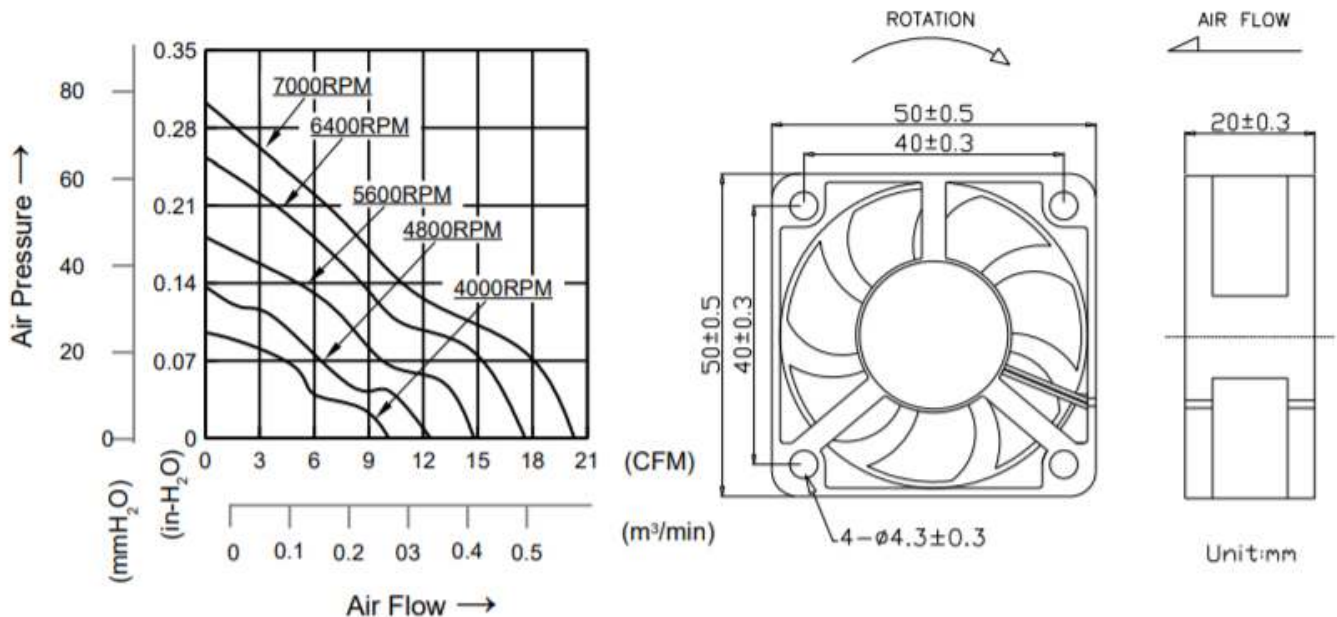
50x50x20mm



- MOTOR : DC single phase brushless motor
- FRAME : PBT (94V-0) ; IMPELLER : PBT(94V-0)
- OPERATING TEMP.: -10°C~70°C
- STORAGE TEMP.: -40°C~70°C
- WEIGHT : 40g
- Dual Ball Bearing
- Lead Length: 300mm +/- 10mm
- 2 Wire: Standard
- 3 Wire: Tach (FG) Optional
- 4 Wire: PWM Optional

| Description | Size (mm) | Thickness (mm) | Rated Voltage (VDC) | Rated Current (A) | Rated Power (W) | Rated Speed (RPM) | Speed Code | Max Airflow (CFM) | Max Pressure (InAq) | Noise Level (dB/A) | Tach | PWM |
|--------------|-----------|----------------|---------------------|-------------------|-----------------|-------------------|------------|-------------------|---------------------|--------------------|------|-----|
| DC0502012H2B | 50 | 20 | 12 | 0.30 | 3.60 | 7000 | H | 20.3 | 0.30 | 38 | 3 | B |
| DC0502012M2B | 50 | 20 | 12 | 0.21 | 2.52 | 6400 | M | 17.6 | 0.25 | 36 | 3 | B |
| DC0502012L2B | 50 | 20 | 12 | 0.15 | 1.80 | 5600 | L | 14.8 | 0.18 | 32 | 3 | B |
| DC0502012J2B | 50 | 20 | 12 | 0.13 | 1.56 | 4800 | J | 12.7 | 0.14 | 28 | 3 | B |
| DC0502012I2B | 50 | 20 | 12 | 0.10 | 1.20 | 4000 | I | 10.1 | 0.10 | 24 | 3 | B |

See page 6 for termination configurations and typical ordering configurations



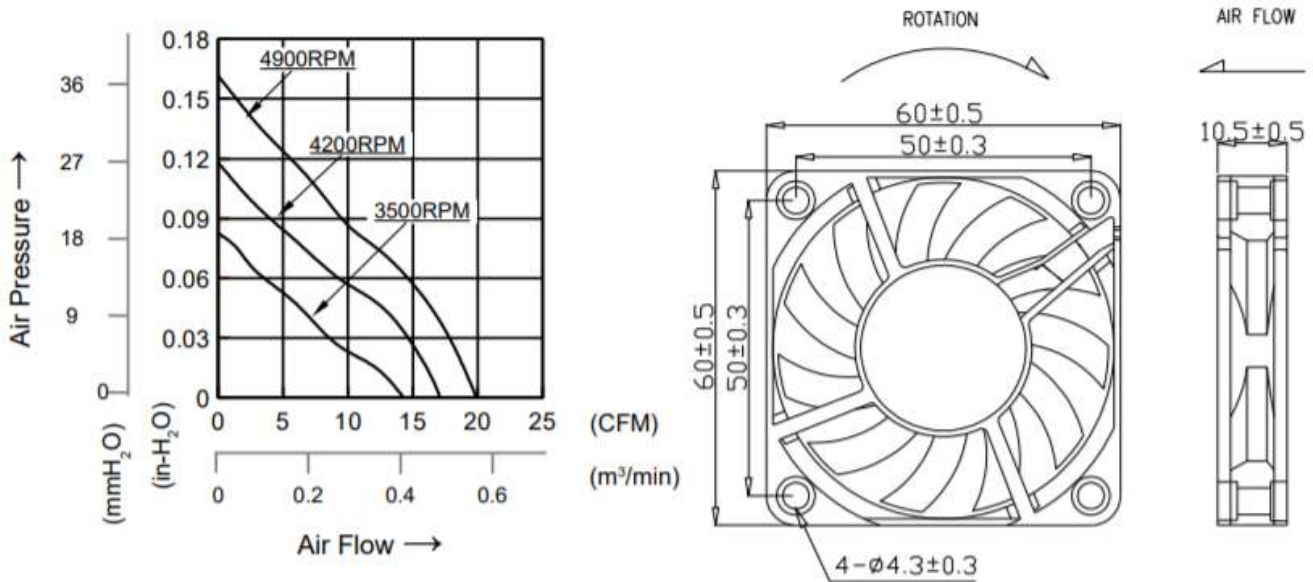
60x60x10mm



- MOTOR : DC single phase brushless motor
- FRAME : PBT (94V-0) ; IMPELLER : PBT(94V-0)
- OPERATING TEMP.: -10°C~70°C
- STORAGE TEMP.: -40°C~70°C
- WEIGHT : 40g
- Dual Ball Bearing
- Lead Length: 300mm +/- 10mm
- 2 Wire: Standard
- 3 Wire: Tach (FG) Optional
- 4 Wire: PWM Optional

| Description | Size (mm) | Thickness (mm) | Rated Voltage (VDC) | Rated Current (A) | Rated Power (W) | Rated Speed (RPM) | Speed Code | Max Airflow (CFM) | Max Pressure (InAq) | Noise Level (dB/A) | Tach | PWM |
|--------------|-----------|----------------|---------------------|-------------------|-----------------|-------------------|------------|-------------------|---------------------|--------------------|------|-----|
| DC0601012U2B | 60 | 10 | 12 | 0.20 | 2.40 | 4900 | U | 19.9 | 0.16 | 37 | 3 | B |
| DC0601012M2B | 60 | 10 | 12 | 0.17 | 2.04 | 4200 | M | 17.1 | 0.12 | 33 | 3 | B |

See page 6 for termination configurations and typical ordering configurations



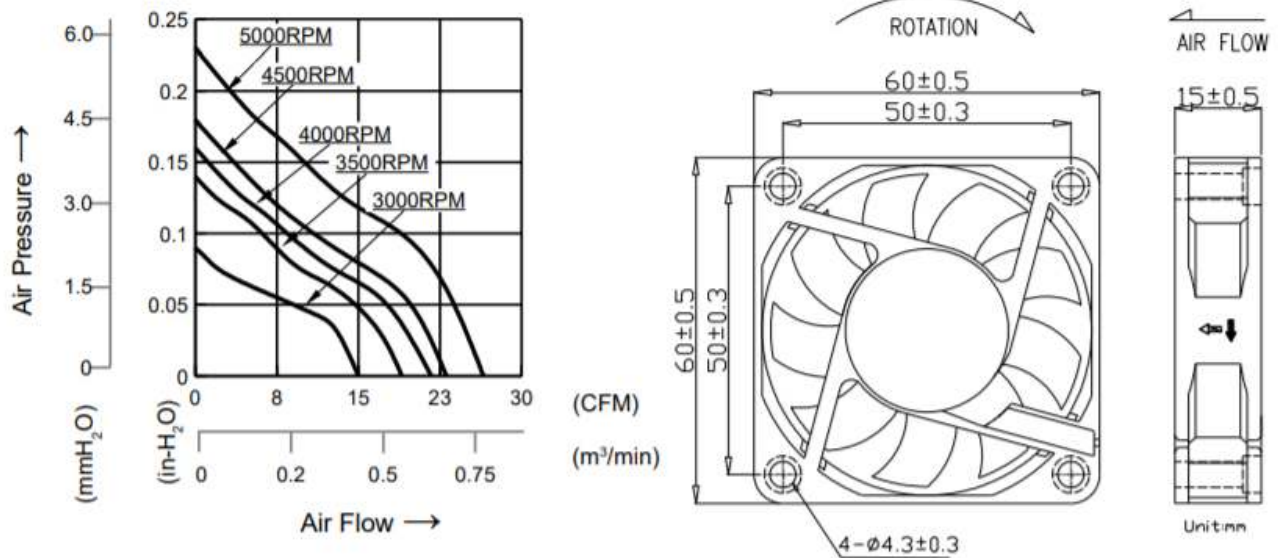
60x60x15mm



- MOTOR : DC single phase brushless motor
- FRAME : PBT (94V-0) ; IMPELLER : PBT(94V-0)
- OPERATING TEMP.: -10°C~70°C
- STORAGE TEMP.: -40°C~70°C
- WEIGHT : 44g
- Dual Ball Bearing
- Lead Length: 300mm +/- 10mm
- 2 Wire: Standard
- 3 Wire: Tach (FG) Optional
- 4 Wire: PWM Optional

| Description | Size (mm) | Thickness (mm) | Rated Voltage (VDC) | Rated Current (A) | Rated Power (W) | Rated Speed (RPM) | Speed Code | Max Airflow (CFM) | Max Pressure (InAq) | Noise Level (dB/A) | Tach | PWM |
|--------------|-----------|----------------|---------------------|-------------------|-----------------|-------------------|------------|-------------------|---------------------|--------------------|------|-----|
| DC0601512U2B | 60 | 15 | 12 | 0.26 | 3.12 | 5000 | U | 26.5 | 0.23 | 37 | 3 | B |
| DC0601512H2B | 60 | 15 | 12 | 0.12 | 1.44 | 4500 | H | 23.1 | 0.18 | 35 | 3 | B |
| DC0601512M2B | 60 | 15 | 12 | 0.10 | 1.20 | 4000 | M | 21.7 | 0.16 | 32 | 3 | B |
| DC0601512L2B | 60 | 15 | 12 | 0.08 | 0.96 | 3500 | L | 19.0 | 0.14 | 29 | 3 | B |
| DC0601512J2B | 60 | 15 | 12 | 0.06 | 0.72 | 3000 | J | 15.0 | 0.09 | 24 | 3 | B |

See page 6 for termination configurations and typical ordering configurations



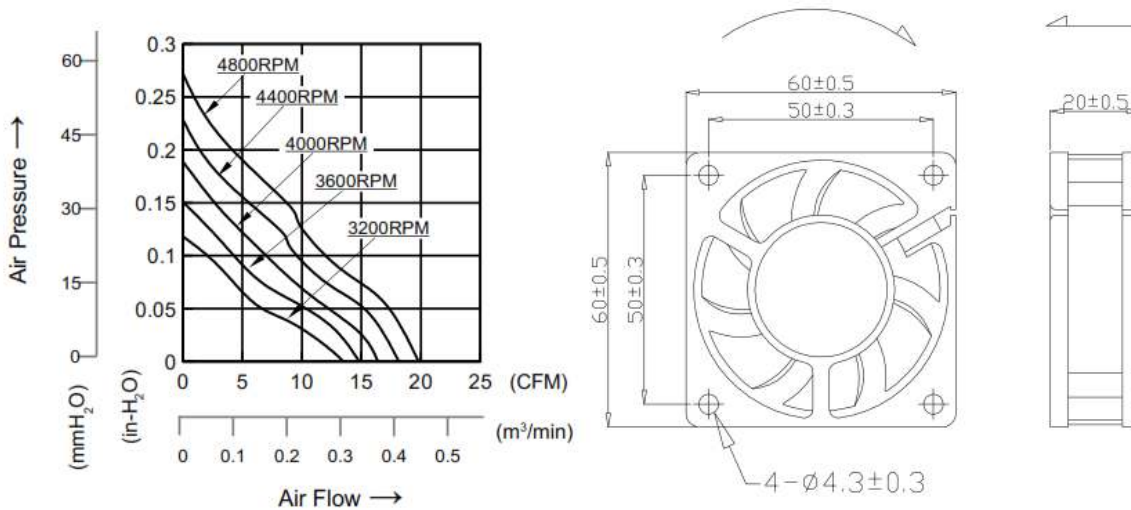
60x60x20mm



- MOTOR : DC single phase brushless motor
- FRAME : PBT (94V-0) ; IMPELLER : PBT(94V-0)
- OPERATING TEMP.: -10°C~70°C
- STORAGE TEMP.: -40°C~70°C
- WEIGHT : 50g
- Dual Ball Bearing
- Lead Length: 300mm +/- 10mm
- 2 Wire: Standard
- 3 Wire: Tach (FG) Optional
- 4 Wire: PWM Optional

| Description | Size (mm) | Thickness (mm) | Rated Voltage (VDC) | Rated Current (A) | Rated Power (W) | Rated Speed (RPM) | Speed Code | Max Airflow (CFM) | Max Pressure (InAq) | Noise Level (dB/A) | Tach | PWM |
|--------------|-----------|----------------|---------------------|-------------------|-----------------|-------------------|------------|-------------------|---------------------|--------------------|------|-----|
| DC0602012U2B | 60 | 20 | 12 | 0.144 | 1.728 | 4800 | U | 19.6 | 0.27 | 33 | 3 | B |
| DC0602012H2B | 60 | 20 | 12 | 0.12 | 1.44 | 4400 | H | 18.1 | 0.23 | 31 | 3 | B |
| DC0602012M2B | 60 | 20 | 12 | 0.11 | 1.32 | 4000 | M | 16.4 | 0.19 | 29 | 3 | B |
| DC0602012L2B | 60 | 20 | 12 | 0.09 | 1.08 | 3600 | L | 14.8 | 0.15 | 26 | 3 | B |
| DC0602012J2B | 60 | 20 | 12 | 0.07 | 0.84 | 3200 | J | 13.5 | 0.12 | 24 | 3 | B |

See page 6 for termination configurations and typical ordering configurations



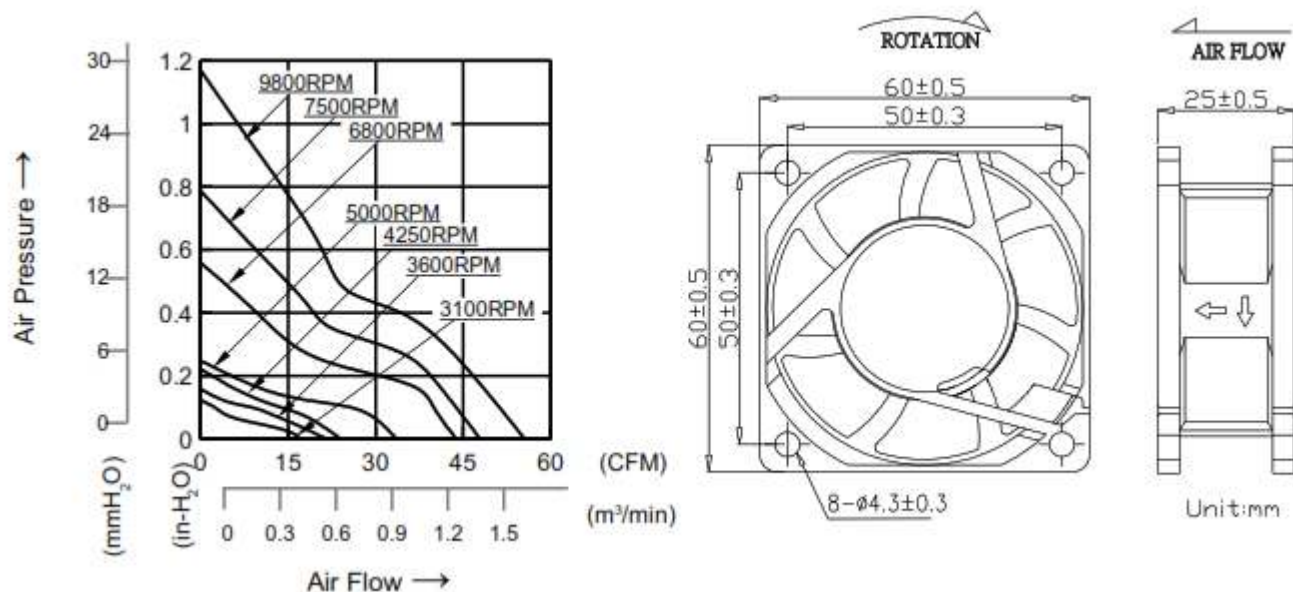
60x60x25mm



- MOTOR : DC single phase brushless motor
- FRAME : PBT (94V-0) ; IMPELLER : PBT(94V-0)
- OPERATING TEMP.: -10°C~70°C
- STORAGE TEMP.: -40°C~70°C
- WEIGHT : 57g
- Dual Ball Bearing
- Lead Length: 300mm +/- 10mm
- 2 Wire: Standard
- 3 Wire: Tach (FG) Optional
- 4 Wire: PWM Optional

| Description | Size (mm) | Thickness (mm) | Rated Voltage (VDC) | Rated Current (A) | Rated Power (W) | Rated Speed (RPM) | Speed Code | Max Airflow (CFM) | Max Pressure (InAq) | Noise Level (dB/A) | Tach | PWM |
|--------------|-----------|----------------|---------------------|-------------------|-----------------|-------------------|------------|-------------------|---------------------|--------------------|------|-----|
| DC0602512W2B | 60 | 25 | 12 | 0.54 | 6.48 | 9800 | W | 55.5 | 1.17 | 66 | 3 | B |
| DC0602512V2B | 60 | 25 | 12 | 0.48 | 5.76 | 7500 | V | 47.9 | 0.79 | 63 | 3 | B |
| DC0602512U2B | 60 | 25 | 12 | 0.45 | 5.40 | 6800 | U | 43.8 | 0.56 | 56 | 3 | B |
| DC0602512H2B | 60 | 25 | 12 | 0.28 | 3.36 | 5000 | H | 33.6 | 0.25 | 40 | 3 | B |
| DC0602512M2B | 60 | 25 | 12 | 0.15 | 1.80 | 4250 | M | 24.0 | 0.22 | 34 | 3 | B |
| DC0602512L2B | 60 | 25 | 12 | 0.12 | 1.44 | 3600 | L | 21.5 | 0.16 | 31 | 3 | B |
| DC0602512J2B | 60 | 25 | 12 | 0.20 | 2.40 | 3100 | J | 17.1 | 0.12 | 26 | 3 | B |

See page 6 for termination configurations and typical ordering configurations



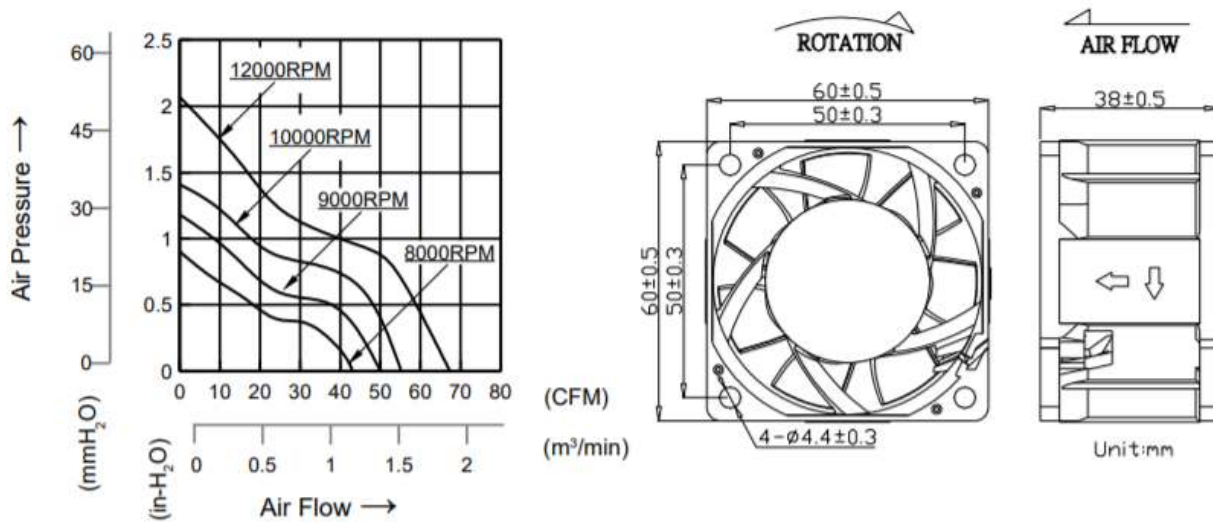
60x60x38mm



- MOTOR : DC single phase brushless motor
- FRAME : PBT (94V-0) ; IMPELLER : PBT(94V-0)
- OPERATING TEMP.: -10°C~70°C
- STORAGE TEMP.: -40°C~70°C
- WEIGHT : 145g
- Dual Ball Bearing
- Lead Length: 300mm +/- 10mm
- 2 Wire: Standard
- 3 Wire: Tach (FG) Optional
- 4 Wire: PWM Optional

| Description | Size (mm) | Thickness (mm) | Rated Voltage (VDC) | Rated Current (A) | Rated Power (W) | Rated Speed (RPM) | Speed Code | Max Airflow (CFM) | Max Pressure (InAq) | Noise Level (dB/A) | Tach | PWM |
|--------------|-----------|----------------|---------------------|-------------------|-----------------|-------------------|------------|-------------------|---------------------|--------------------|------|-----|
| DC0603812M2B | 60 | 38 | 12 | 1.38 | 16.56 | 12000 | M | 67.3 | 2.07 | 62 | 3 | B |
| DC0603812L2B | 60 | 38 | 12 | 1.00 | 12.00 | 10000 | L | 55.2 | 1.41 | 57 | 3 | B |
| DC0603812J2B | 60 | 38 | 12 | 0.68 | 8.16 | 9000 | J | 50.8 | 1.19 | 54 | 3 | B |
| DC0603812I2B | 60 | 38 | 12 | 0.52 | 6.24 | 8000 | I | 43.1 | 0.90 | 51 | 3 | B |

See page 6 for termination configurations and typical ordering configurations



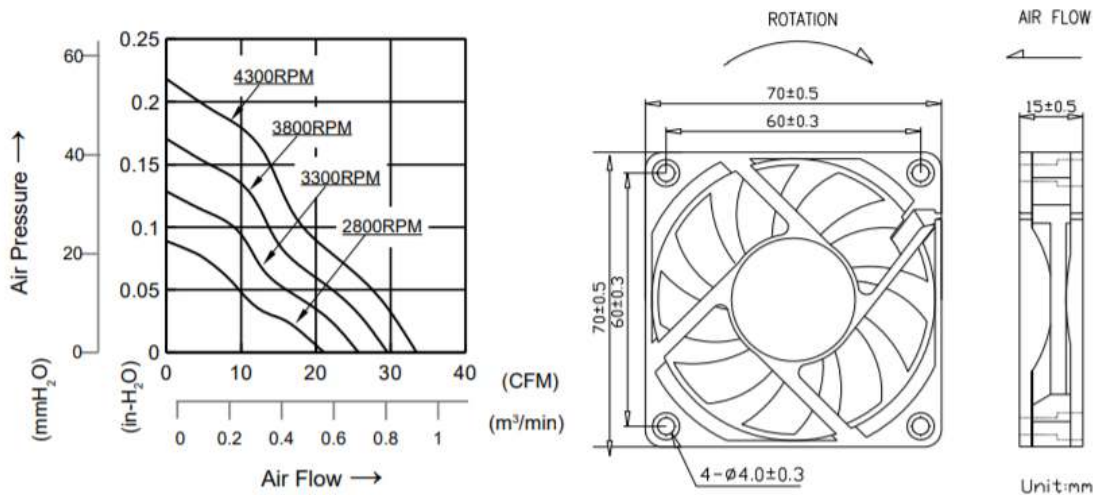
70x70x15mm



- MOTOR : DC single phase brushless motor
- FRAME : PBT (94V-0) ; IMPELLER : PBT(94V-0)
- OPERATING TEMP.: -10°C~70°C
- STORAGE TEMP.: -40°C~70°C
- WEIGHT : 145g
- Dual Ball Bearing
- Lead Length: 300mm +/- 10mm
- 2 Wire: Standard
- 3 Wire: Tach (FG) Optional
- 4 Wire: PWM Optional

| Description | Size (mm) | Thickness (mm) | Rated Voltage (VDC) | Rated Current (A) | Rated Power (W) | Rated Speed (RPM) | Speed Code | Max Airflow (CFM) | Max Pressure (InAq) | Noise Level (dB/A) | Tach | PWM |
|--------------|-----------|----------------|---------------------|-------------------|-----------------|-------------------|------------|-------------------|---------------------|--------------------|------|-----|
| DC0701512H2B | 70 | 15 | 12 | 0.25 | 3.00 | 4300 | H | 33.5 | 0.22 | 39 | 3 | B |
| DC0701512M2B | 70 | 15 | 12 | 0.17 | 2.04 | 3800 | M | 29.6 | 0.17 | 35 | 3 | B |
| DC0701512L2B | 70 | 15 | 12 | 0.12 | 1.44 | 3300 | L | 25.7 | 0.13 | 31 | 3 | B |
| DC0701512J2B | 70 | 15 | 12 | 0.10 | 1.20 | 2800 | J | 21.1 | 0.09 | 27 | 3 | B |

See page 6 for termination configurations and typical ordering configurations



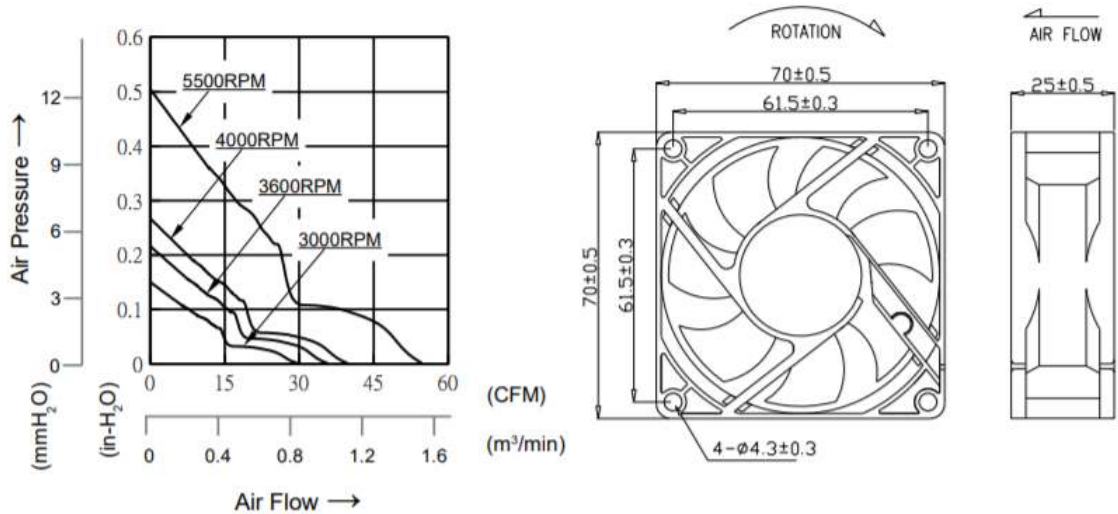
70x70x25mm



- MOTOR : DC single phase brushless motor
- FRAME : PBT (94V-0) ; IMPELLER : PBT(94V-0)
- OPERATING TEMP.: -10°C~70°C
- STORAGE TEMP.: -40°C~70°C
- WEIGHT : 50g
- Dual Ball Bearing
- Lead Length: 300mm +/- 10mm
- 2 Wire: Standard
- 3 Wire: Tach (FG) Optional
- 4 Wire: PWM Optional

| Description | Size (mm) | Thickness (mm) | Rated Voltage (VDC) | Rated Current (A) | Rated Power (W) | Rated Speed (RPM) | Speed Code | Max Airflow (CFM) | Max Pressure (InAq) | Noise Level (dB/A) | Tach | PWM |
|--------------|-----------|----------------|---------------------|-------------------|-----------------|-------------------|------------|-------------------|---------------------|--------------------|------|-----|
| DC0702512U2B | 70 | 25 | 12 | 0.27 | 3.24 | 5500 | U | 54.8 | 0.50 | 45 | 3 | B |
| DC0702512H2B | 70 | 25 | 12 | 0.13 | 1.56 | 4000 | H | 39.9 | 0.27 | 37 | 3 | B |
| DC0702512M2B | 70 | 25 | 12 | 0.09 | 1.08 | 3600 | M | 35.6 | 0.22 | 32 | 3 | B |
| DC0702512L2B | 70 | 25 | 12 | 0.07 | 0.84 | 3000 | L | 30.0 | 0.15 | 27 | 3 | B |

See page 6 for termination configurations and typical ordering configurations



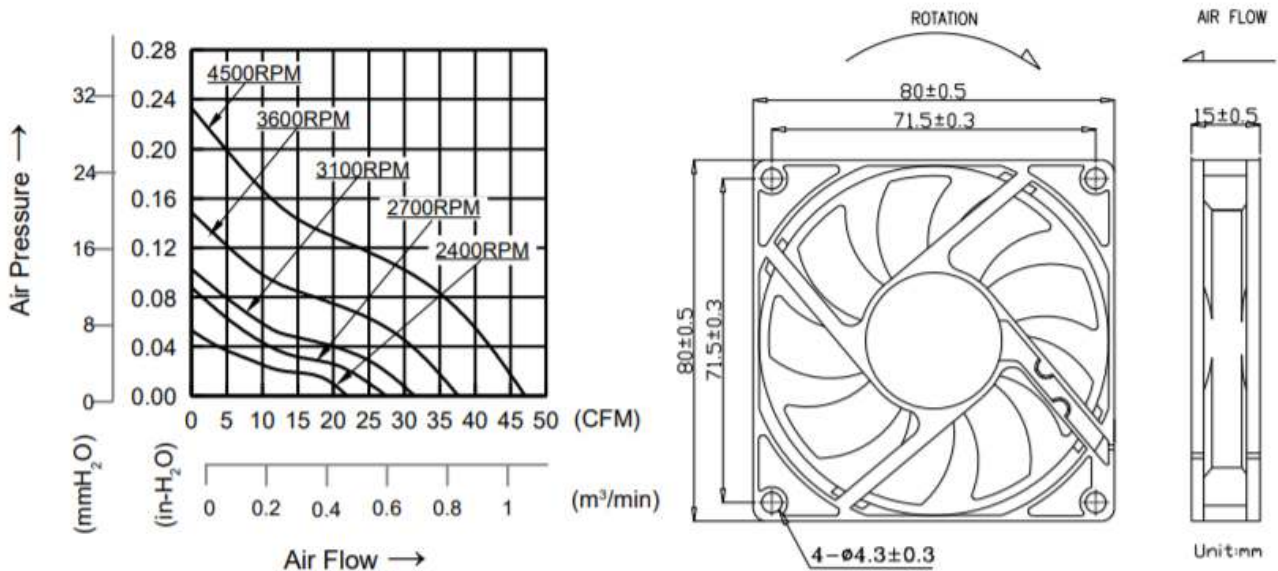
80x80x15mm



- MOTOR : DC single phase brushless motor
- FRAME : PBT (94V-0) ; IMPELLER : PBT(94V-0)
- OPERATING TEMP.: -10°C~70°C
- STORAGE TEMP.: -40°C~70°C
- WEIGHT : 54g
- Dual Ball Bearing
- Lead Length: 300mm +/- 10mm
- 2 Wire: Standard
- 3 Wire: Tach (FG) Optional
- 4 Wire: PWM Optional

| Description | Size (mm) | Thickness (mm) | Rated Voltage (VDC) | Rated Current (A) | Rated Power (W) | Rated Speed (RPM) | Speed Code | Max Airflow (CFM) | Max Pressure (InAq) | Noise Level (dB/A) | Tach | PWM |
|--------------|-----------|----------------|---------------------|-------------------|-----------------|-------------------|------------|-------------------|---------------------|--------------------|------|-----|
| DC0801512U2B | 80 | 15 | 12 | 0.48 | 5.76 | 4500 | U | 45.2 | 0.21 | 43 | 3 | B |
| DC0801512H2B | 80 | 15 | 12 | 0.16 | 1.92 | 3600 | H | 37.6 | 0.15 | 36 | 3 | B |
| DC0801512M2B | 80 | 15 | 12 | 0.12 | 1.44 | 3100 | M | 31.5 | 0.10 | 32 | 3 | B |
| DC0801512L2B | 80 | 15 | 12 | 0.10 | 1.20 | 2700 | L | 27.5 | 0.09 | 30 | 3 | B |
| DC0801512J2B | 80 | 15 | 12 | 0.06 | 0.72 | 2400 | J | 22.0 | 0.05 | 25 | 3 | B |

See page 6 for termination configurations and typical ordering configurations



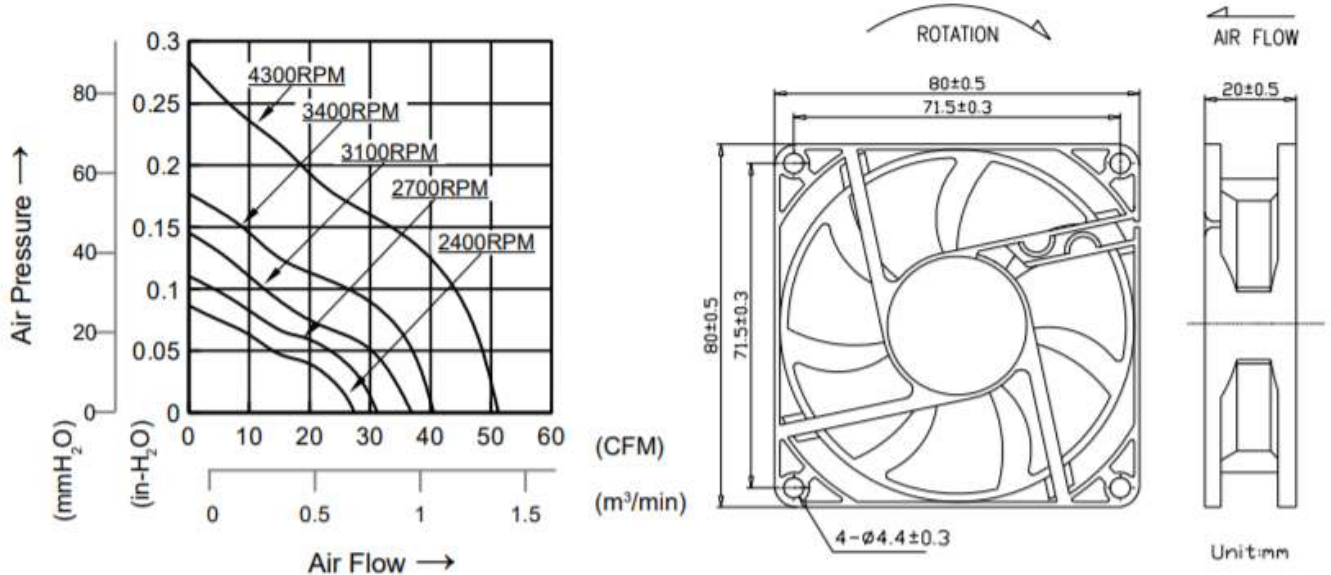
80x80x20mm



- MOTOR : DC single phase brushless motor
- FRAME : PBT (94V-0) ; IMPELLER : PBT(94V-0)
- OPERATING TEMP.: -10°C~70°C
- STORAGE TEMP.: -40°C~70°C
- WEIGHT : 76g
- Dual Ball Bearing
- Lead Length: 300mm +/- 10mm
- 2 Wire: Standard
- 3 Wire: Tach (FG) Optional
- 4 Wire: PWM Optional

| Description | Size (mm) | Thickness (mm) | Rated Voltage (VDC) | Rated Current (A) | Rated Power (W) | Rated Speed (RPM) | Speed Code | Max Airflow (CFM) | Max Pressure (InAq) | Noise Level (dB/A) | Tach | PWM |
|--------------|-----------|----------------|---------------------|-------------------|-----------------|-------------------|------------|-------------------|---------------------|--------------------|------|-----|
| DC0802012U2B | 80 | 20 | 12 | 0.30 | 3.60 | 4300 | U | 51.2 | 0.28 | 43 | 3 | B |
| DC0802012H2B | 80 | 20 | 12 | 0.24 | 2.88 | 3400 | H | 40.5 | 0.18 | 36 | 3 | B |
| DC0802012M2B | 80 | 20 | 12 | 0.18 | 2.16 | 3100 | M | 36.9 | 0.15 | 34 | 3 | B |
| DC0802012L2B | 80 | 20 | 12 | 0.16 | 1.92 | 2700 | L | 31.2 | 0.11 | 29 | 3 | B |
| DC0802012J2B | 80 | 20 | 12 | 0.13 | 1.56 | 2400 | J | 27.4 | 0.09 | 25 | 3 | B |

See page 6 for termination configurations and typical ordering configurations



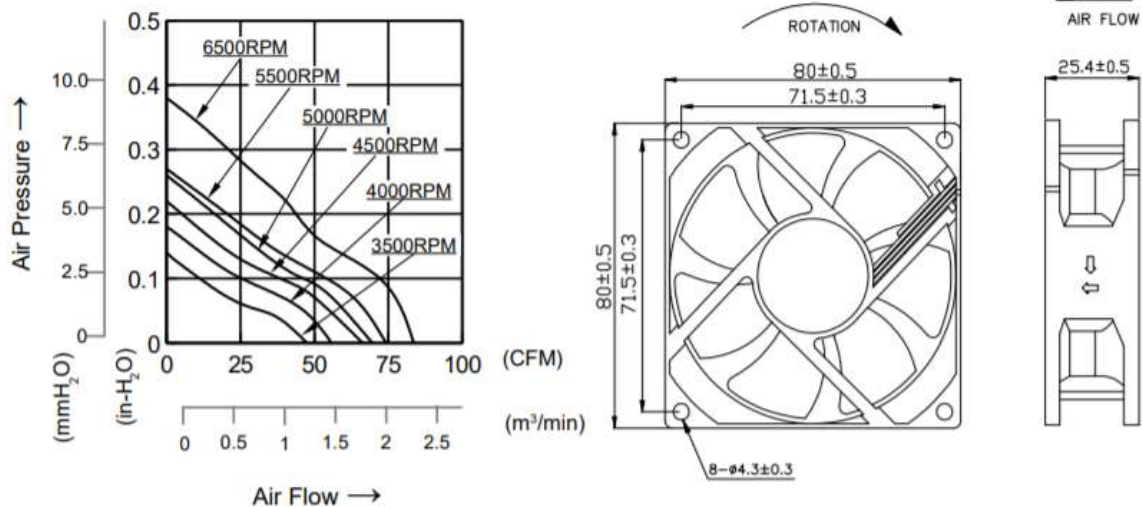
80x80x25mm



- MOTOR : DC single phase brushless motor
- FRAME : PBT (94V-0) ; IMPELLER : PBT(94V-0)
- OPERATING TEMP.: -10°C~70°C
- STORAGE TEMP.: -40°C~70°C
- WEIGHT : 85g
- Dual Ball Bearing
- Lead Length: 300mm +/- 10mm
- 2 Wire: Standard
- 3 Wire: Tach (FG) Optional
- 4 Wire: PWM Optional

| Description | Size (mm) | Thickness (mm) | Rated Voltage (VDC) | Rated Current (A) | Rated Power (W) | Rated Speed (RPM) | Speed Code | Max Airflow (CFM) | Max Pressure (InAq) | Noise Level (dB/A) | Tach | PWM |
|--------------|-----------|----------------|---------------------|-------------------|-----------------|-------------------|------------|-------------------|---------------------|--------------------|------|-----|
| DC0802512U2B | 80 | 25 | 12 | 0.73 | 8.76 | 6500 | U | 83.6 | 0.38 | 50 | 3 | B |
| DC0802512H2B | 80 | 25 | 12 | 0.48 | 5.76 | 5500 | H | 74.3 | 0.27 | 46 | 3 | B |
| DC0802512M2B | 80 | 25 | 12 | 0.25 | 3.00 | 5000 | M | 69.9 | 0.26 | 44 | 3 | B |
| DC0802512L2B | 80 | 25 | 12 | 0.20 | 2.40 | 4500 | L | 66.4 | 0.22 | 42 | 3 | B |
| DC0802512I2B | 80 | 25 | 12 | 0.13 | 1.56 | 4000 | I | 55.8 | 0.18 | 37 | 3 | B |
| DC0802512J2B | 80 | 25 | 12 | 0.15 | 1.80 | 3500 | J | 47.5 | 0.14 | 35 | 3 | B |

See page 6 for termination configurations and typical ordering configurations



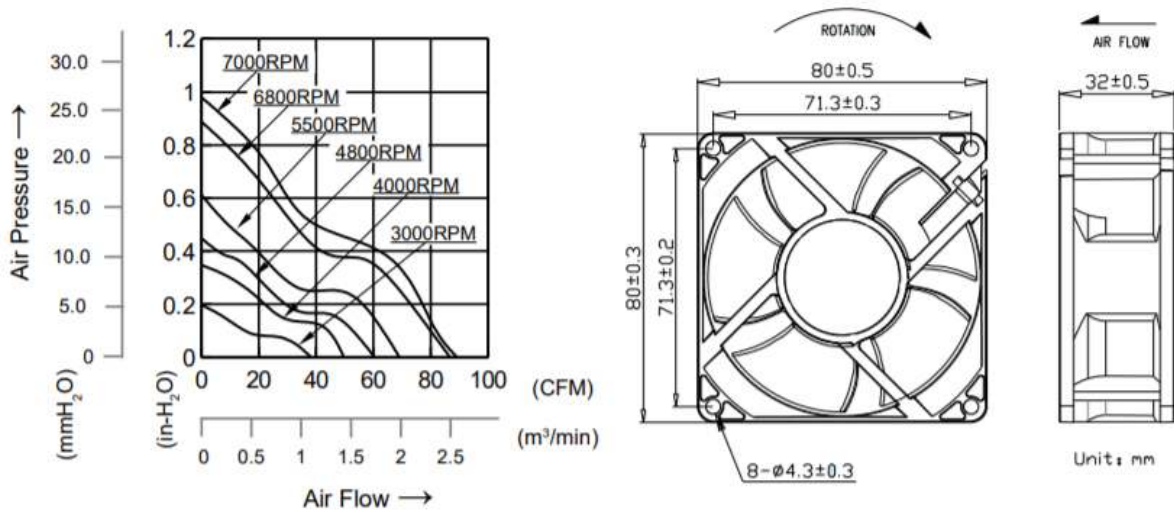
80x80x32mm



- MOTOR : DC single phase brushless motor
- FRAME : PBT (94V-0) ; IMPELLER : PBT(94V-0)
- OPERATING TEMP.: -10°C~70°C
- STORAGE TEMP.: -40°C~70°C
- WEIGHT : 120g
- Dual Ball Bearing
- Lead Length: 300mm +/- 10mm
- 2 Wire: Standard
- 3 Wire: Tach (FG) Optional
- 4 Wire: PWM Optional

| Description | Size (mm) | Thickness (mm) | Rated Voltage (VDC) | Rated Current (A) | Rated Power (W) | Rated Speed (RPM) | Speed Code | Max Airflow (CFM) | Max Pressure (InAq) | Noise Level (dB/A) | Tach | PWM |
|--------------|-----------|----------------|---------------------|-------------------|-----------------|-------------------|------------|-------------------|---------------------|--------------------|------|-----|
| DC0803212W2B | 80 | 32 | 12 | 0.95 | 11.4 | 6800 | W | 86.7 | 0.89 | 54 | 3 | B |
| DC0803212H2B | 80 | 32 | 12 | 0.50 | 6.0 | 5500 | H | 69.1 | 0.61 | 48 | 3 | B |
| DC0803212M2B | 80 | 32 | 12 | 0.35 | 4.2 | 4800 | M | 60.4 | 0.45 | 45 | 3 | B |
| DC0803212L2B | 80 | 32 | 12 | 0.20 | 2.4 | 4000 | L | 49.7 | 0.35 | 39 | 3 | B |
| DC0803212J2B | 80 | 32 | 12 | 0.15 | 1.8 | 3000 | J | 38.2 | 0.20 | 31 | 3 | B |

See page 6 for termination configurations and typical ordering configurations



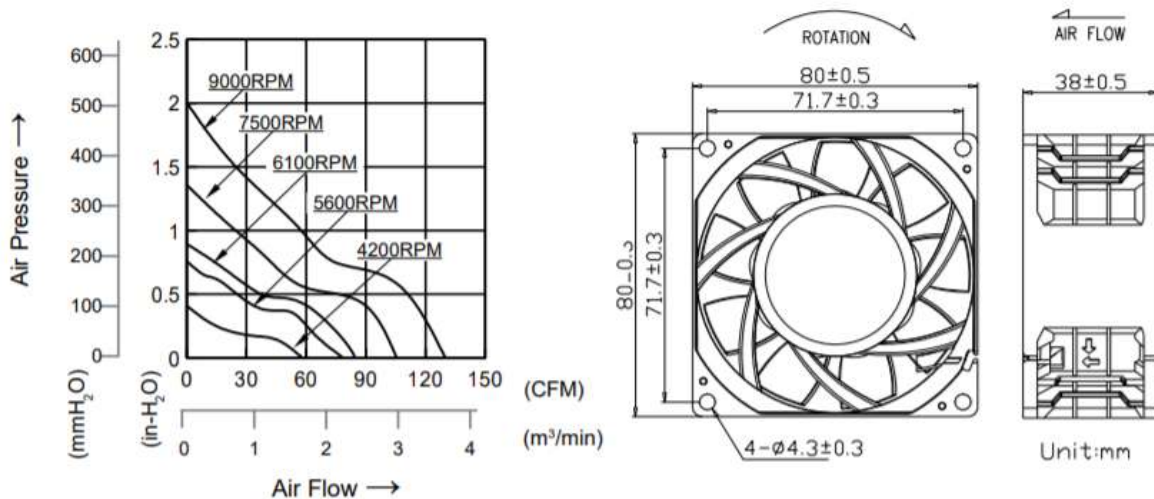
80x80x38mm



- MOTOR : DC single phase brushless motor
- FRAME : PBT (94V-0) ; IMPELLER : PBT(94V-0)
- OPERATING TEMP.: -10°C~70°C
- STORAGE TEMP.: -40°C~70°C
- WEIGHT : 210g
- Dual Ball Bearing
- Lead Length: 300mm +/- 10mm
- 2 Wire: Standard
- 3 Wire: Tach (FG) Optional
- 4 Wire: PWM Optional

| Description | Size (mm) | Thickness (mm) | Rated Voltage (VDC) | Rated Current (A) | Rated Power (W) | Rated Speed (RPM) | Speed Code | Max Airflow (CFM) | Max Pressure (InAq) | Noise Level (dB/A) | Tach | PWM |
|--------------|-----------|----------------|---------------------|-------------------|-----------------|-------------------|------------|-------------------|---------------------|--------------------|------|-----|
| DC0803812V2B | 80 | 38 | 12 | 2.70 | 32.40 | 9000 | V | 130.0 | 2.00 | 66 | 3 | B |
| DC0803812U2B | 80 | 38 | 12 | 1.50 | 18.00 | 7500 | U | 105.5 | 1.36 | 62 | 3 | B |
| DC0803812H2B | 80 | 38 | 12 | 1.00 | 12.00 | 6100 | H | 84.8 | 0.89 | 56 | 3 | B |
| DC0803812M2B | 80 | 38 | 12 | 0.76 | 9.12 | 5600 | M | 78.8 | 0.76 | 53 | 3 | B |
| DC0803812L2B | 80 | 38 | 12 | 0.40 | 4.80 | 4200 | L | 58.2 | 0.41 | 45 | 3 | B |

See page 6 for termination configurations and typical ordering configurations



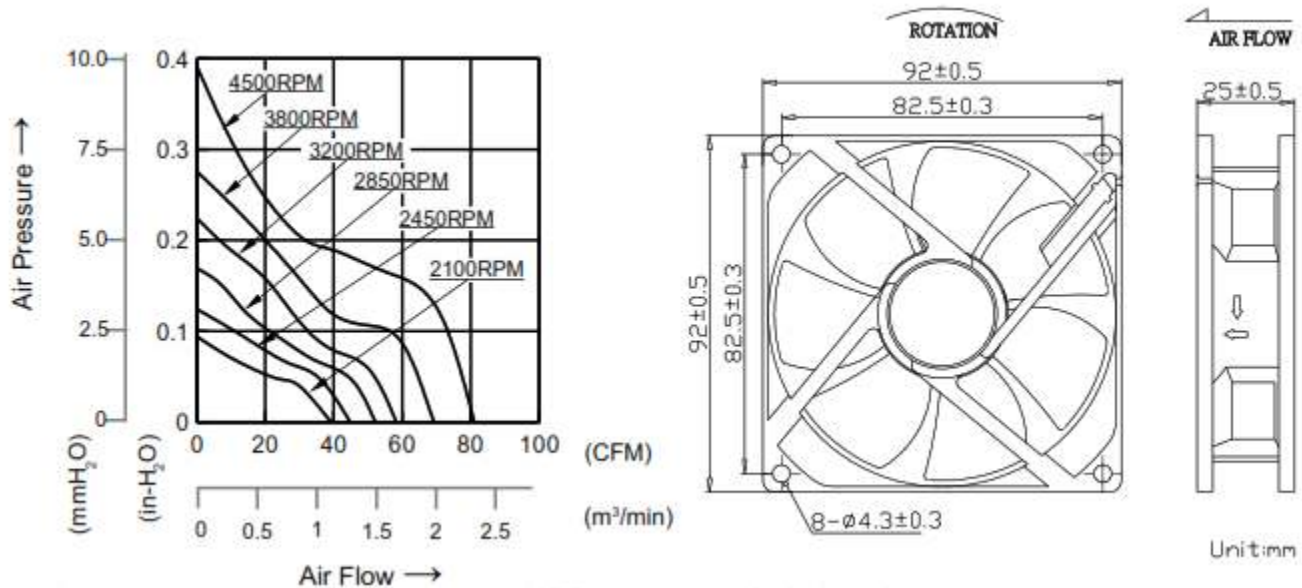
92x92x25mm



- MOTOR : DC single phase brushless motor
- FRAME : PBT (94V-0) ; IMPELLER : PBT(94V-0)
- OPERATING TEMP.: -10°C~70°C
- STORAGE TEMP.: -40°C~70°C
- WEIGHT : 85g
- Dual Ball Bearing
- Lead Length: 300mm +/- 10mm
- 2 Wire: Standard
- 3 Wire: Tach (FG) Optional
- 4 Wire: PWM Optional

| Description | Size (mm) | Thickness (mm) | Rated Voltage (VDC) | Rated Current (A) | Rated Power (W) | Rated Speed (RPM) | Speed Code | Max Airflow (CFM) | Max Pressure (InAq) | Noise Level (dB/A) | Tach | PWM |
|--------------|-----------|----------------|---------------------|-------------------|-----------------|-------------------|------------|-------------------|---------------------|--------------------|------|-----|
| DC0922512V2B | 92 | 25 | 12 | 0.41 | 4.92 | 4500 | V | 81.0 | 0.40 | 49 | 3 | B |
| DC0922512U2B | 92 | 25 | 12 | 0.30 | 3.60 | 3800 | U | 69.2 | 0.28 | 45 | 3 | B |
| DC0922512H2B | 92 | 25 | 12 | 0.20 | 2.40 | 3200 | H | 58.3 | 0.22 | 38 | 3 | B |
| DC0922512M2B | 92 | 25 | 12 | 0.14 | 1.68 | 2850 | M | 52.1 | 0.17 | 34 | 3 | B |
| DC0922512L2B | 92 | 25 | 12 | 0.11 | 1.32 | 2450 | L | 44.8 | 0.12 | 30 | 3 | B |
| DC0922512J2B | 92 | 25 | 12 | 0.09 | 1.08 | 2100 | J | 39.2 | 0.09 | 25 | 3 | B |

See page 6 for termination configurations and typical ordering configurations



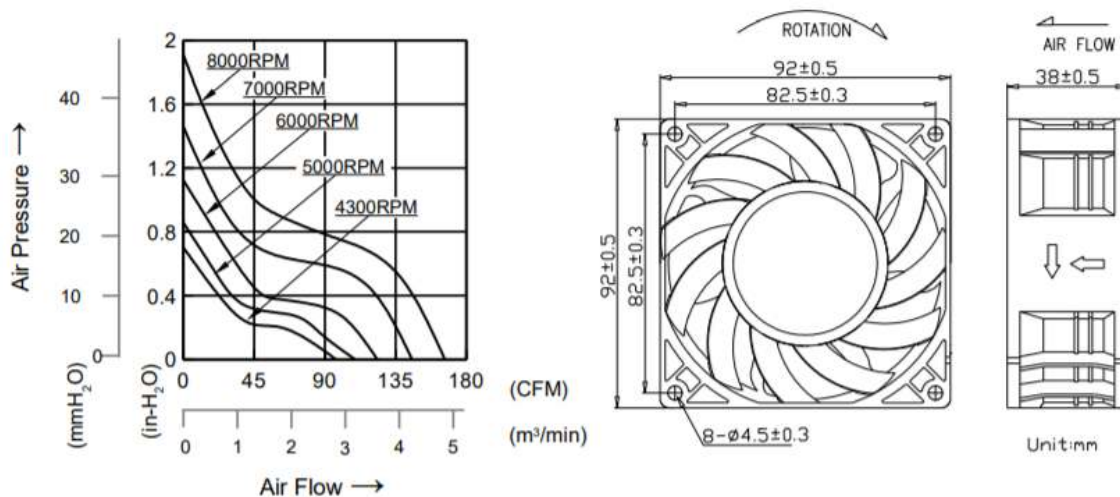
92x92x38mm



- MOTOR : DC single phase brushless motor
- FRAME : PBT (94V-0) ; IMPELLER : PBT(94V-0)
- OPERATING TEMP.: -10°C~70°C
- STORAGE TEMP.: -40°C~70°C
- WEIGHT : 200g
- Dual Ball Bearing
- Lead Length: 300mm +/- 10mm
- 2 Wire: Standard
- 3 Wire: Tach (FG) Optional
- 4 Wire: PWM Optional

| Description | Size (mm) | Thickness (mm) | Rated Voltage (VDC) | Rated Current (A) | Rated Power (W) | Rated Speed (RPM) | Speed Code | Max Airflow (CFM) | Max Pressure (InAq) | Noise Level (dB/A) | Tach | PWM |
|--------------|-----------|----------------|---------------------|-------------------|-----------------|-------------------|------------|-------------------|---------------------|--------------------|------|-----|
| DC0923812V2B | 92 | 38 | 12 | 2.95 | 35.4 | 8000 | V | 166.4 | 1.91 | 72 | 3 | B |
| DC0923812U2B | 92 | 38 | 12 | 2.50 | 30.0 | 7000 | U | 145.6 | 1.46 | 67 | 3 | B |
| DC0923812H2B | 92 | 38 | 12 | 1.20 | 14.4 | 6000 | H | 123.4 | 1.12 | 64 | 3 | B |
| DC0923812M2B | 92 | 38 | 12 | 0.90 | 10.8 | 5000 | M | 109.2 | 0.86 | 58 | 3 | B |
| DC0923812L2B | 92 | 38 | 12 | 0.50 | 6.0 | 4300 | L | 97.1 | 0.70 | 52 | 3 | B |

See page 6 for termination configurations and typical ordering configurations



120x120x25mm



- MOTOR : DC single phase brushless motor
- FRAME : PBT (94V-0) ; IMPELLER : PBT(94V-0)
- OPERATING TEMP.: -10°C~70°C
- STORAGE TEMP.: -40°C~70°C
- WEIGHT : 230g
- Dual Ball Bearing
- Lead Length: 300mm +/- 10mm
- 2 Wire: Standard
- 3 Wire: Tach (FG) Optional
- 4 Wire: PWM Optional

| Description | Size (mm) | Thickness (mm) | Rated Voltage (VDC) | Rated Current (A) | Rated Power (W) | Rated Speed (RPM) | Speed Code | Max Airflow (CFM) | Max Pressure (InAq) | Noise Level (dB/A) | Tach | PWM |
|--------------|-----------|----------------|---------------------|-------------------|-----------------|-------------------|------------|-------------------|---------------------|--------------------|------|-----|
| DC1202512V2B | 120 | 25 | 12 | 0.65 | 7.80 | 4000 | V | 121.10 | 0.51 | 52 | 3 | B |
| DC1202512U2B | 120 | 25 | 12 | 0.62 | 7.44 | 3700 | U | 114.80 | 0.46 | 50 | 3 | B |
| DC1202512H2B | 120 | 25 | 12 | 0.50 | 6.00 | 3400 | H | 103.90 | 0.40 | 47 | 3 | B |
| DC1202512M2B | 120 | 25 | 12 | 0.48 | 5.76 | 2800 | M | 86.70 | 0.28 | 42 | 3 | B |
| DC1202512L2B | 120 | 25 | 12 | 0.30 | 3.60 | 2500 | L | 77.20 | 0.23 | 39 | 3 | B |
| DC1202512J2B | 120 | 25 | 12 | 0.20 | 2.40 | 2100 | J | 67.70 | 0.17 | 35 | 3 | B |

See page 6 for termination configurations and typical ordering configurations

