

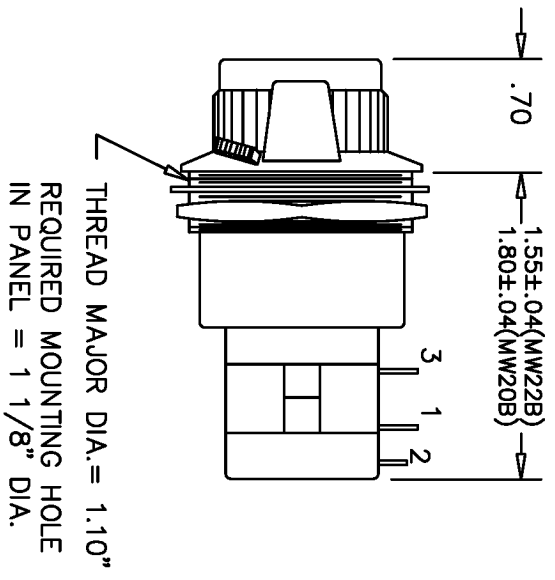
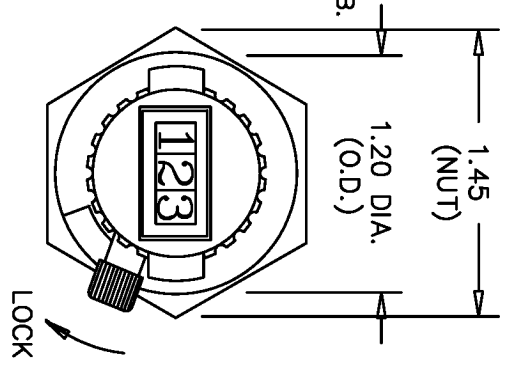
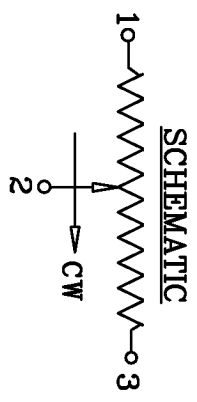
SPECIFICATIONS

RESISTANCE RANGE	100 TO 100K OHMS
RESISTANCE TOLERANCE	±5%
ACCURACY	±0.35% OF VOLTAGE RATIO
REPEATABILITY	±0.02% OR RESOLUTION OF POT
RESOLUTION	SEE POT SPECIFICATIONS
POWER RATING	2 WATTS
OPERATING TEMPERATURE	-30°C TO +85°C
TEMPERATURE COEFFICIENT	±20 PPM/°C
URNS	10 (000 TO 999 COUNTS)
TERMINALS	GOLD PLATED LUGS
LOCK	OVER THE CENTER
HOUSING MATERIAL	HIGH TEMP. BLACK PLASTIC

NOTES:

1. USE ETI SYSTEMS POTENTIOMETERS MODEL MW20B OR MW22B.
2. POTENTIOMETERS MAY BE 3,5,10 TURNS.
ALSO MULTIPLE GANGS.
3. DIAL AVAILABLE WITHOUT POT, ASK FOR DC27FL.
4. THREADS WILL ACCEPT PANEL THICKNESS OF 3/16 MAX.
5. SEE POTENTIOMETER CATALOG FOR ADDITIONAL SPECIFICATIONS.

*MODEL WITH MW20B IS DC20.



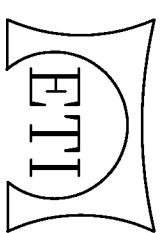
REV.	BY	DATE	PART NO.
			DC22

SCALE	NONE
DATE:	4-5-88
BY	

THIS DOCUMENT CONTAINS PROPRIETARY DATA OF POLARIS INDUSTRIAL ENTERPRISES, INC. NO DISCLOSURE, REPRODUCTION, OR USE OF ANY PART THERE OF MAY BE MADE EXCEPT BY WRITTEN PERMISSION.

APPRVD	BT
CODE IDENT:	19477

TITLE
POT/DIAL
COMBINATION



SYSTEMS
CARLSBAD
CALIFORNIA
PART NO.
DC22

TOLERANCES
XX = +/- .010" FRACT. = +/- 1/64"
XXX = +/- .005" ANGLES = +/- 1/2°
ALL SPECIFICATIONS SUBJECT TO CHANGE WITHOUT NOTICE.